


Quick Reference for the 4-Port PoweredUSB 2.0 Hub with External Power Supply

010807

Installation information

The USB Driver for this Hub is included in the Windows 2000 operating system. For correct initial enumeration, plug an HID-compliant mouse into the lower USB portion of one port prior to plugging the hub into the Host PC.

 Windows XP Service Pack 2 includes the updated drivers for this Hub. You can download the *Operations Guide for the 4-Port PoweredUSB 2.0 Hub*, which includes information on the Windows XP setup, from the 4-Port PoweredUSB 2.0 Hub product page at the following website:

<http://www.cyberdata.net/products/retail/usb/usb4porthub/docs.html>

Product components list

- (1) CyberData 4-Port PoweredUSB 2.0 Hub
- (1) Hub External power supply
- (1) Quick Reference for the PoweredUSB 2.0 Hub with External Power Supply
- (1) Accessory Kit:
 - (1) Short USB 2.0 Hi-Speed host cable
 - (1) Host USB cable strain relief clamp

Contact CyberData

- 4 Port PoweredUSB 2.0 Hub Product page:
<http://www.cyberdata.net/products/retail/usb/usb4porthub/index.html>
- CyberData Sales URL for cables and connectors:
<http://www.cyberdata.net/products/cables/usb4porthub/index.html>
- Phone: (831) 373-2601
- Technical Support
If you need to contact Technical Support, please use our Technical Support Form at the following website address to expedite any product questions that you may have:
<http://www.cyberdata.net/support/contactsupportretail.html>
- Corporate Web Site URL: www.cyberdata.net
- Fax: (831) 373-4193
- Address: CyberData Corporation, 3 Justin Court, Monterey, CA 93940
- Service, warranty, and Return Materials Authorizations
If you need service or an RMA, please contact technical support for authorization by filling out the Retail support form at: <http://www.cyberdata.net/support/contactsupportretail.html>

Figure 1: USB Host "B" connector and cable strain relief

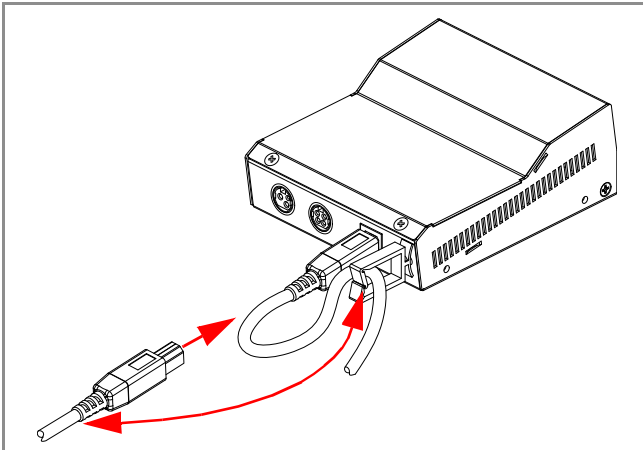


Figure 2: Component identification: external front and back views

