

# Quick Reference for the 4-Port PoweredUSB 2.0 Hub with Serial Ports and External Power Supply **010845**

## Installation Information

The USB Driver for this Hub is included in the Windows 2000 operating system. For correct initial enumeration, plug an HID-compliant mouse into the lower USB portion of one port prior to plugging the hub into the Host PC.

The updated drivers for this Hub and the *Operations Guide for the 4-Port PoweredUSB 2.0 Hub with Serial Ports*, which includes information on the Windows XP setup, can be downloaded from the following Product Support page:

<https://www.cyberdata.net/products/010845>

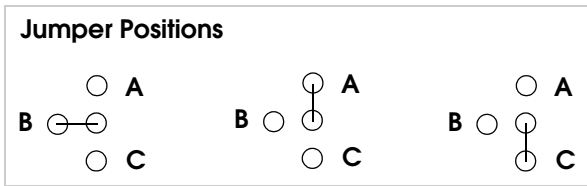
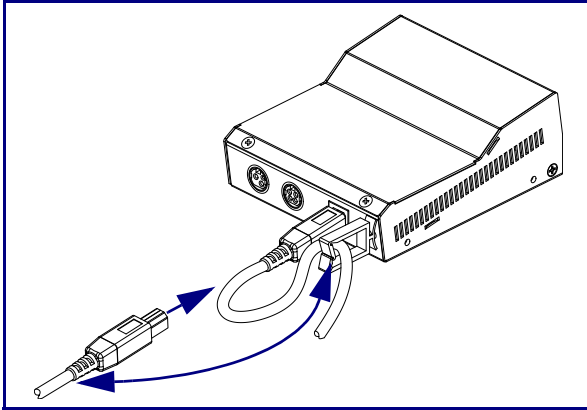
## Product Components List

- (1) CyberData 4-Port PoweredUSB 2.0 Hub with Serial Ports
- (1) Hub External Power supply
- (1) Quick Reference for the PoweredUSB 2.0 Hub with External Power Supply and Serial Ports
- (1) Accessory Kit:
  - (1) Short USB 2.0 Hi-Speed host cable
  - (1) Host USB cable strain relief clamp

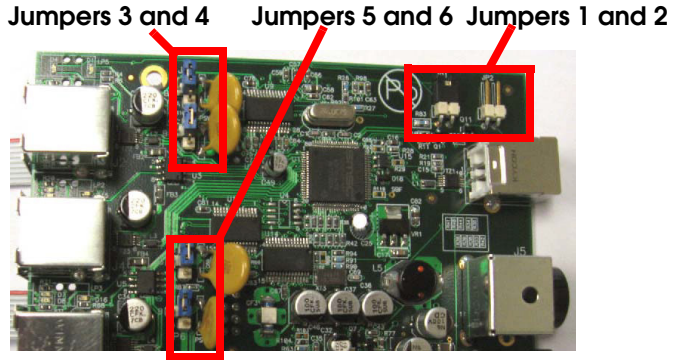
## Contact CyberData

- 4 Port PoweredUSB 2.0 Hub with Serial Ports Product Support URL:  
<https://www.cyberdata.net/products/010845>
- CyberData Sales URL for cables and connectors:  
<https://www.cyberdata.net/collections/cables>
- Phone: (831) 373-2601
- Technical Support  
If you need to contact Technical Support, please use our Technical Support Form at the following website address to expedite any product questions that you may have:  
<http://support.cyberdata.net/>
- Corporate Web Site URL: [www.cyberdata.net](http://www.cyberdata.net)
- Fax: (831) 373-4193
- Address: CyberData Corporation, 3 Justin Court, Monterey, CA 93940
- Service, warranty, and Return Materials Authorizations  
If you need service or an RMA, please contact technical support for authorization by filling out the Retail support form at: <http://support.cyberdata.net/>

**USB Host "B" connector and cable strain relief**

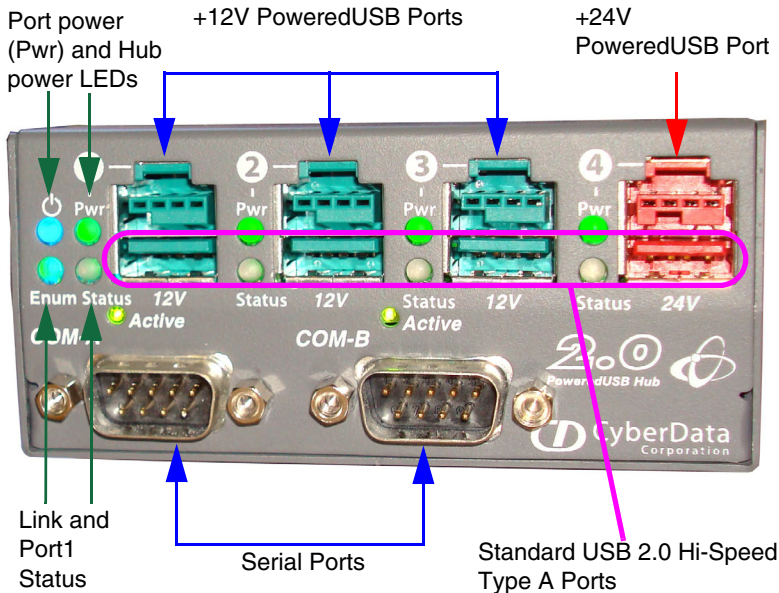


**Jumpers**



Jumper Table		A	B	C
Com Port A, Pin 1	JP3	CD	5V	12V
Com Port A, Pin 9	JP4	RI	5V	12V
Com Port B, Pin 1	JP5	CD	5V	12V
Com Port B, Pin 9	JP6	RI	5V	12V

**Component identification: external front and back views**



- In **GREEN** Disabled Mode, when 24V power is applied with no host plugged in, the Hub Power LED (**BLUE**) is on and all four port Power LEDs turn on. The Host Link (connection) LED WILL NOT light.
- In **GREEN** Mode, when 24V power is applied with no host plugged in, the Hub Power LED (**BLUE**) is on, the 4 port Power LEDs and the Host Link (connection) LED DO NOT light.
- Connect a standard USB 2.0 cable from host PC to Host connector on back of hub with 24V power connected and all four top Port Power LEDs light and turn on green sequentially and the host (connection) Link LED connector turns on green.
- When a peripheral is plugged into the enumerated hub; into one of the hub ports; and the peripheral enumerates in the OS, the Status Led for that Port will light and turn green
- On a peripheral load error on any port, the Status LED turns orange and 5V power to the lower portion of the connector is turned off until the hub is restarted.

