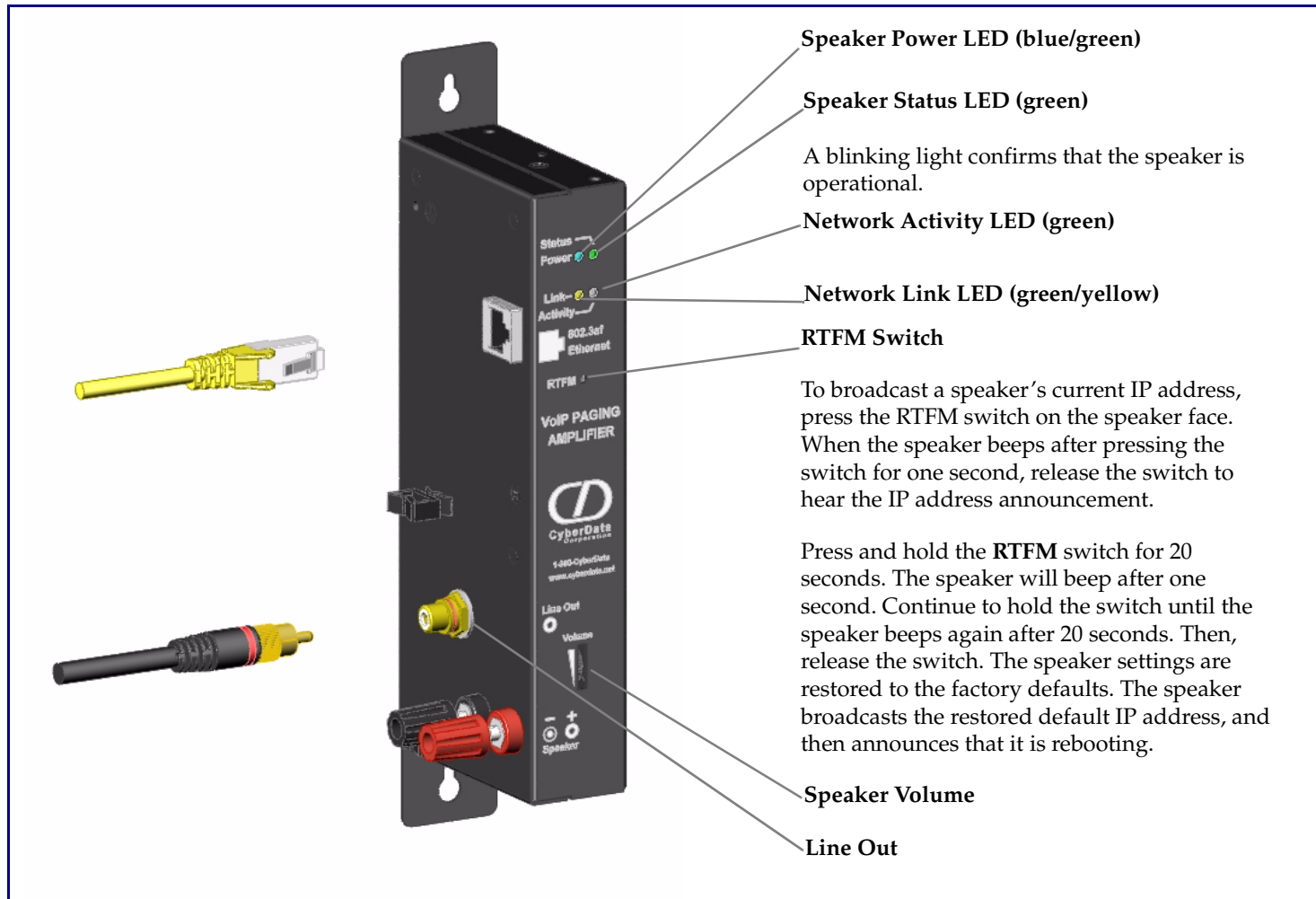


## Features



## Contacting CyberData

### Corporate Headquarters

CyberData Corporation  
2555 Garden Road  
Monterey, CA 93940, USA

Phone: 831-373-2601  
Fax: 831-373-4193  
www.CyberData.net

Sales: (831) 373-2601 ext. 334

Support: 831-373-2601 ext. 333  
Web: <http://www.cyberdata.net/support/contactsupportvoip.html>

RMA Dept: (831) 373-2601 ext. 136  
Email: [RMA@CyberData.net](mailto:RMA@CyberData.net)  
RMA Status: <http://www.cyberdata.net/support/rmastatus.html>

Warranty information is available at:  
Web: <http://www.cyberdata.net/support/warranty/index.html>

### Warranty

CyberData warrants its product against defects in material or workmanship for a period of two years from the date of purchase. Should the product fail within the warranty period, CyberData will repair or replace the product free of charge. This warranty includes all parts and labor.

Should the product fail out-of-warranty, a flat rate repair charge of one half of the purchase price of the product will be assessed. Repairs that are in warranty but are damaged by improper modifications or abuse, will be charged at the out-of-warranty rate. Products shipped to CyberData, both in and out-of-warranty, are shipped at the expense of the customer. Shipping charges for repaired products shipped back to the customer by CyberData, will be paid by CyberData.

CyberData shall not under any circumstances be liable to any person for any special, incidental, indirect or consequential damages, including without limitation, damages resulting from use or malfunction of the products, loss of profits or revenues or costs of replacement goods, even if CyberData is informed in advance of the possibility of such damages.

For product service, contact the Returned Materials Authorization (RMA) department. A product will not be accepted for return without an approved RMA number. Send the product, in its original package, to: CyberData Corporation, 2555 Garden Road, Monterey, CA 93940, Attention: RMA "your RMA number"

The most recent warranty information is available at:  
Web: <http://www.cyberdata.net/support/warranty/index.html>



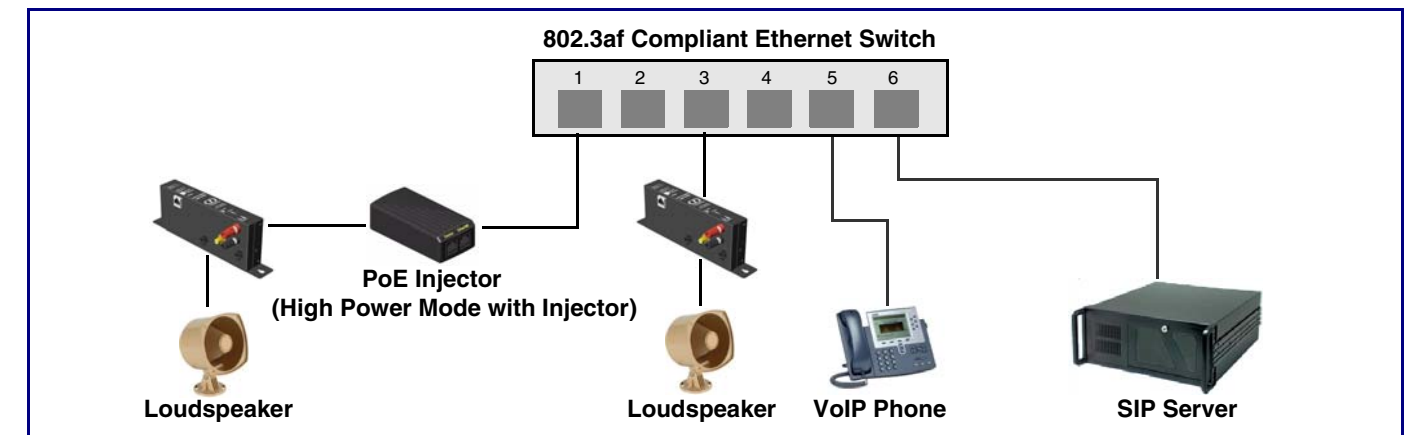
# Installation Quick Reference VoIP Paging Amplifier SIP Compliant 010965

The CyberData SIP-enabled Voice-over IP Paging Amplifier provides an easy method for implementing an IP-based overhead paging system for both new and legacy installations.



Parameter	Factory Default Setting
IP Addressing	static
IP Address	192.168.3.10
Web Access Username	admin
Web Access Password	admin
Subnet Mask	255.255.255.0
Default Gateway	192.168.3.1

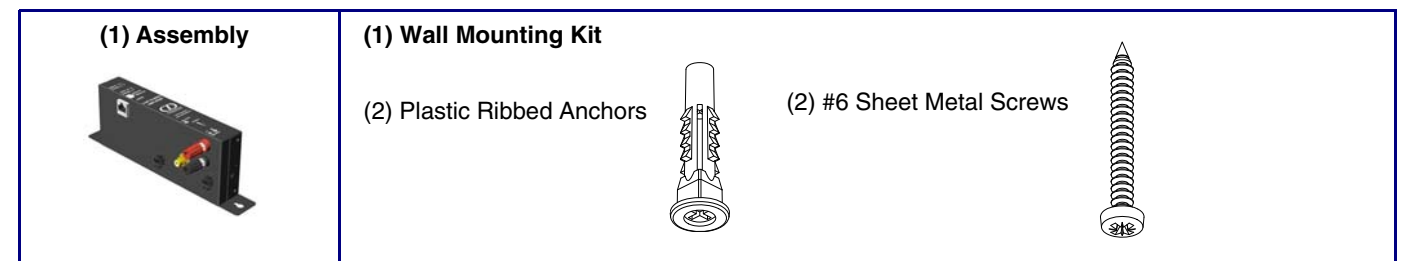
## Typical Paging Amplifier System Installation



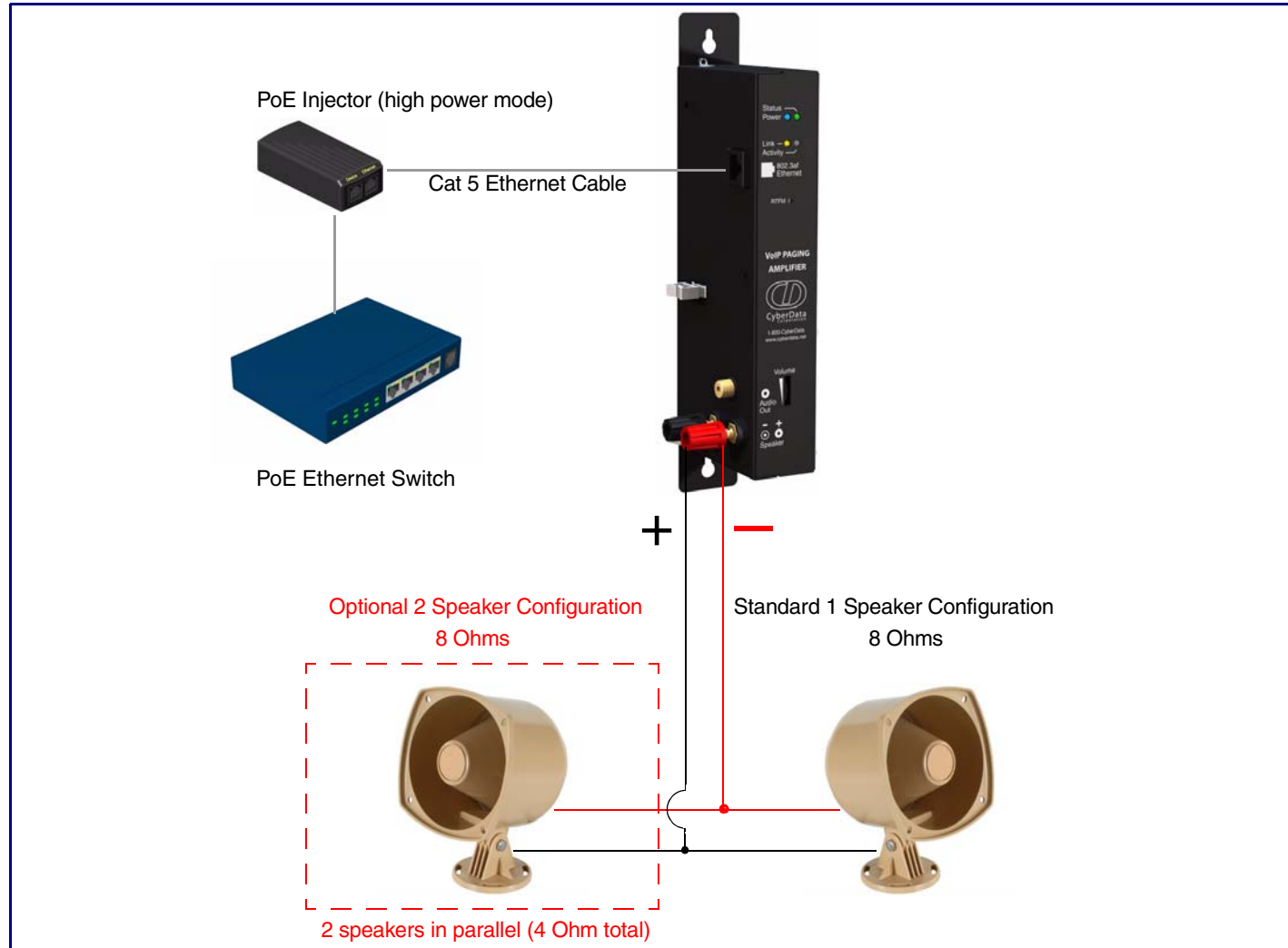
## Getting Started

- Download the *VoIP Paging Amplifier Operations Guide* PDF file at the VoIP Loudspeaker Amplifier product page at: <http://www.cyberdata.net/support/voip/index.html>
- Follow all instructions in the guide.
- Create a plan for the locations of your loudspeaker amplifiers.
- Prior to installation, consult local building and electrical code requirements.

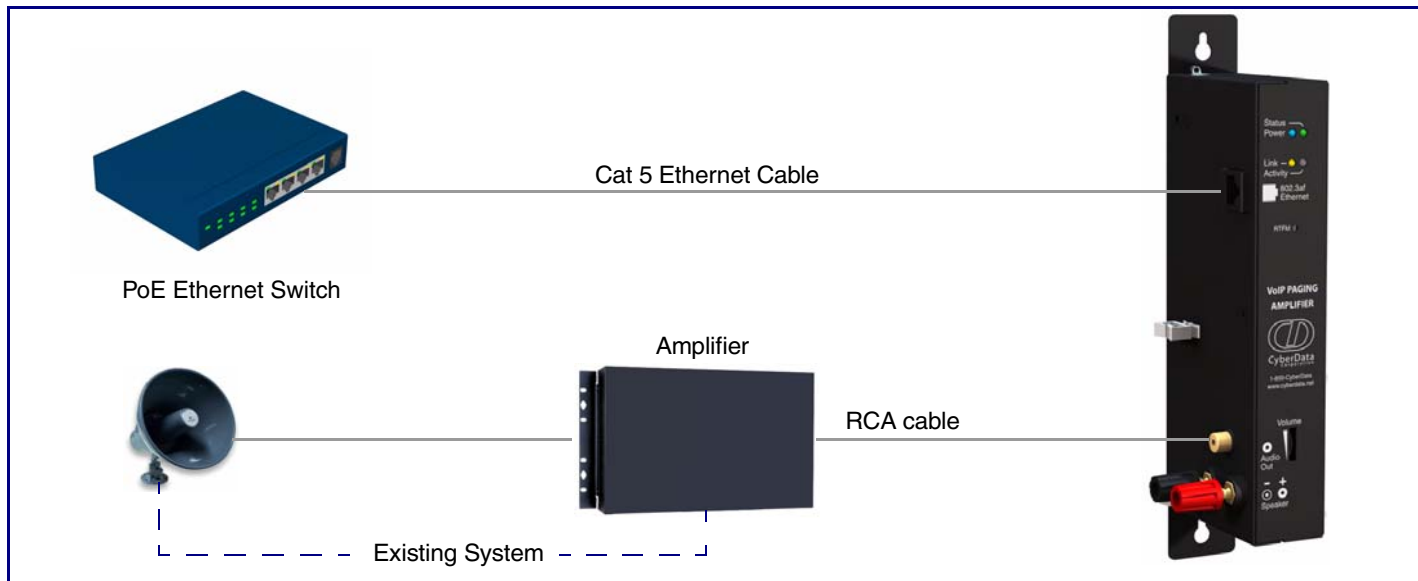
## Parts



### Connecting Power to the Paging Amplifier



### Connecting Power to the Paging Amplifier—Line Out Setup



### Mounting Template

