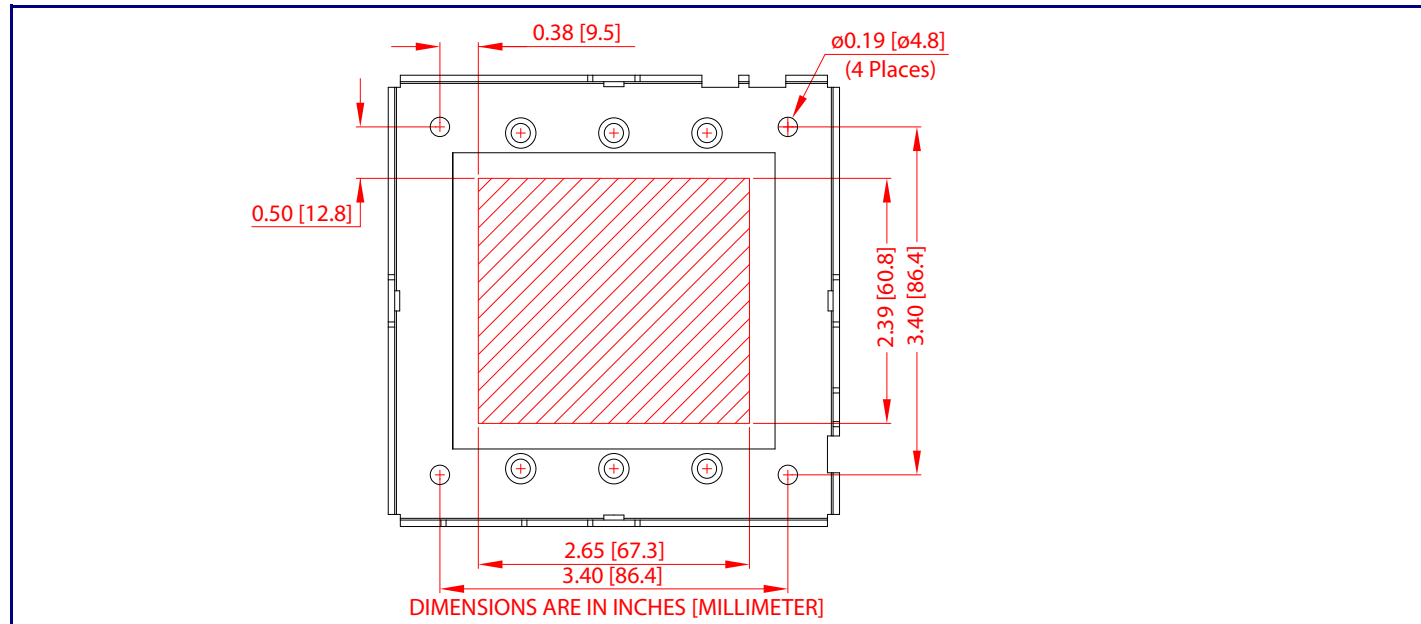


Maximum Recommended Wall Cutout Dimensions



SIP Call Button

SIP Compliant

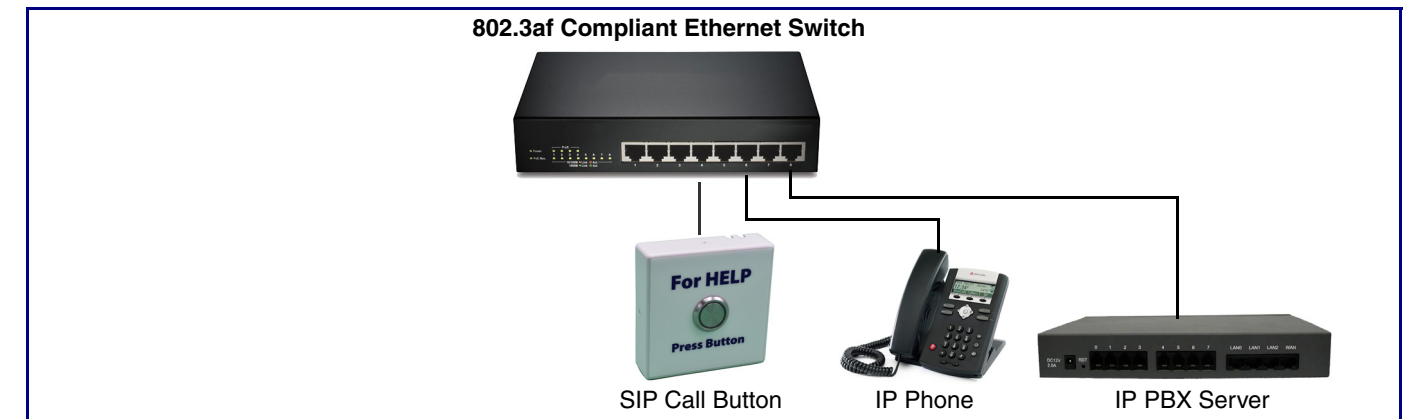
011049



Parameter	Factory Default Setting
IP Addressing	DHCP
IP Address ^a	10.10.10.10
Web Access Username	admin
Web Access Password	admin
Subnet Mask ^a	255.0.0.0
Default Gateway ^a	10.0.0.1

a. Default if there is not a DHCP server present.

Typical System Installation



Getting Started

- Download the *SIP Call Button Operations Guide* PDF file, from the SIP Call Button product page at: <http://www.cyberdata.net/voip/011049/>
- Create a plan for the locations of your SIP Call Buttons.
- **WARNING:** This product should be installed by a licensed electrician according to all local electrical and building codes.
- **WARNING:** To prevent injury, this apparatus must be securely attached to the floor/wall in accordance with the installation instructions.
- **WARNING:** The PoE connector is intended for intra-building connections only and does not route to the outside plant.
- **WARNING:** This enclosure is not rated for any AC voltages!

Contacting CyberData





Corporate Headquarters

CyberData Corporation
3 Justin Court
Monterey, CA 93940, USA

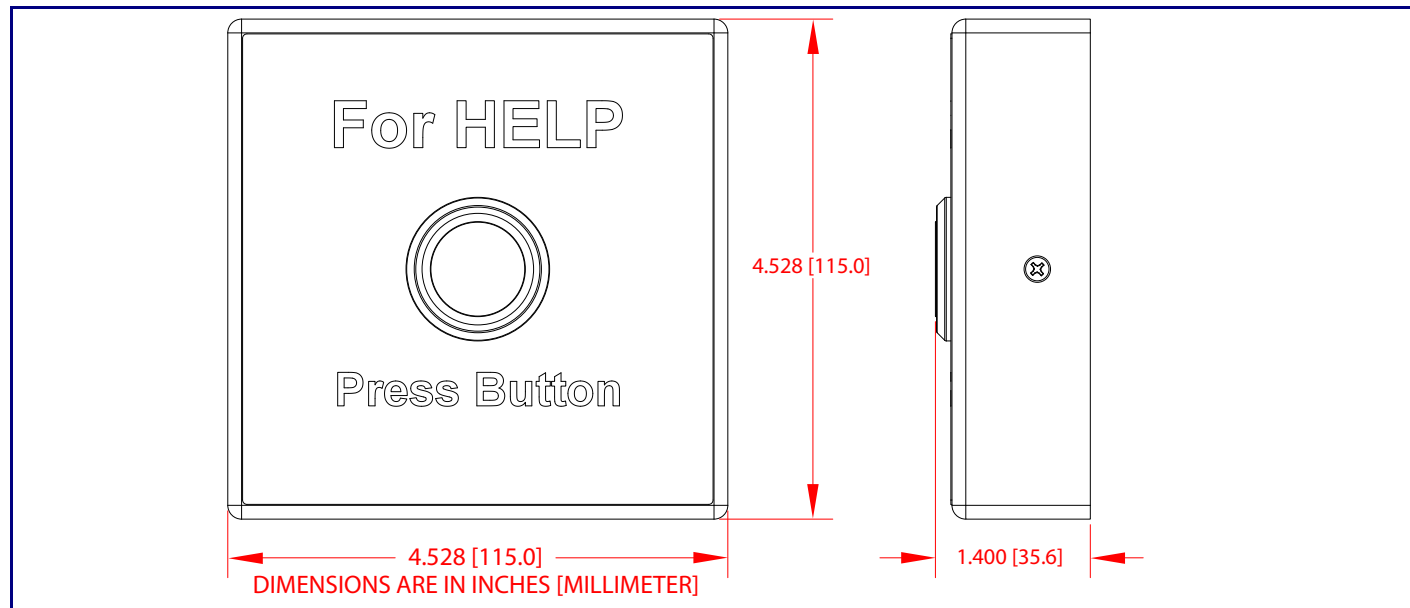
Phone: 831-373-2601
Fax: 831-373-4193
<http://www.cyberdata.net/>

Sales: (831) 373-2601 ext. 334
Support: 831-373-2601 ext. 333
Support Website: <http://support.cyberdata.net/>
RMA Department: (831) 373-2601 ext. 136
RMA Email: RMA@CyberData.net
RMA Status: <http://support.cyberdata.net/>
Warranty Information: <http://support.cyberdata.net/>

Parts

<p>(1) SIP Call Button Assembly</p> 	<p>(1) Wall Mounting Kit</p>  <p>(4) #6 x 1.25 inches Sheet Metal Screw</p>  <p>(4) #6 Ribbed Plastic Anchor</p>	<p>(1) Gang Box Mounting Kit</p>  <p>(4) #6-32 x 0.625-inch Flat-Head Machine Screw</p>
--	---	---

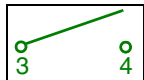
Dimensions



Terminal Block Connections

Alternate Power Input:

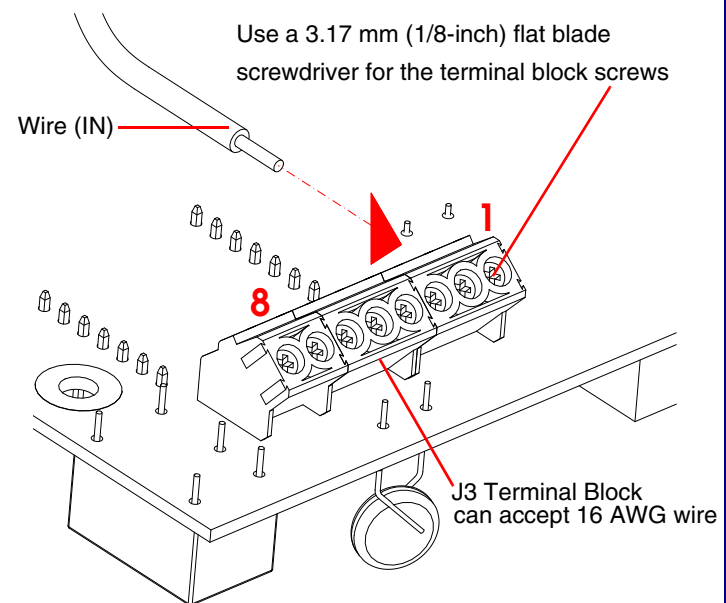
- 1 = +8 to +12VDC @ 1000mA Regulated Power Supply*
- 2 = Power Ground*



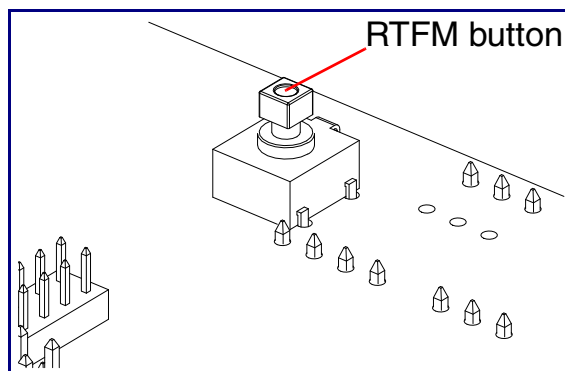
Relay Contact:

- (1 A at 30 VDC for continuous loads)
- 3 = Relay Common
- 4 = Relay Normally Open Contact
- 5 = Sense Input
- 6 = Sense Ground
- 7 = Remote Switch "A"
- 8 = Remote Switch "B"

*Contacts 1 and 2 on the J3 terminal block are only for powering the device from a non-PoE 12VDC power source as an alternative to Network PoE power. Use of these contacts for any other purpose will damage the device and void the product warranty.



RTFM Button

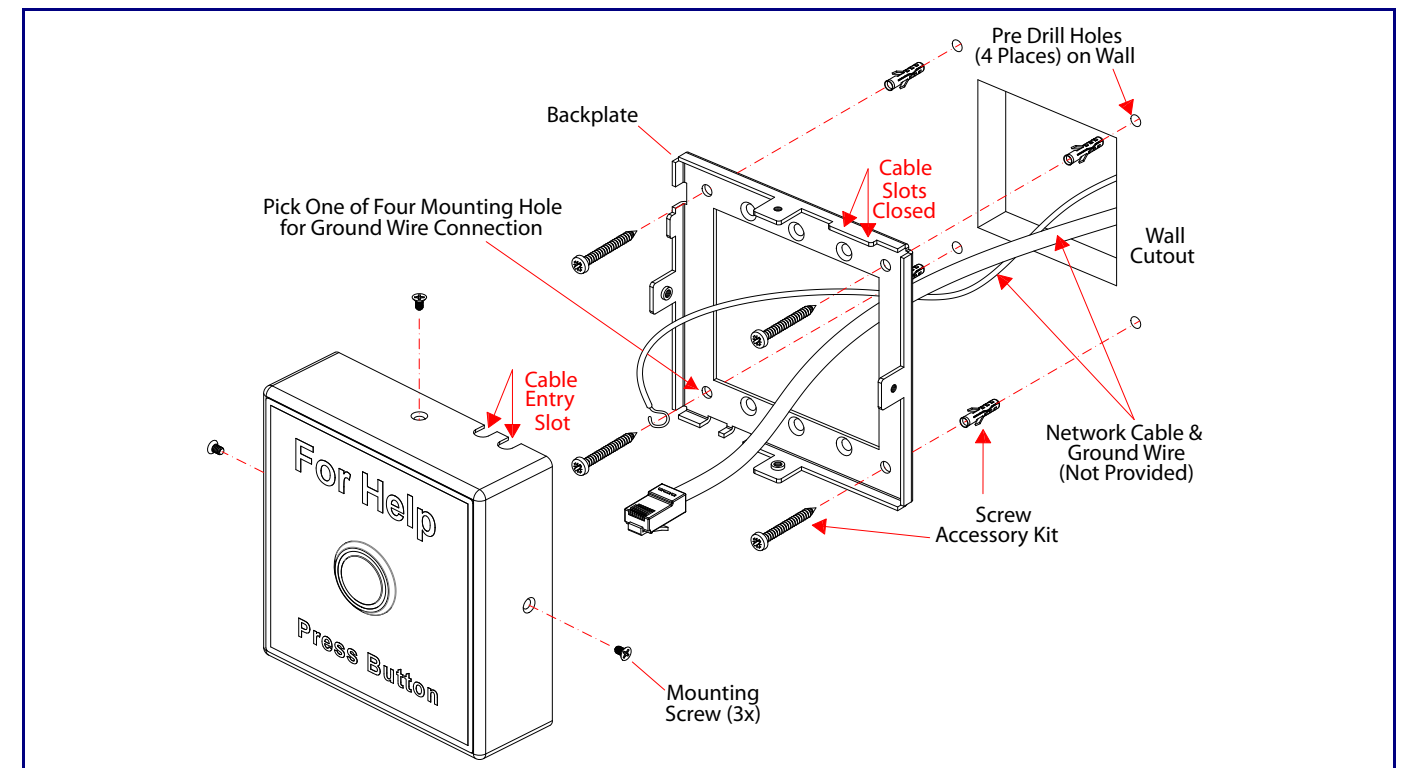


When the device is operational and linked to a network, you can use the Reset Test Function Management (RTFM) button to restore the device to the factory default settings.

To restore the device to factory default settings:

- Press and hold the RTFM button for seven seconds, and then release the RTFM button.

Wall Mounting Options



Gang Box Mounting Options

