

Singlewire Informacast/Berbee-enabled VoIP V2 Paging Amplifier

Now with up to 25 watts output (802.3at)



The new CyberData V2 Singlewire-enabled VoIP Paging Amplifier is for use with Singlewire's paging and emergency notification software InformaCast® or InformaCast CK.

With up to 25 watts of driving power (802.3at), the Amplifier provides direct drive of a standard Horn speaker and supports a line-out connector for connection to an external amplifier.



Loudspeaker (part #011068) must be purchased separately.

Features

- InformaCast®
- Dual-speed ethernet 10/100 Mbps
- Web-based configuration
- PoE 802.3at and 802.3af-enabled
- Line-out connector
- Direct 8 Ohm speaker drive
- User-uploadable tones and messages
- Digital and manual volume control

Specifications

Ethernet I/F	10/100 Mbps
Power Input	PoE 802.3at or 802.3af
Operating Temperature	-10° C to 50° C (14° F to 122° F)
Protocol	InformaCast v4.0 and later
Payload Types	G711

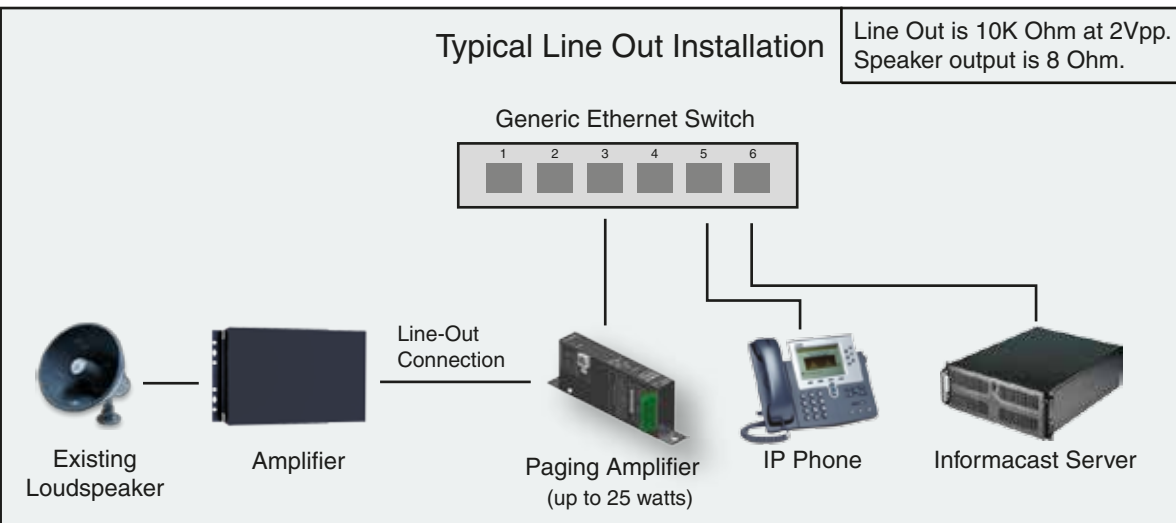
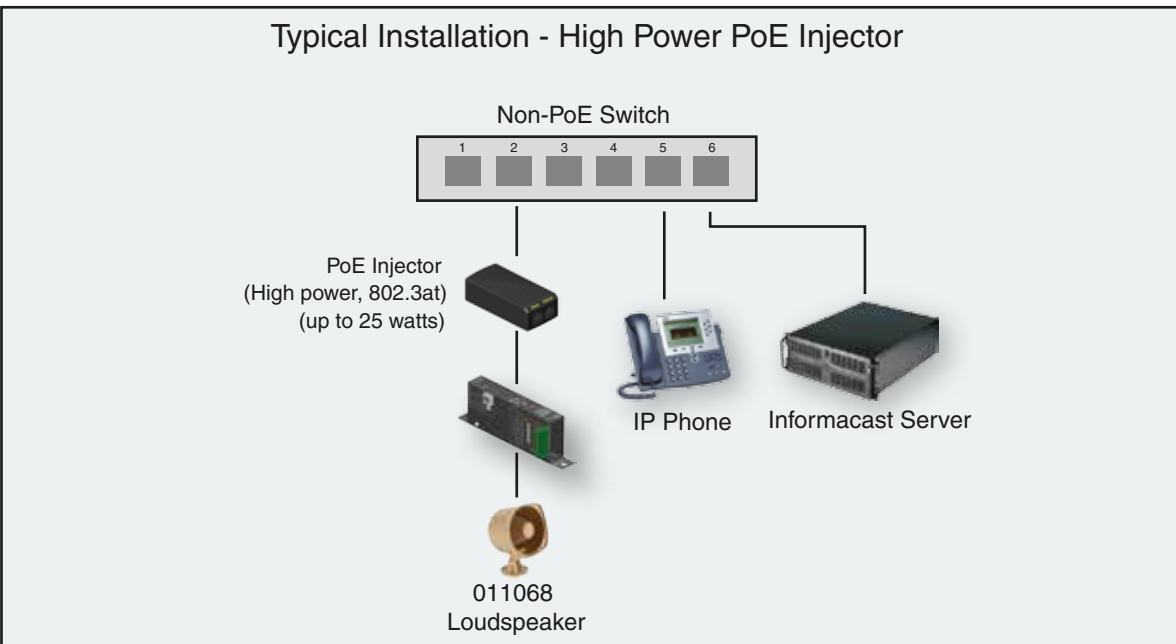
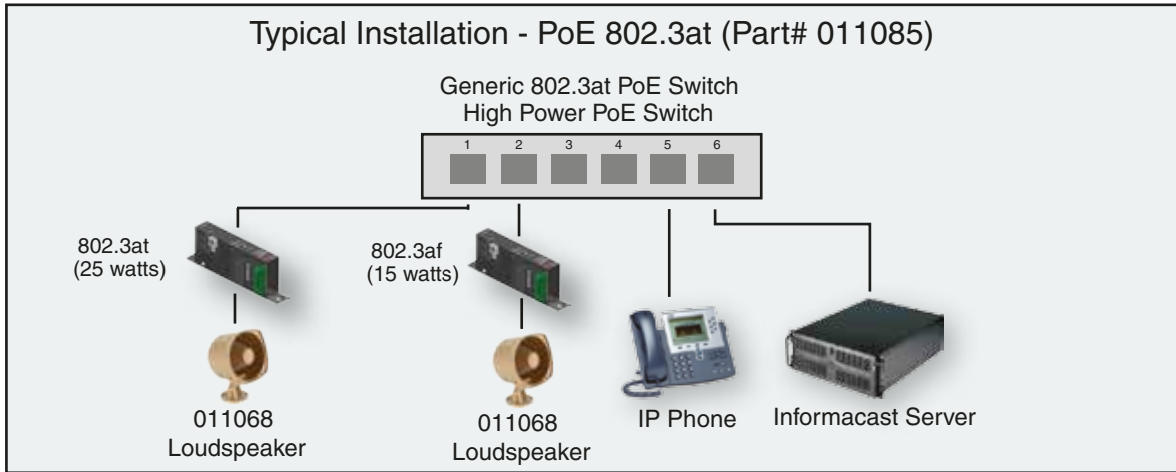
Warranty	2 Years Limited
Dimensions	1.26" x 9.45" x 3.13"
Output	<ul style="list-style-type: none"> ● 802.3af - up to 8 watts ● 802.3at - up to 25 watts

Lineout:

Output Signal Amplitudes	2.0 VPP maximum
Output Level	+2dBm nominal
Total Harmonic Distortion	0.5% maximum

Part Number	011085
Loudspeaker Part Number	011068

Singlewire Informacast/Berbee-enabled VoIP V2 Paging Amplifier



Singlewire Informacast/Berbee-enabled
VoIP V2 Paging Amplifier

