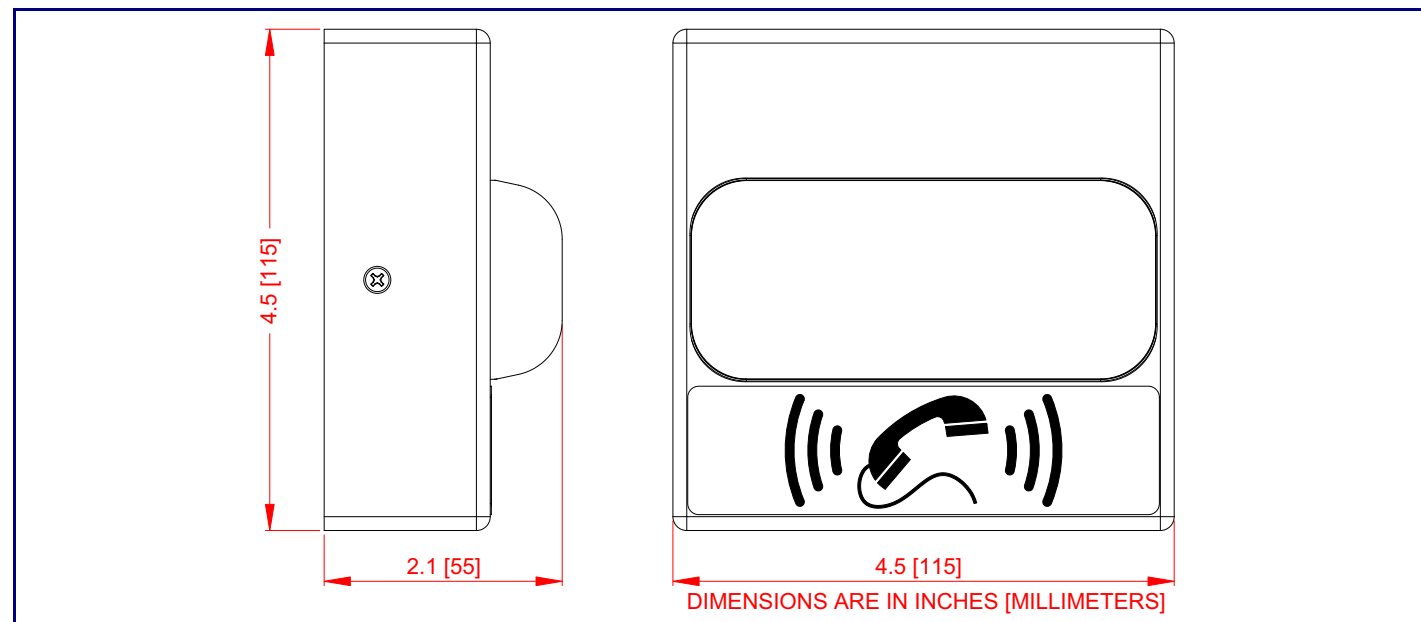
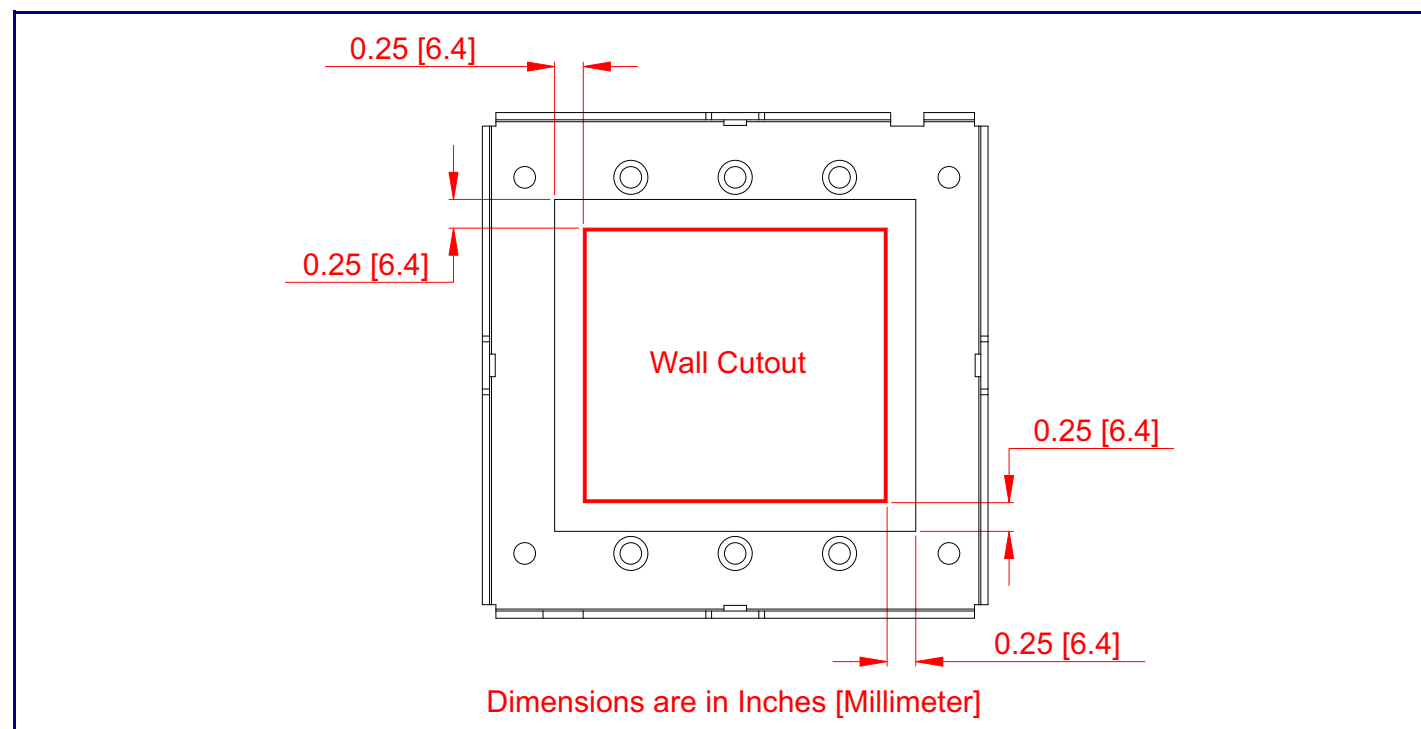


Dimensions



Maximum Recommended Wall Cutout Dimensions



Contacting CyberData

Corporate Headquarters

CyberData Corporation
3 Justin Court
Monterey, CA 93940, USA

Phone: 831-373-2601
Fax: 831-373-4193

<http://www.cyberdata.net/>

Sales: (831) 373-2601 ext. 334

Support: 831-373-2601 ext. 333

Support Website: <http://support.cyberdata.net/>

RMA Department: (831) 373-2601 ext. 136

RMA Email: RMA@CyberData.net

RMA Status: <http://support.cyberdata.net/>

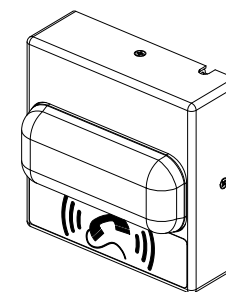
Warranty Information: <http://support.cyberdata.net/>

CyberData *Installation Quick Reference*

The IP Endpoint Company

V3 SIP Strobe

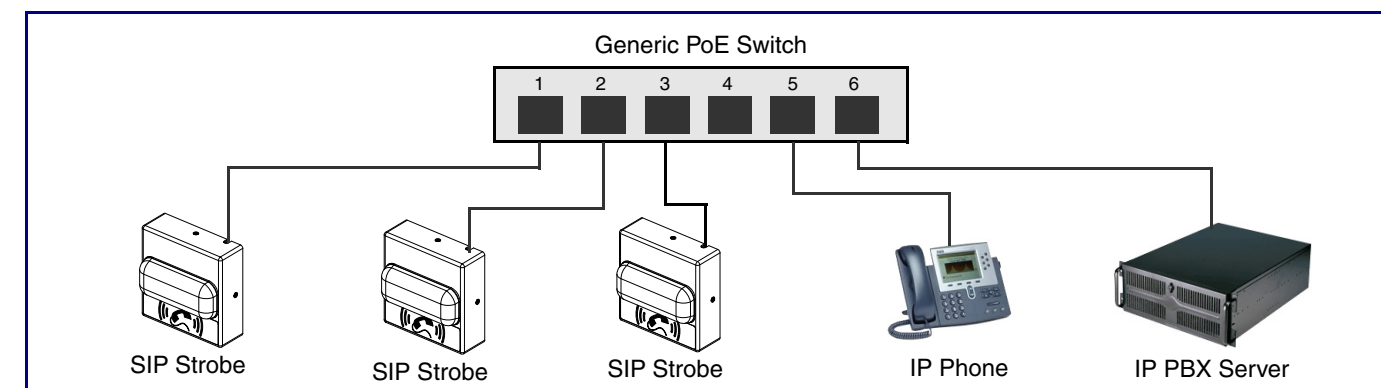
011087



Parameter	Factory Default Setting
IP Addressing	DHCP
IP Address ^a	10.10.10.10
Web Access Username	admin
Web Access Password	admin
Subnet Mask ^a	255.0.0.0
Default Gateway ^a	10.0.0.1

a. Default if there is not a DHCP server present.

Typical System Installation



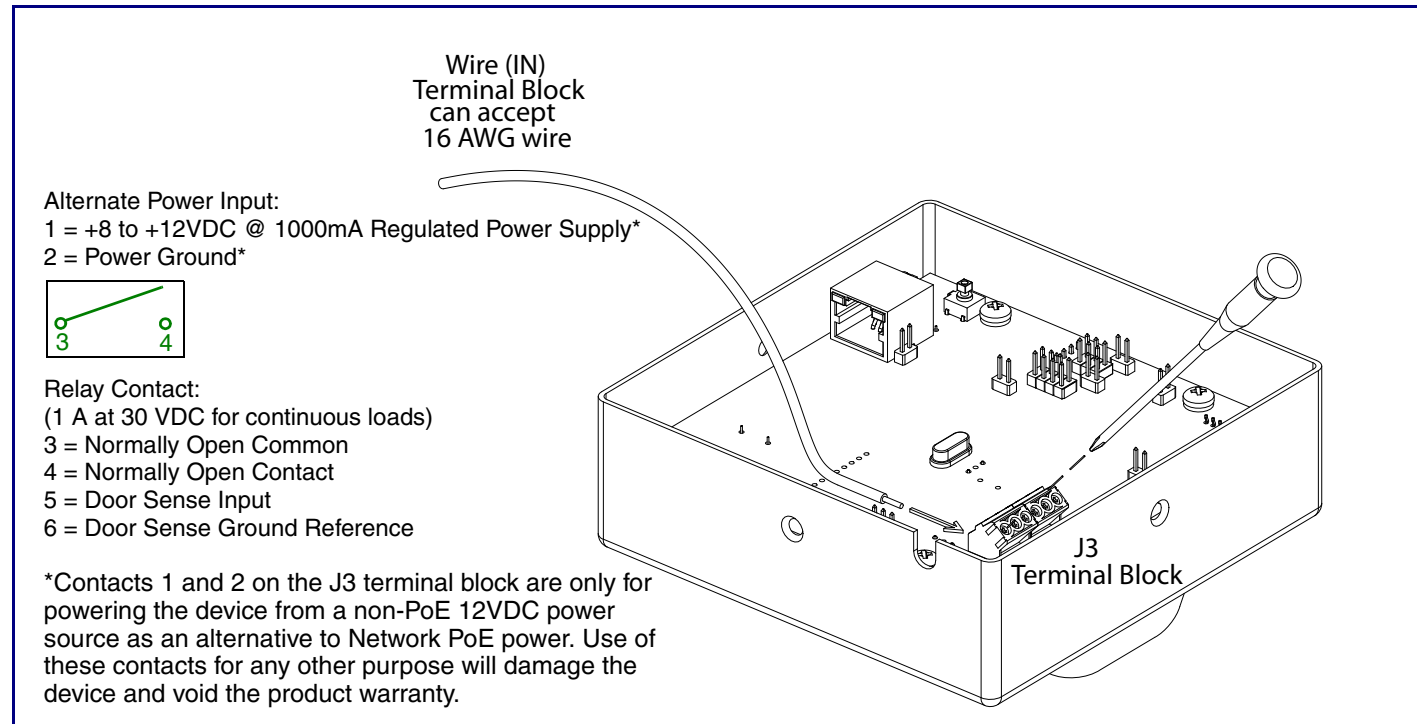
Getting Started

- Download the *V3 SIP Strobe Operations Guide* PDF file, from the V3 SIP Strobe product page at: <http://www.cyberdata.net/products/voip/digitalanalog/strobe/docs.html>
- Create a plan for the locations of your SIP Strobes.
- **WARNING:** This product should be installed by a licensed electrician according to all local electrical and building codes.
- **WARNING:** To prevent injury, this apparatus must be securely attached to the floor/wall in accordance with the installation instructions.
- **WARNING:** The PoE connector is intended for intra-building connections only and does not route to the outside plant.
- **WARNING:** This enclosure is not rated for any AC voltages!

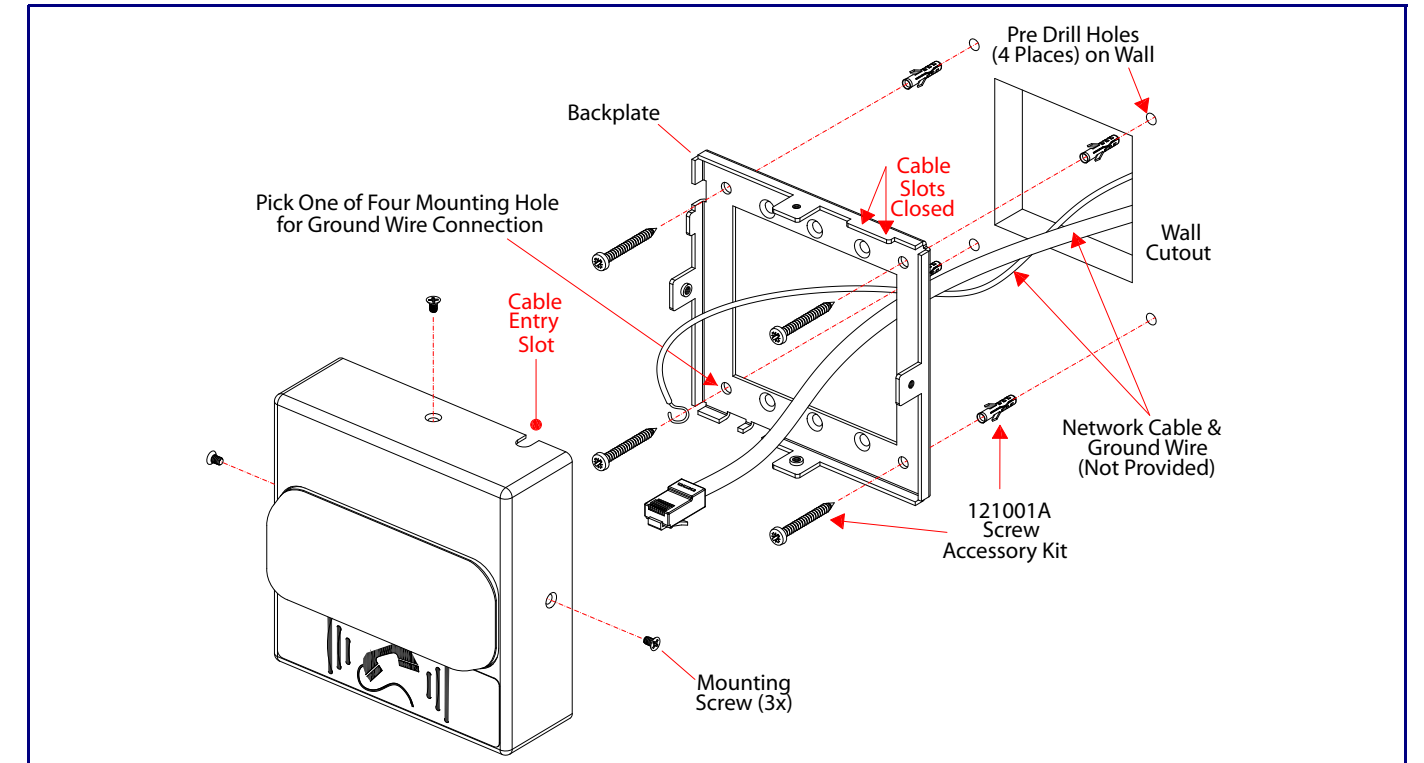
SIP Strobe Parts

(1) SIP Strobe Assembly 	(1) Wall Mounting Kit (4) #6 x 1.5 inches Sheet Metal Screw (4) #6 Ribbed Plastic Anchor	(1) Gang Box Mounting Kit (4) #6-32 x 0.625-inch Flat-Head Machine Screw
------------------------------------	---	--

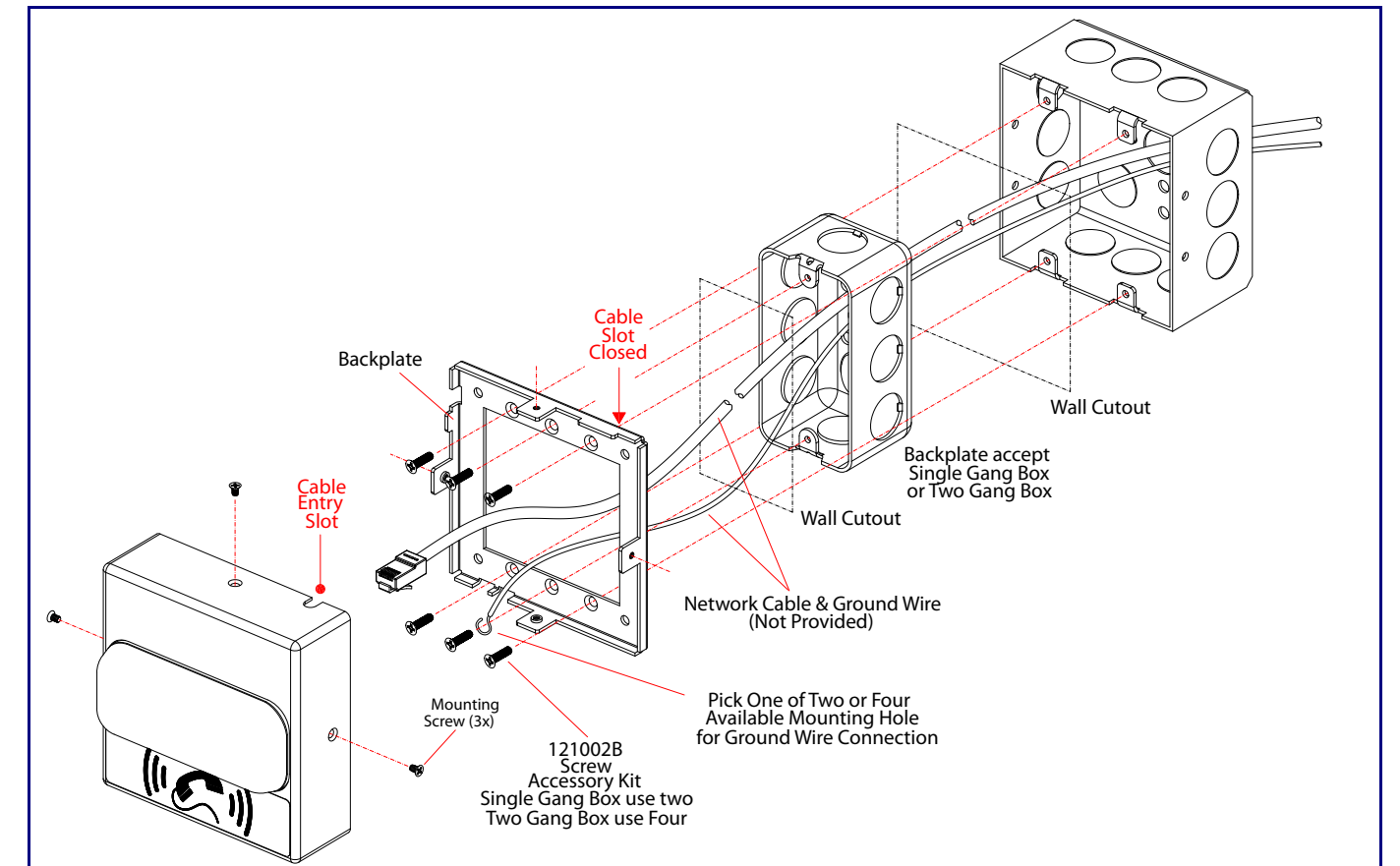
Connections



Wall Mounting Options



Maximum Recommended Wall Cutout Dimensions



RTFM Button

