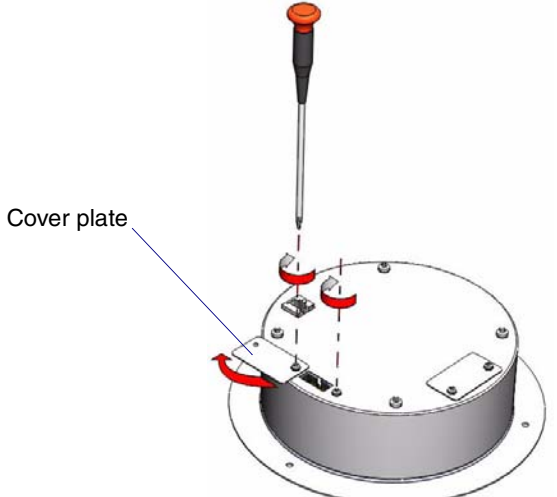
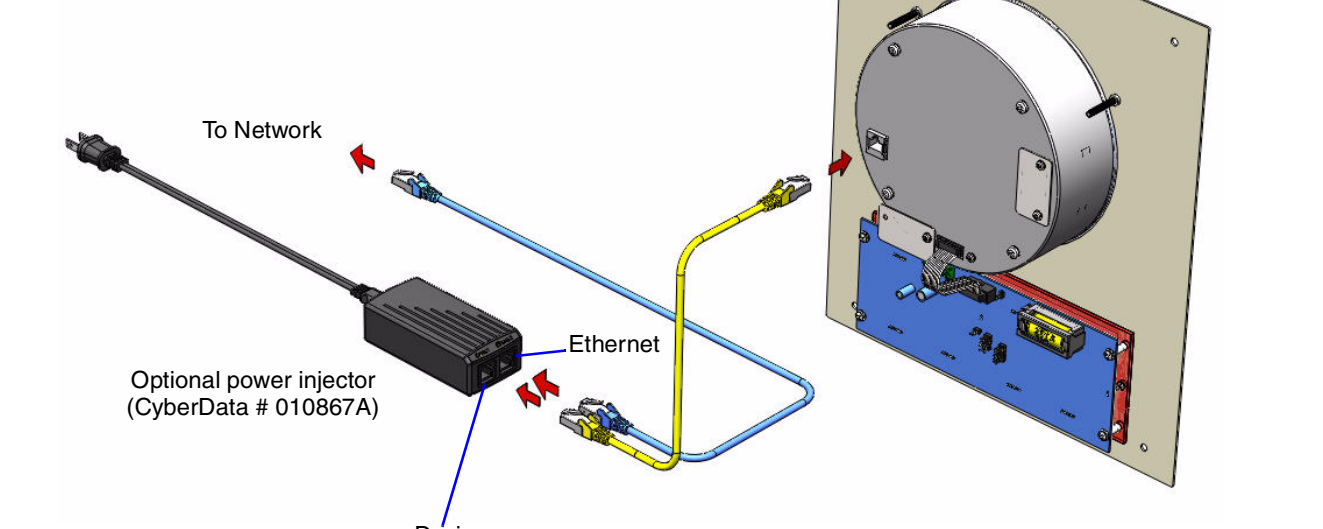


Moving the Clock Connector Cover Plate



1. Unscrew and remove the two attachment cover screws.
2. Remove the clock connector cover plate and rotate it 180 degrees to the left.
3. Screw and tighten the cover screws to secure the cover plate in place (as shown in the picture).

Connecting Power (optional power injector)



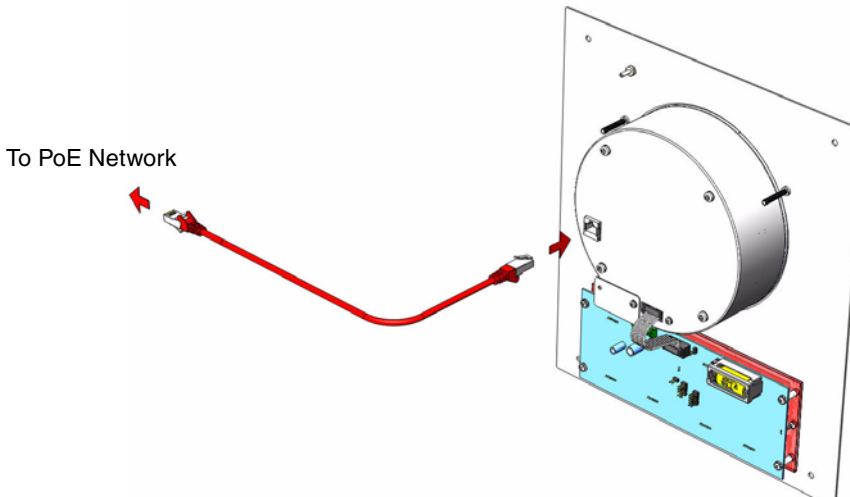
To Network

Optional power injector (CyberData # 010867A)

Ethernet

Device

Connecting Power (PoE)



To PoE Network

Contacting CyberData

Corporate Headquarters
 CyberData Corporation
 2555 Garden Road
 Monterey, CA 93940, USA

Phone: 831-373-2601
 Fax: 831-373-4193
www.CyberData.net

Sales: (831) 373-2601 ext. 334
 Support: 831-373-2601 ext. 333
 Email: support@CyberData.net
 RMA Dept: (831) 373-2601 ext. 136
 Email: RMA@CyberData.net
 Warranty information available at:
<http://www.CyberData.net/index.html>



Installation Quick Reference

Clock Kit Flush Mount Adapter for Indoor Paging Speakers

011106*, RAL 9002, Gray White, Standard
011107, RAL 9003, Signal White, Optional

*Replaces the 011024 number.



The Clock Kit enables the CyberData V2 VoIP Ceiling Speaker to be upgraded to a highly visible public address device with a time display.

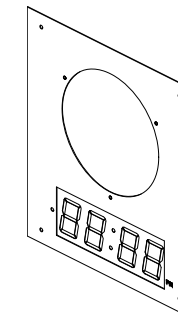
The large display characters are easily read and adjust for ambient light conditions. Time sync is performed by NTP and a built-in real-time clock.

Power is supplied by the CyberData V2 Speaker from a single PoE connection.

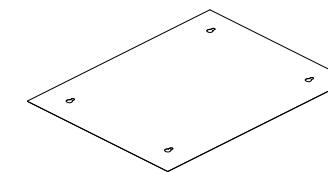
The *Clock Kit Flush Mount Adapter Operations Guide* is available as a PDF file at: <http://www.cyberdata.net/products/voip/digitalanalog/clockkit/docs.html>

Wall Mount Adapter Parts

(1) Flush Wall Mount Adapter

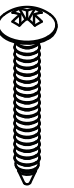


(1) Template for Wall Mount Adapter and Screw Holes (on placemat)

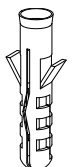


(1) Drywall Mounting Kit

(4) 10-12 x 1.25-inch Pan Head Phillips Screws



(4) #10 Plastic Ribbed Anchor

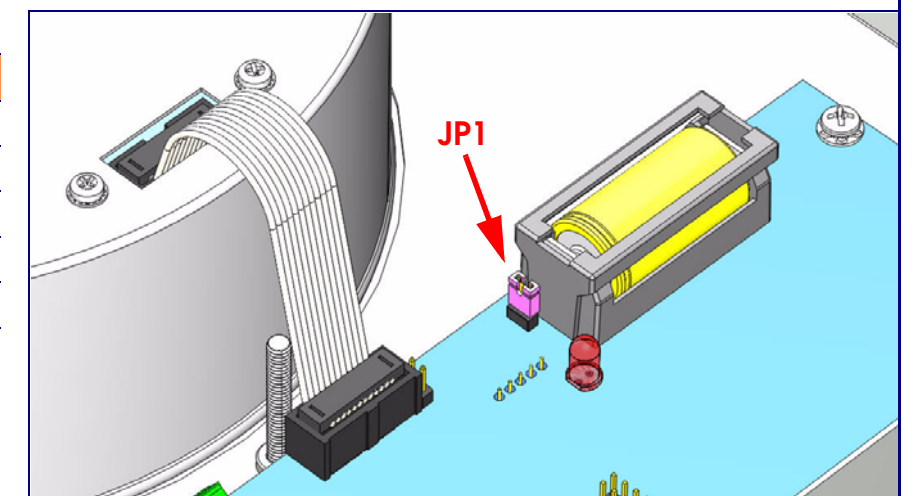


Install Jumper JP1 Prior to Installing the Clock Kit

Make sure that jumper JP1 is installed prior to installing the Clock Kit (see the picture on the right). Installing JP1 powers the Real Time Clock from the battery. If you do not install JP1, the clock will lose its time when the power is disconnected.

Jumper Functions:

Jumper	Function
JP1	Battery - Connect
JP2	Manufacturing - Open
JP3	Manufacturing - Open
JP4	Manufacturing - Open
JP5	Manufacturing - Open



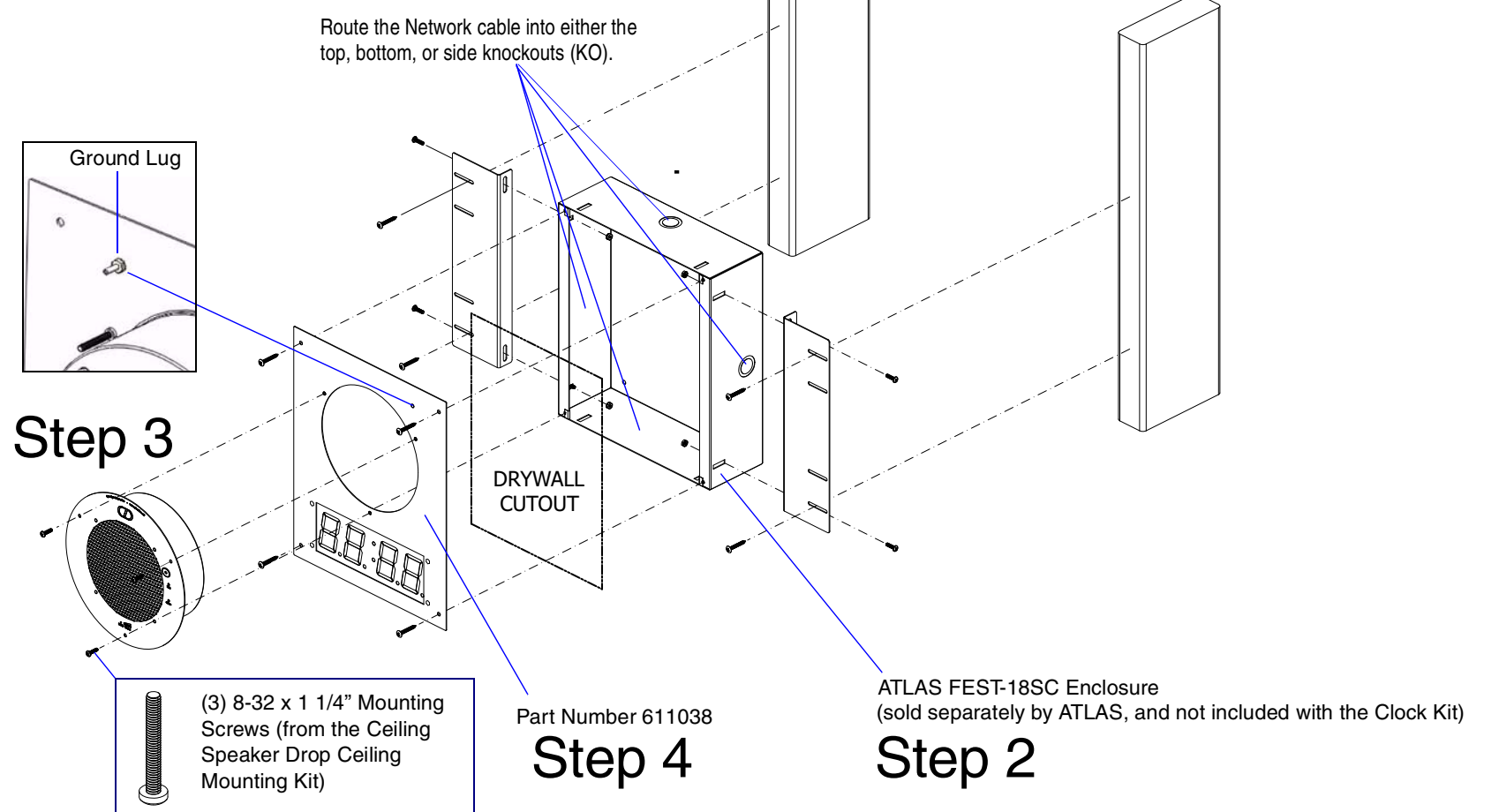
12.55 [318.8]

DIMENSIONS ARE IN INCHES [MILLIMETER]

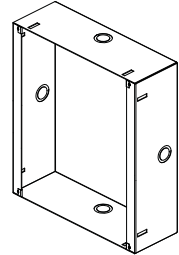
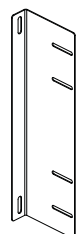

Mounting


Step 1

- To mount a Clock Kit Flush Mount Adapter:**
1. If you do not have the ATLAS enclosure, then use the **TEMPLATE** on this document to drill four holes in the wall for the anchors and screws.
 2. Assemble the ATLAS® FEST-18SC enclosure.
 3. Use three 8-32 x 1 1/4" MOUNTING SCREWS (from the Ceiling Speaker Drop Ceiling Mounting Kit) to install the Version 2 Speaker into the flush mount clock kit.
 4. Install part number **611038** through the pre-cut drywall into the Atlas sound enclosure.



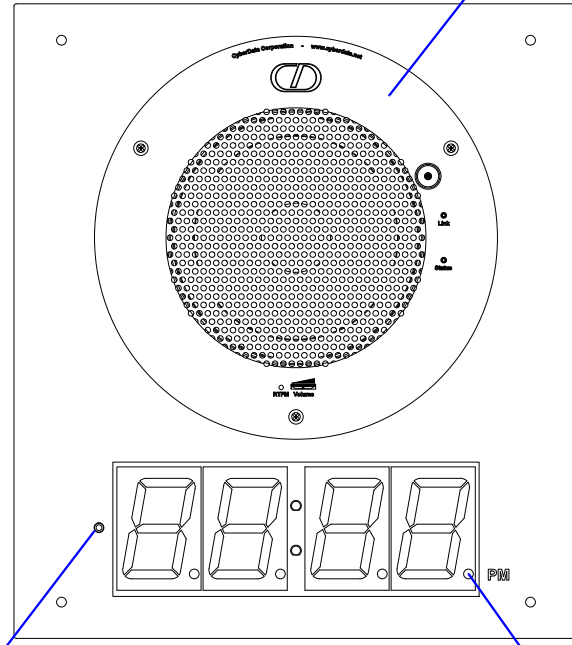
ATLAS FEST-18SC Enclosure Parts
Note: All ATLAS parts are sold separately by ATLAS, and are not included with the Clock Kit Adapter

- | | | |
|---|---|--|
| <p>(1) ATLAS FEST-18SC
(sold separately)</p>  | <p>(2) ATLAS Sound FEST Mounting Bracket
(sold separately)</p>  | <p>(4) No.10 Nut with tooth washer
(comes with the ATLAS wall mount)</p> 

<p>(4) No.10-32 x 0.375-inch Pan Head Phillips Machine Screw
(comes with the ATLAS wall mount)</p>  |
|---|---|--|

CyberData Part #011098 or #011099

Features



Ambient light detector PM LED

Dimensions

