

Printing Instructions: Before printing this document or the mounting template, check the following:

- Make sure that the **Paper Size** setting of the printer is set to **11"x 17"**.
- Make sure that the **Page Scaling** setting of the printer is set to **NONE** (with no scaling [1:1])
- Print on 11" x 17"-sized paper.

Auxiliary Analog Speaker

011121



The Auxiliary Analog Speaker is an option for the CyberData SIP or InformaCast Enabled Speakers to extend the coverage area.

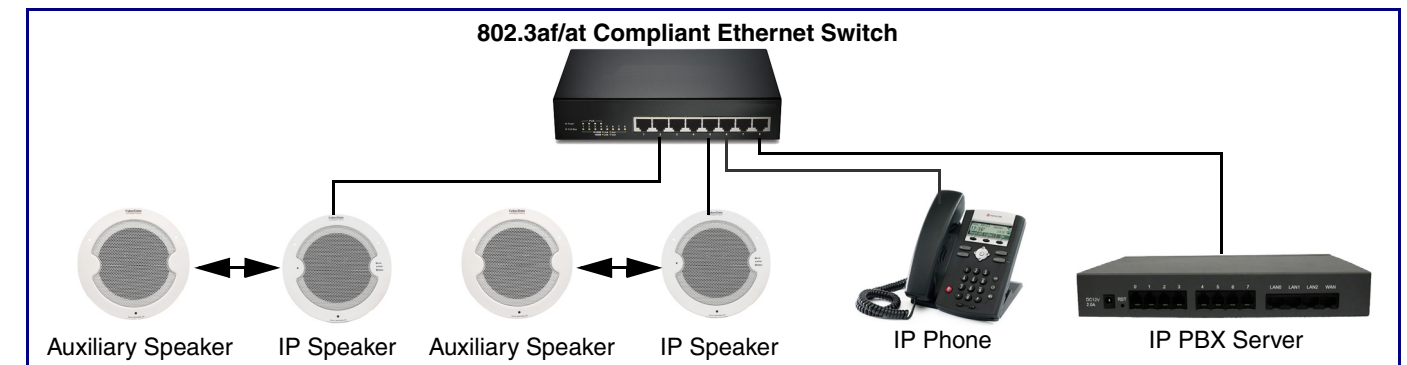
When connecting the Auxiliary Analog Speaker to the SIP or InformaCast Enabled Speaker, the total speaker wattage is the same. However, by adding this Auxiliary Analog Speaker, additional coverage can be realized.

The Auxiliary Analog Speaker can be mounted with the same mounting hardware options available for the SIP or InformaCast Enabled Speakers.

Getting Started

- Create a plan for the locations of your Speakers.
- Prior to installation, consult local building and electrical code requirements.

Typical System Installation



Parts

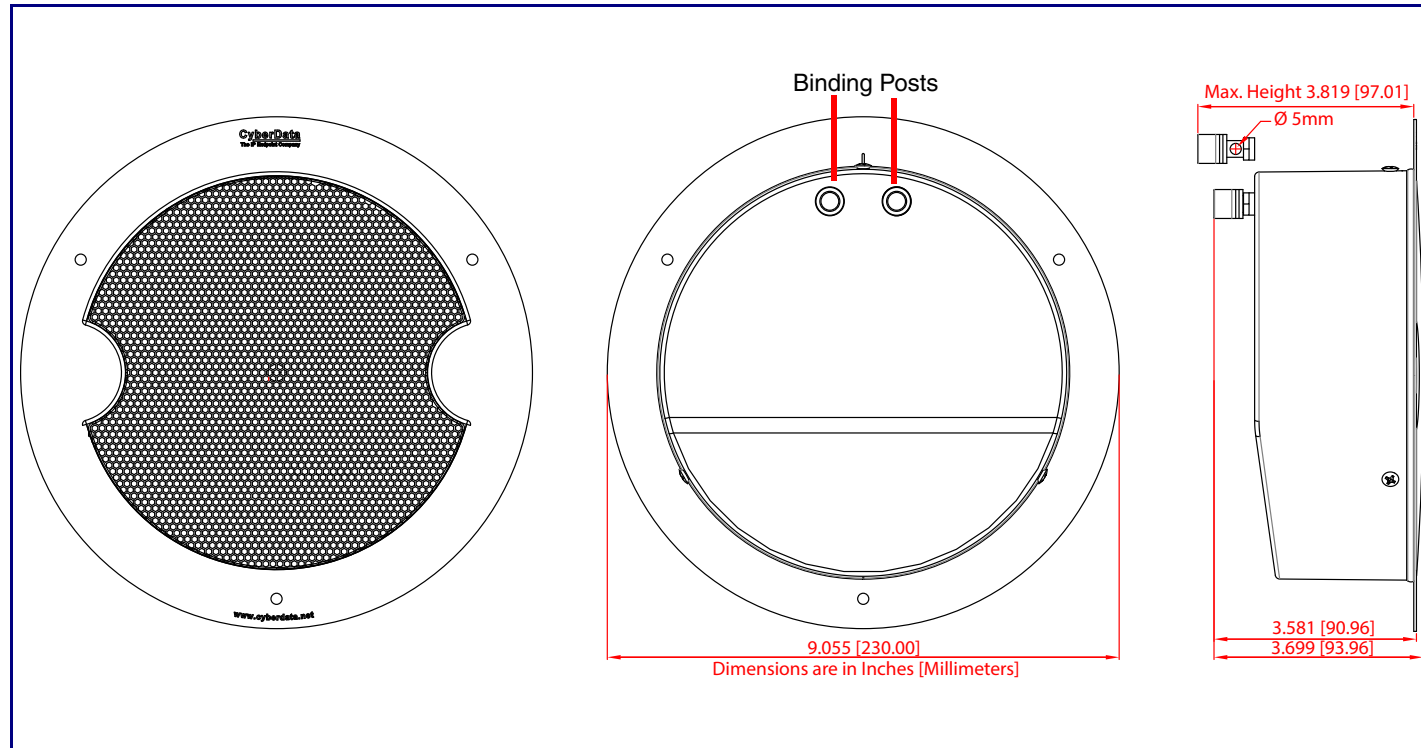
(1) Speaker Assembly	(1) Template for Speaker and Screw Holes*	(1) Drop Ceiling Mounting Kit	(1) Drywall Mounting Kit
		(3) #8 Nylon Thumb Nuts	(3) Plastic Ribbed Anchors
		(3) #8 Fender Washers	
		(3) 8-32 x 1 1/4" Mounting Screws	(3) #6 Sheet Metal Screws

* See the last page of this document

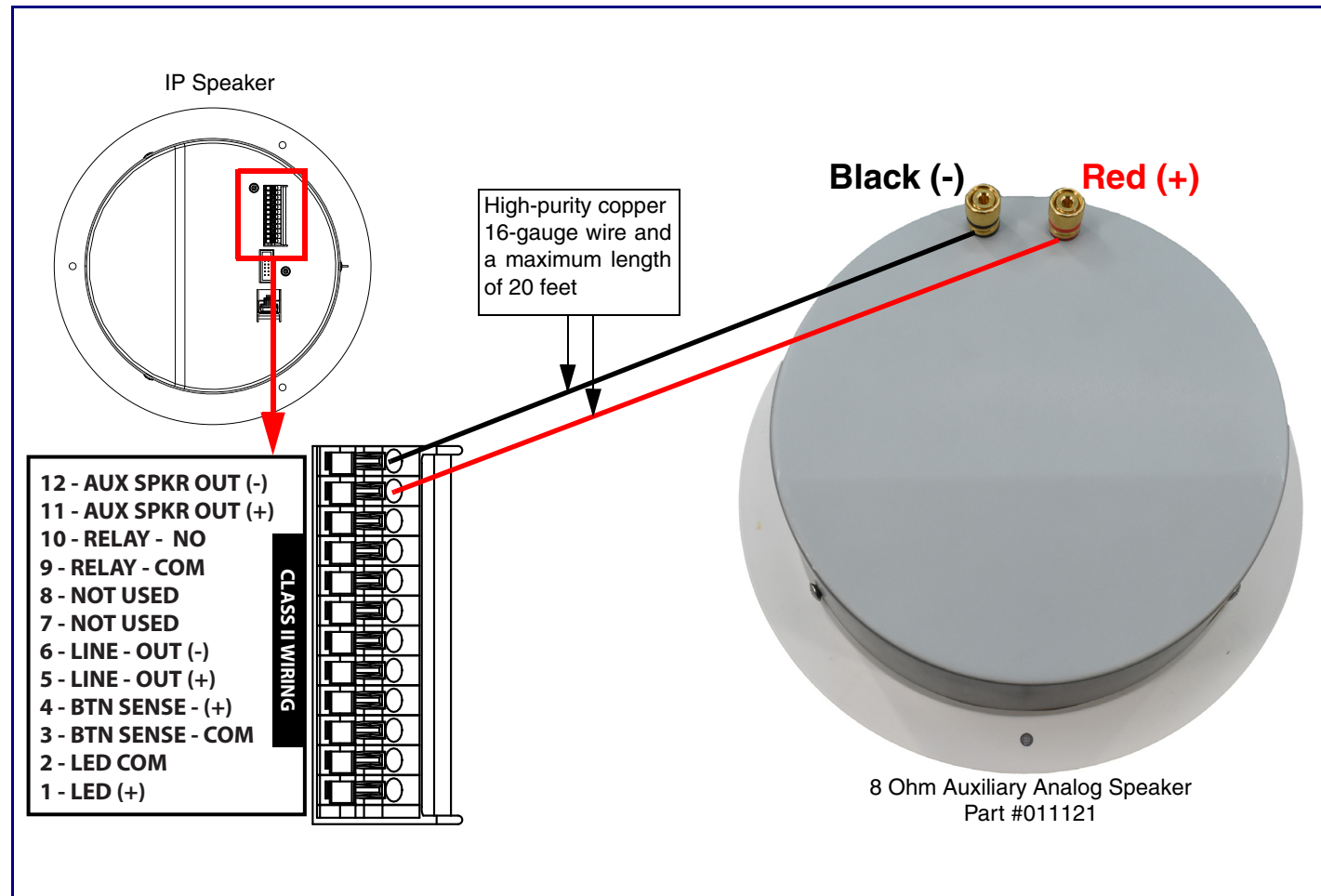
Contacting CyberData

Corporate Headquarters	
CyberData Corporation 3 Justin Court Monterey, CA 93940, USA	Sales: 831-373-2601 ext. 334 Support: 831-373-2601 ext. 333 Support Website: https://support.cyberdata.net/ RMA Department Contact and Status: https://support.cyberdata.net/ Warranty Information: https://support.cyberdata.net/
Phone: 831-373-2601 Fax: 831-373-4193 https://www.cyberdata.net/	

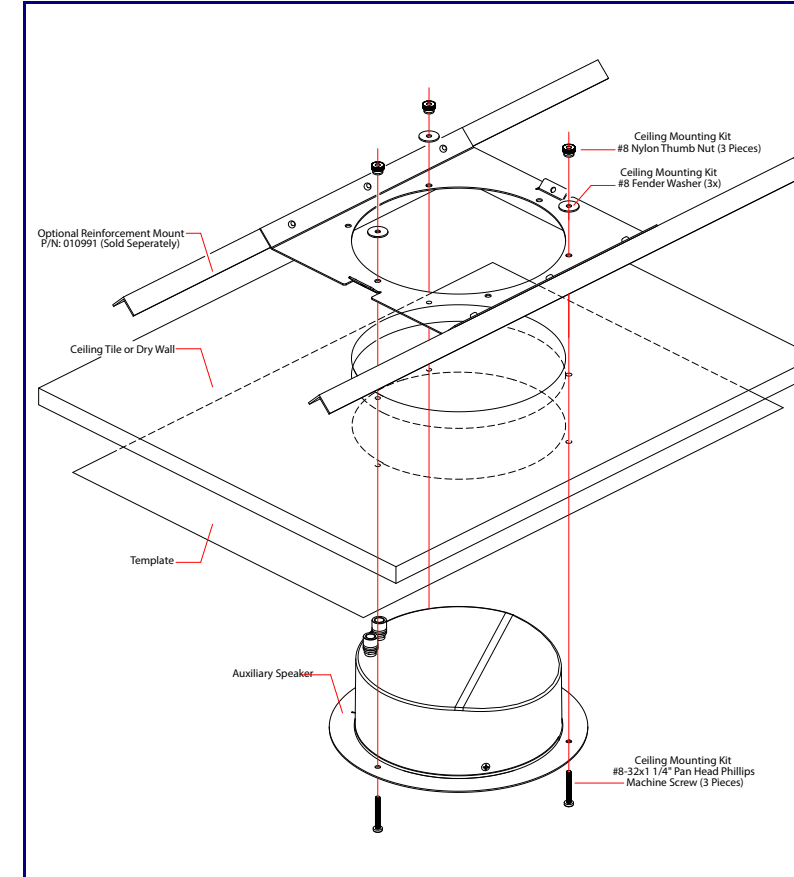
Dimensions



Connections



Ceiling Tile Mounting



To mount a speaker:

1. Use the **TEMPLATE** on the back of this document to cut a hole in the wall or ceiling, and prepare holes for the screws.
 2. Connect the (+) and (-) speaker wire terminal connectors to the binding posts of the speaker assembly.
 3. For drop ceiling mounting, position the **SPEAKER ASSEMBLY** in the ceiling so that its screw holes align with those you prepared.
 4. For drywall mounting, place the three **PLASTIC RIBBED ANCHORS** in the holes you prepared, and position the **SPEAKER ASSEMBLY** over them, aligning the screw holes in the assembly with the anchors.
 5. For drop ceiling mounting*, use the three **8-32 x 1 1/4" MOUNTING SCREWS**, **#8 NYLON THUMB NUTS**, and **#8 FENDER WASHERS** to secure the speaker.
- For drywall mounting, use the three **#6 SHEET METAL SCREWS** to secure the speaker.
- * For weak ceiling tile, CyberData offers a reinforcing mount (CyberData part number 010991).

Drywall Mounting

