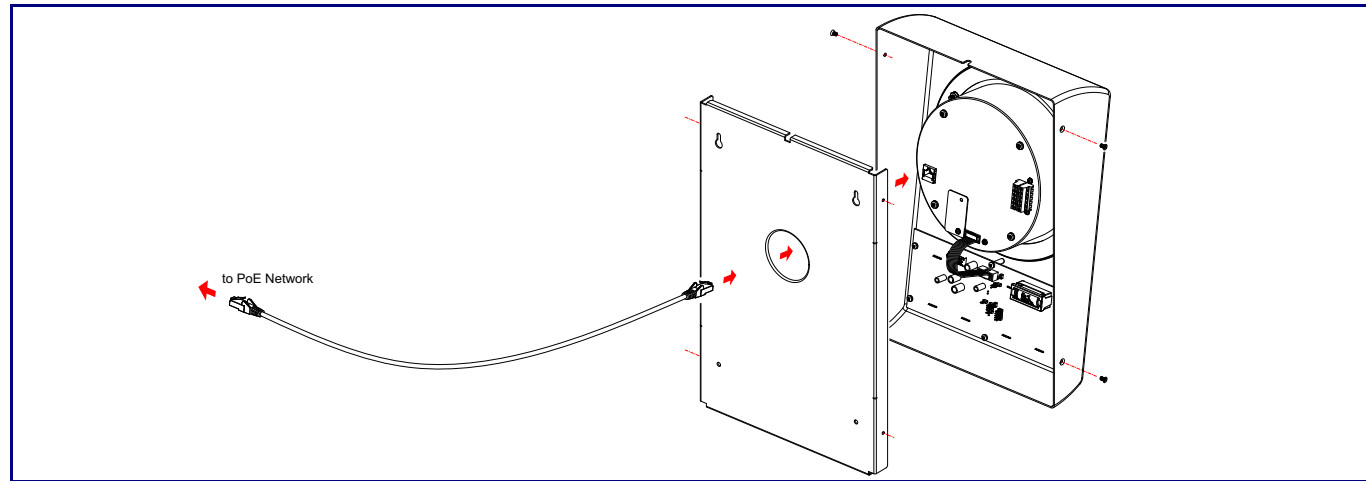
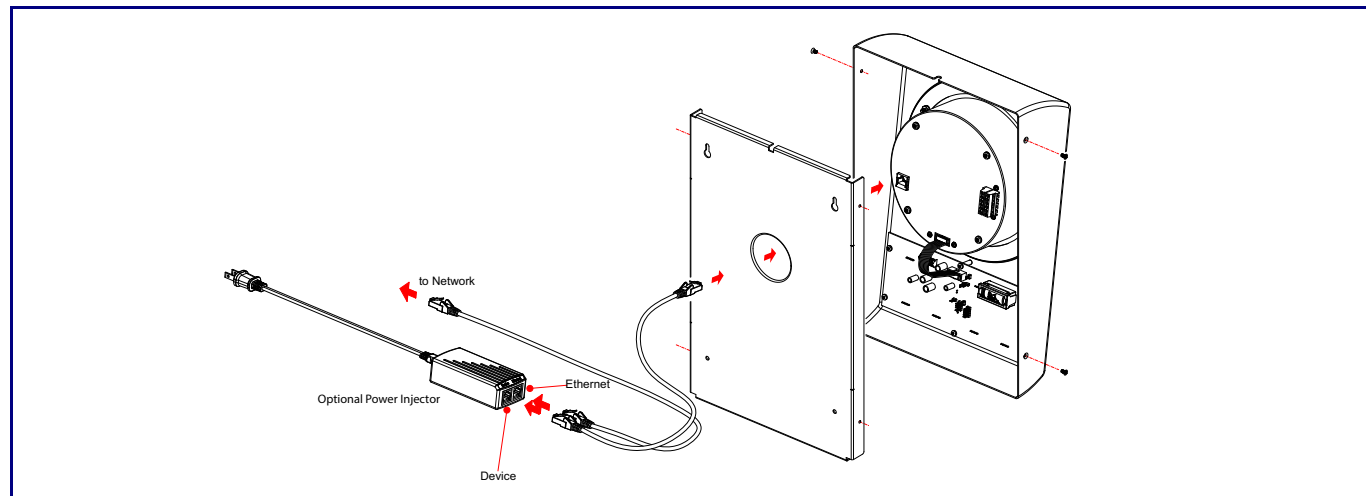


Connecting Power (PoE)



Connecting Power (optional power injector)



Error Codes

Message	Meaning	Action
E01	Time error	This would normally occur at manufacturing first Power On, or at subsequent Power On if the battery was low or dead. If it occurs more frequently, contact CyberData support. Note: If there is an Invalid Time Error, then you will see E 01 on the display for one second and the time will be reset to 00:00 .
E02	Low battery	Replace the battery. See the Operations Guide for instructions. Note: If the Clock Kit battery is low, then at power up, you will see E 02 on the display for one second before displaying the time that is in memory.

Contacting CyberData

Corporate Headquarters

CyberData Corporation
3 Justin Court
Monterey, CA 93940, USA

Phone: 831-373-2601
Fax: 831-373-4193
<http://www.cyberdata.net/>

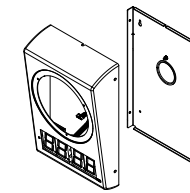
Sales: (831) 373-2601 ext. 334
Support: 831-373-2601 ext. 333
Support Website: <http://support.cyberdata.net/>
RMA Department: (831) 373-2601 ext. 136
RMA Email: RMA@CyberData.net
RMA Status: <http://support.cyberdata.net/>
Warranty Information: <http://support.cyberdata.net/>

Wall Mount Clock Kit

011153*, RAL 9002, Gray White, Standard

011154, RAL 9003, Signal White, Optional

*Replaces the 011023 number.



The documentation for this product is released in an English language version only. You can download PDF copies of CyberData product documentation at:

<https://www.cyberdata.net/products/011153-011154>

WARNING: Electrical Hazard: Hazardous voltages may be present. No user serviceable part inside. Refer to qualified service personnel for connecting or servicing.

WARNING: This product should be installed by a licensed electrician according to all local electrical and building codes.

WARNING: To prevent injury, this apparatus must be securely attached to the floor/wall in accordance with the installation instructions.

WARNING: The PoE connector is intended for intra-building connections only and does not route to the outside plant.

WARNING: This enclosure is not rated for any AC voltages!

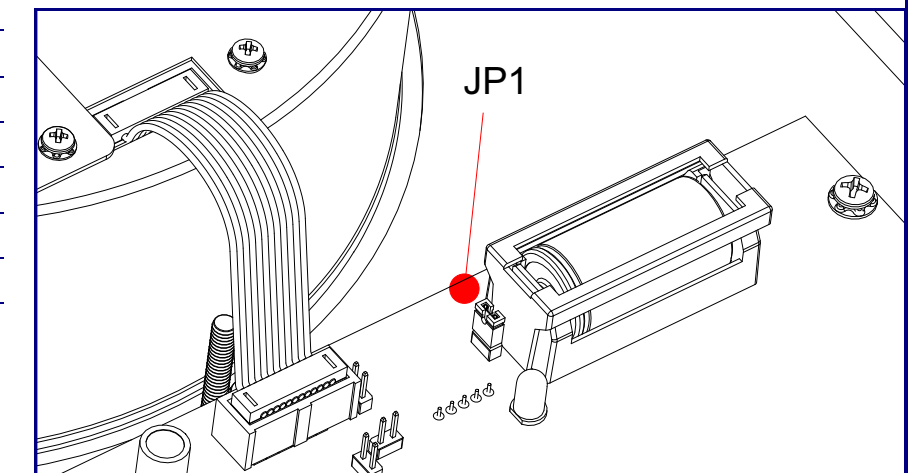
Wall Mount Adapter Parts		(1) Drywall Mounting Kit	<i>*Note: The drywall mounting kit will be included in the ceiling speaker kit.</i>	
(1) Wall Mount Adapter	(1) Template for Wall Mount Adapter and Screw Holes*	(4) Plastic Ribbed Anchors		
		(4) #6 Sheet Metal Screws		
		(4) #6-32 x 0.25-inch FlatHead, 100-degrees Countersunk Machine Screw		
		(3) #8-32 x 0.5 inch Non-Drive Button Head Machine Screw	(3) #8-32 KEP Nut	

Install Jumper JP1 Prior to Installing the Clock Kit

Make sure that jumper JP1 is installed prior to installing the Clock Kit (see the picture on the right). Installing JP1 powers the Real Time Clock from the battery. If you do not install JP1, the clock will lose its time when the power is disconnected.

Jumper Functions:

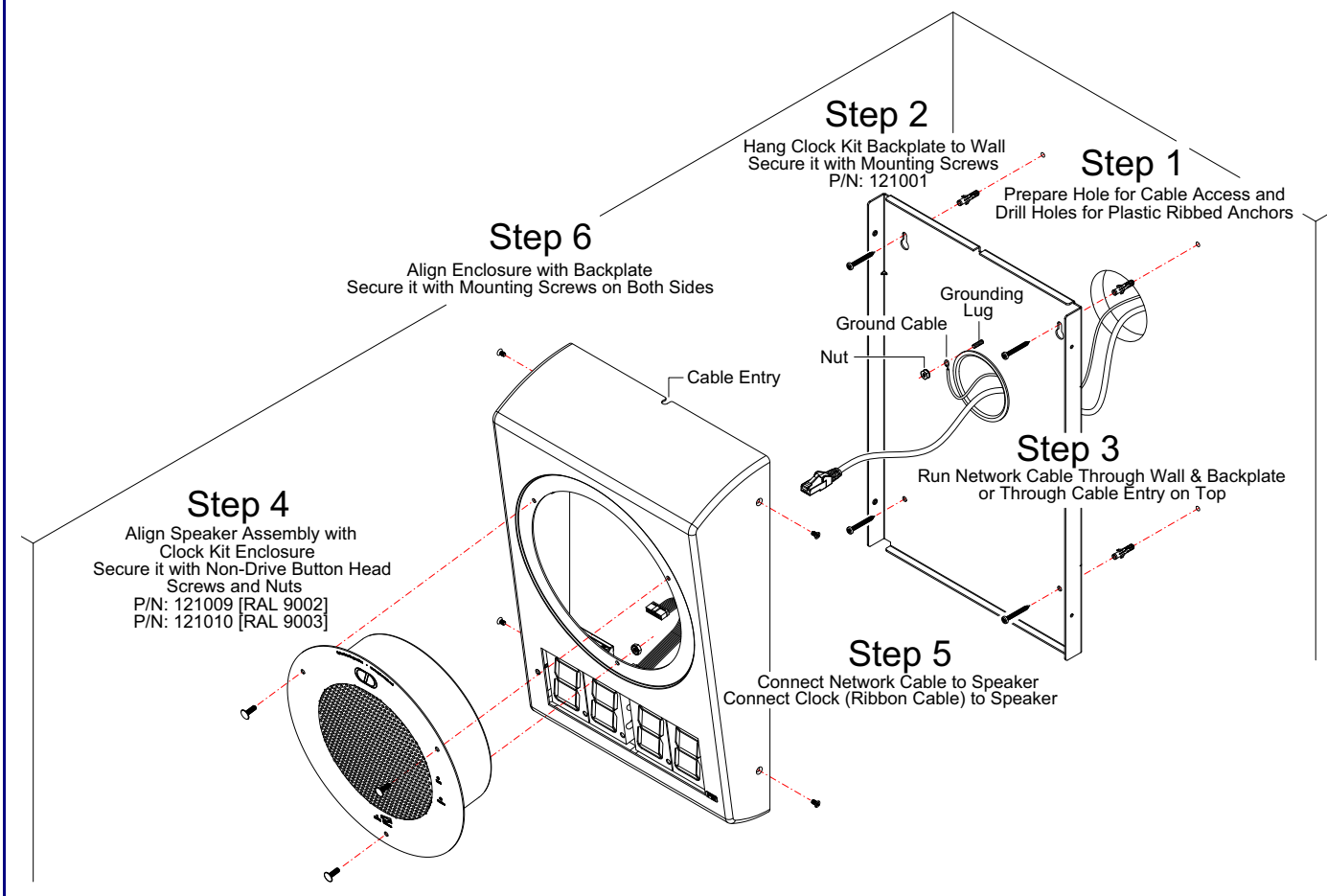
Jumper	Function
JP1	Battery - Connect
JP2	Manufacturing - Open
JP3	Manufacturing - Open
JP4	Manufacturing - Open
JP5	Manufacturing - Open



Mounting Template



Mounting



4.744 [120.50]

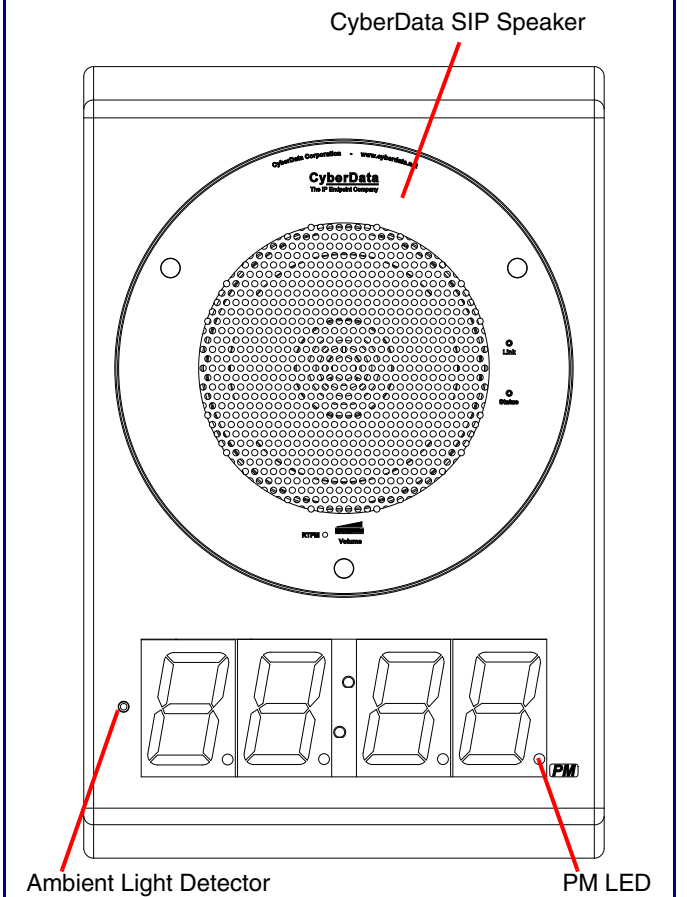
4.000 [101.60]

8.000 [203.20]

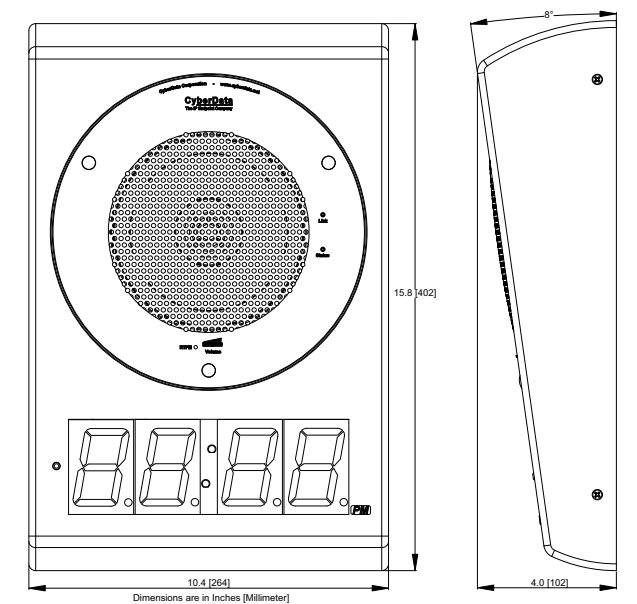
11.811 [300.00]

Dimensions are in Inches [Millimeter]

Features



Dimensions



Note: Before printing this document or the mounting template, check the following:

Make sure that the **Paper Size** setting of the printer is set to **11x 17**.

Make sure that the **Page Scaling** setting of the printer is set to **NONE**.