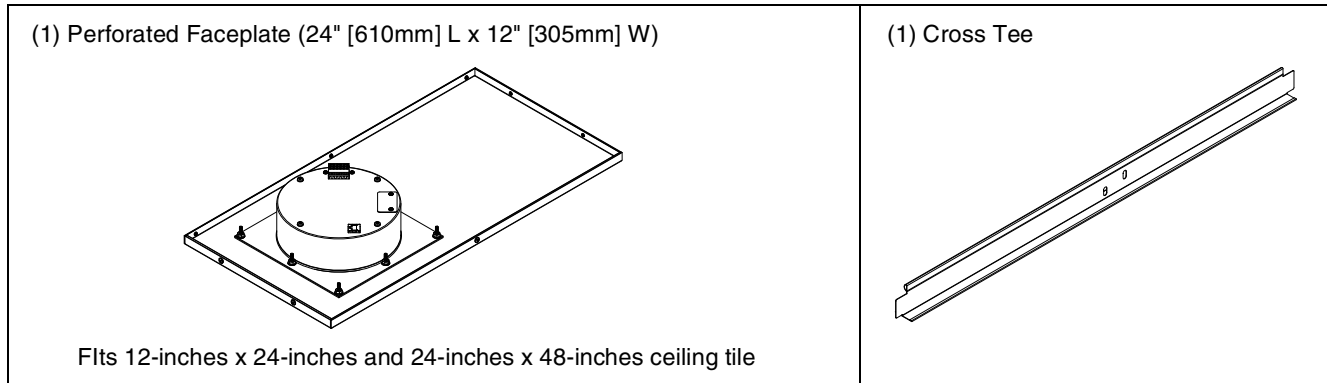


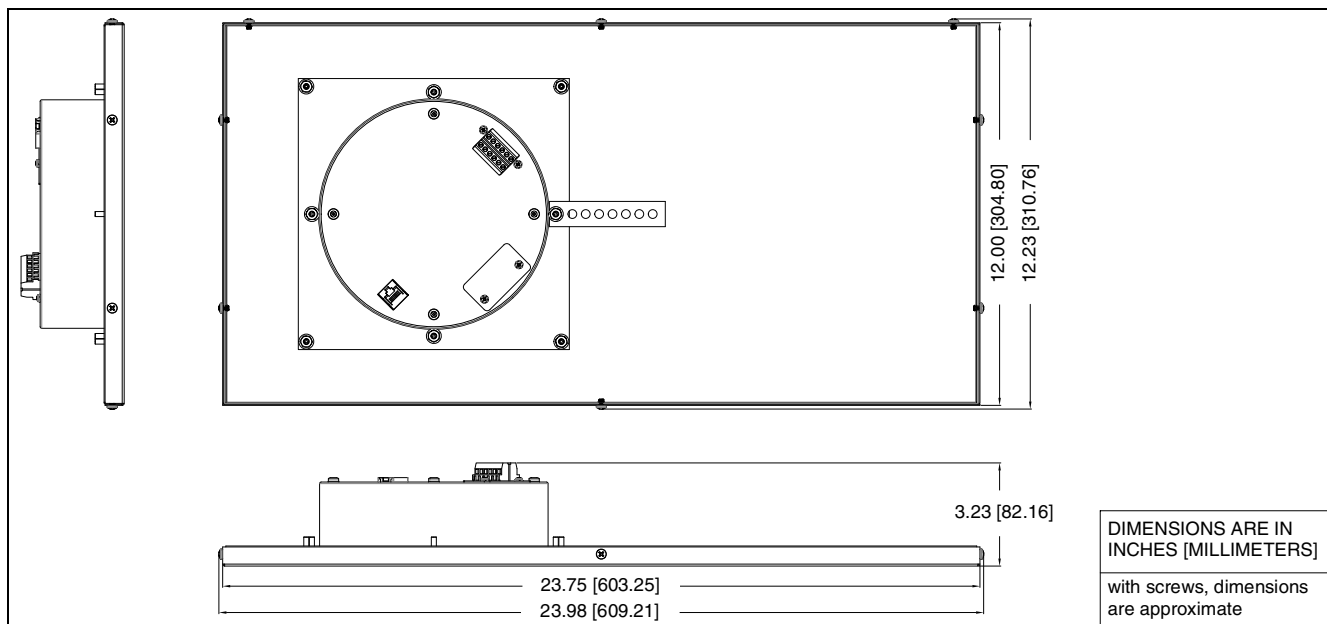
Ceiling Tile Drop-In Speaker, Syn-Apps 011200

The Ceiling Tile Drop-In Speaker is an adapter that is built for a CyberData Ceiling speaker.

Parts



Dimensions

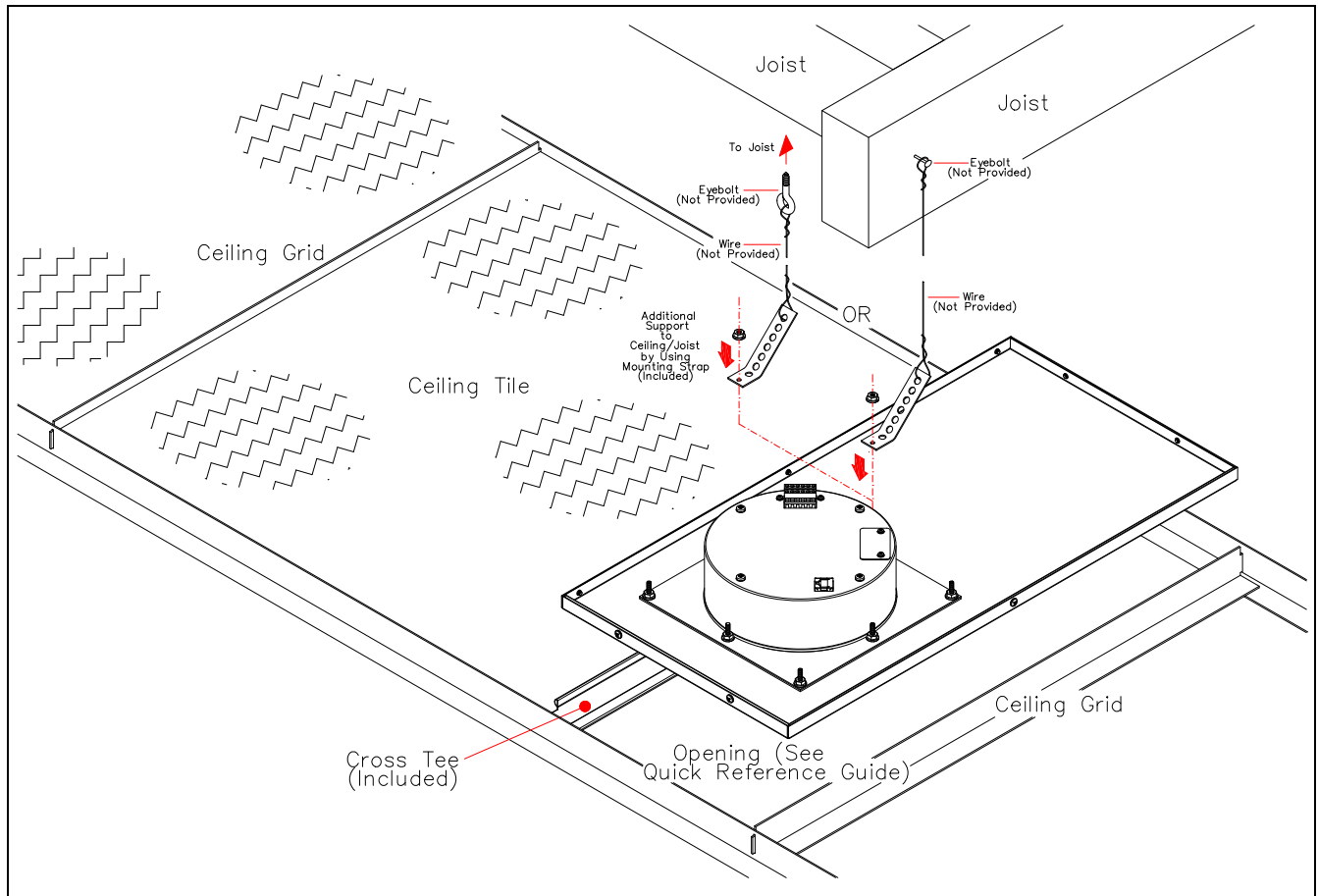


Procedure

To install the Ceiling Tile Drop-In Speaker, refer to the drawing in the "[Installing the Ceiling Tile Drop-In Speaker](#)" section on the other side of this document. Complete the following steps:

1. Remove the ceiling tile from the ceiling (T-tracks).
2. For 2ft. x 4 ft. tile space, cut the ceiling tile to 35-1/2" long or for a 2 ft. x 2ft. tile space, cut to 11-1/2" long.
3. Place the speaker in the ceiling with the tile support rail crossbar facing the ceiling tile opening.
4. Drop in the tile.

Installing the Ceiling Tile Drop-In Speaker



Contacting Syn-Apps

Corporate Headquarters

Syn-Apps LLC
2812 N Norwalk
Suite 112
Mesa, AZ 85215

Phone: 480-664-6071 / 866-664-6071
Fax: 480-659-8999 / 866-659-8999

Website: www.syn-apps.com

Sales: sales@syn-apps.net

Support: <http://www.syn-apps.com/resources/support>

Email: <http://www.syn-apps.com/contact-us>