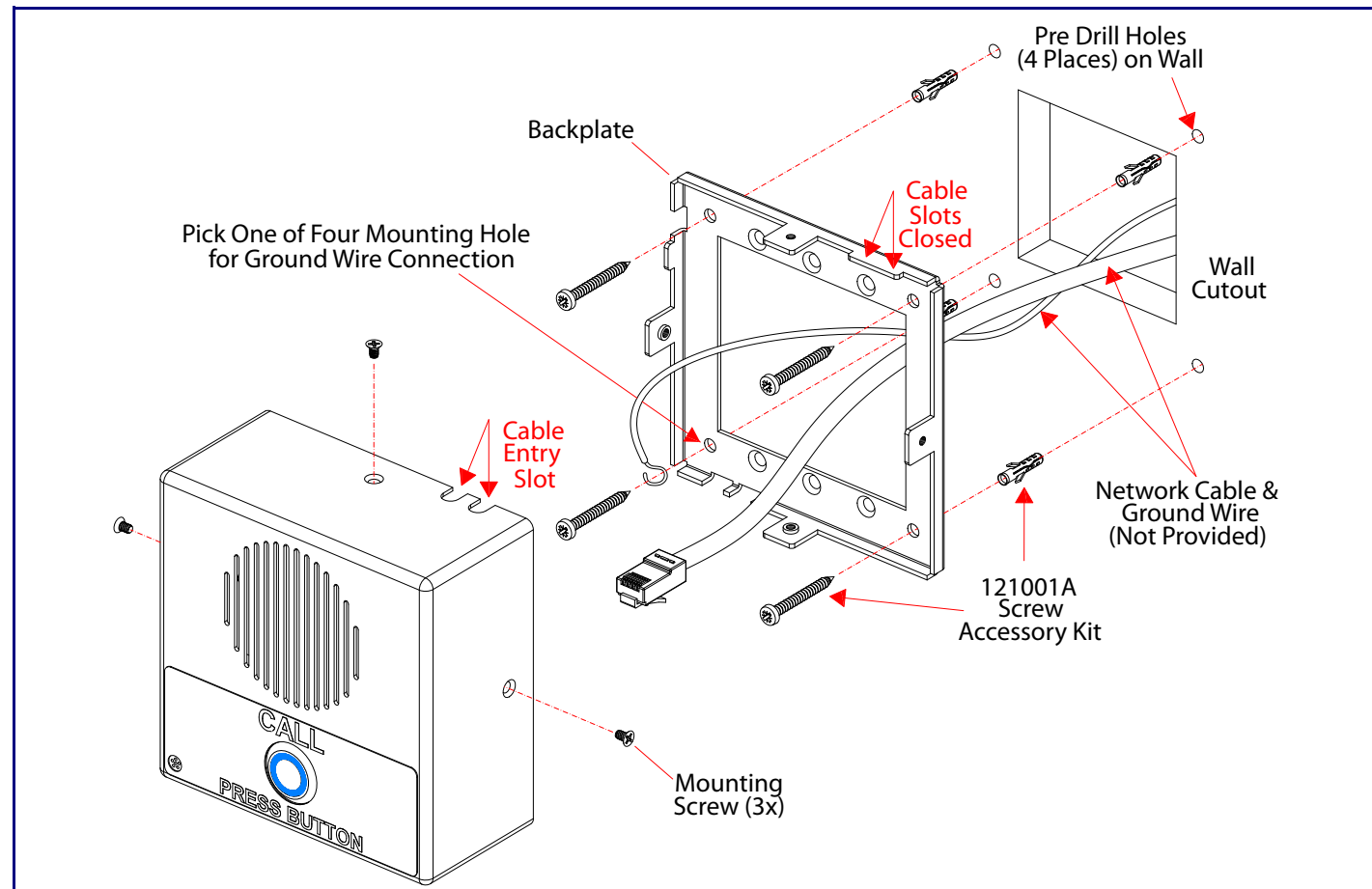
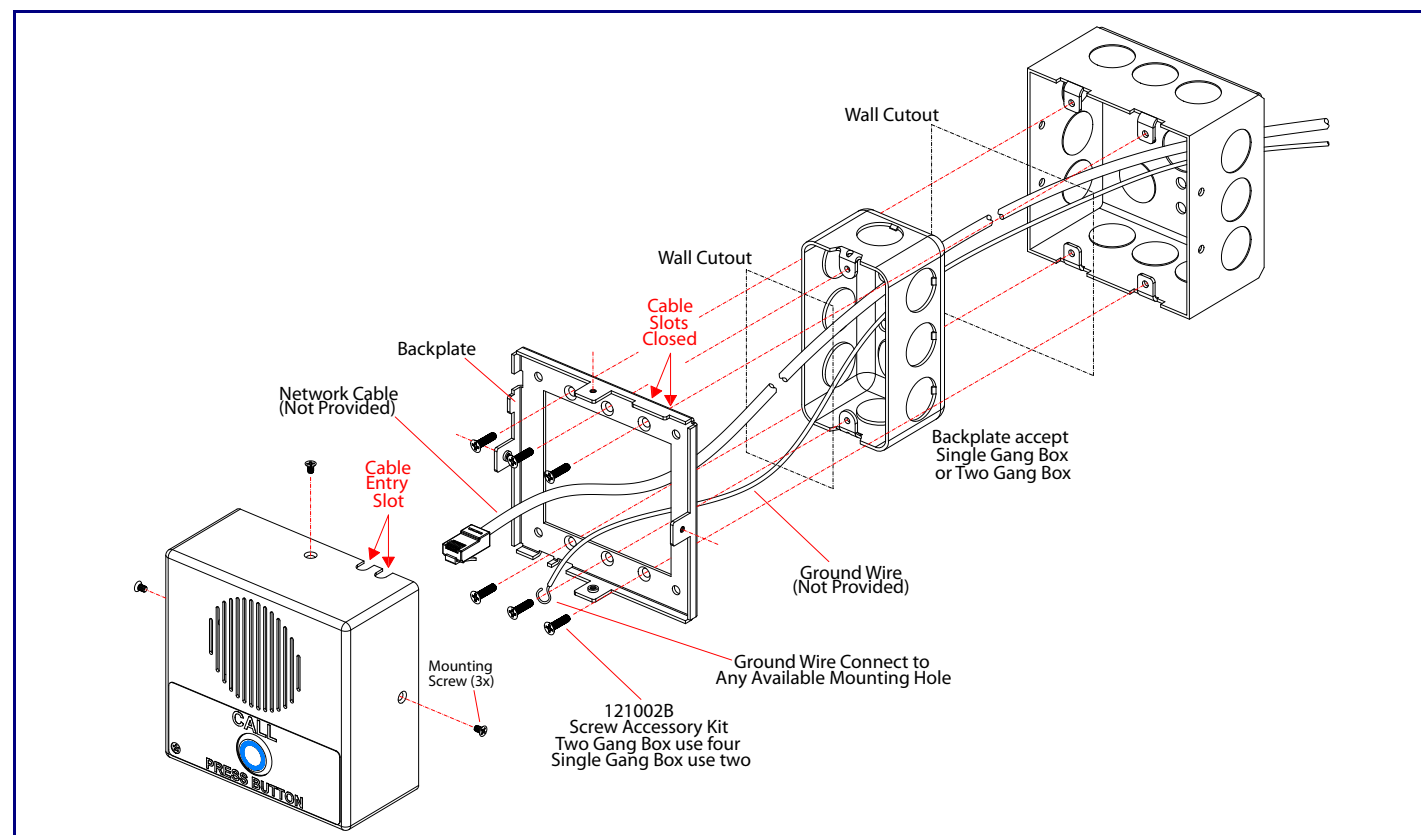


Wall Mounting Options



Gang Box Mounting Options

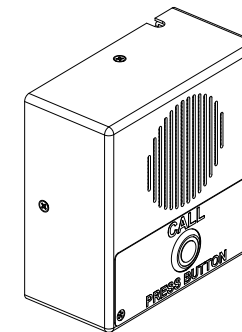


CyberData
The IP Endpoint Company

Installation Quick Reference VoIP V3 Indoor Intercom SIP Compliant

011211*, RAL 9003, Signal White

*Replaces the 011111 number.



Parameter	Factory Default Setting
IP Addressing	DHCP
IP Address ^a	10.10.10.10
Web Access Username	admin
Web Access Password	admin
Subnet Mask ^a	255.0.0.0
Default Gateway ^a	10.0.0.1

a. Default if there is not a DHCP server present.

Getting Started

- Download the *VoIP V3 Indoor Intercom Operations Guide* PDF file from the following web page:
<http://www.cyberdata.net/products/voip/digitalanalog/intercomindoorv3/docs.html>
- Create a plan for the locations of your Intercoms.
- WARNING:** This product should be installed by a licensed electrician according to all local electrical and building codes.
- WARNING:** To prevent injury, this apparatus must be securely attached to the floor/wall in accordance with the installation instructions.
- WARNING:** The PoE connector is intended for intra-building connections only and does not route to the outside plant.
- WARNING:** This enclosure is not rated for any AC voltages!

Parts

(1) Intercom Assembly	(1) Wall Mounting Kit	(1) Gang Box Mounting Kit
	(4) Sheet Metal Screw 	(4) #6-32 FlatHead Countersunk Machine Screw
	(4) Plastic Ribbed Anchor 	

Contacting CyberData

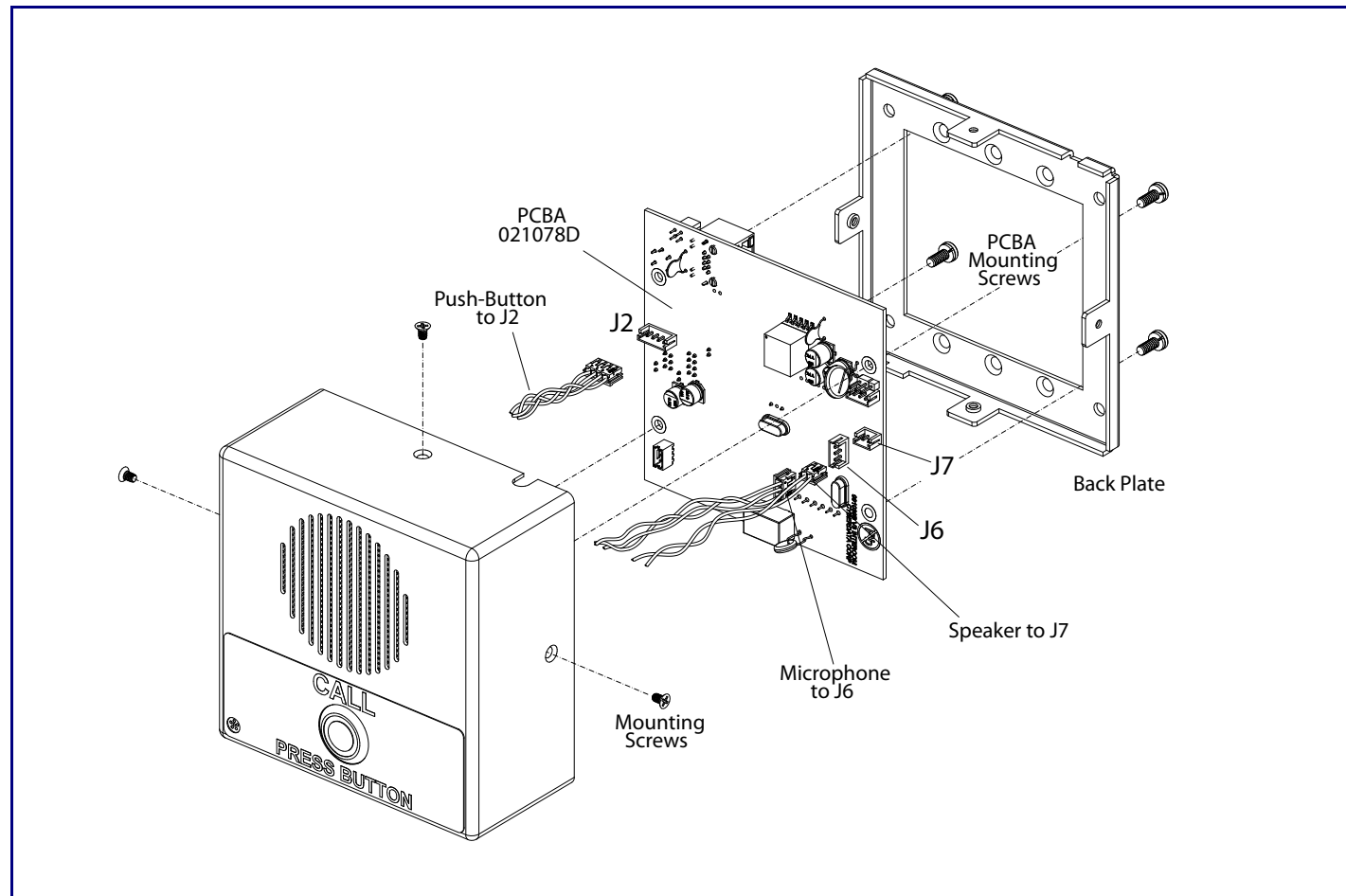
Corporate Headquarters

CyberData Corporation
3 Justin Court
Monterey, CA 93940, USA

Phone: 831-373-2601
Fax: 831-373-4193
<http://www.cyberdata.net/>

Sales: (831) 373-2601 ext. 334
Support: 831-373-2601 ext. 333
Support Website: <http://support.cyberdata.net/>
RMA Department: (831) 373-2601 ext. 136
RMA Email: RMA@CyberData.net
RMA Status: <http://support.cyberdata.net/>
Warranty Information: <http://support.cyberdata.net/>

Cable Connections



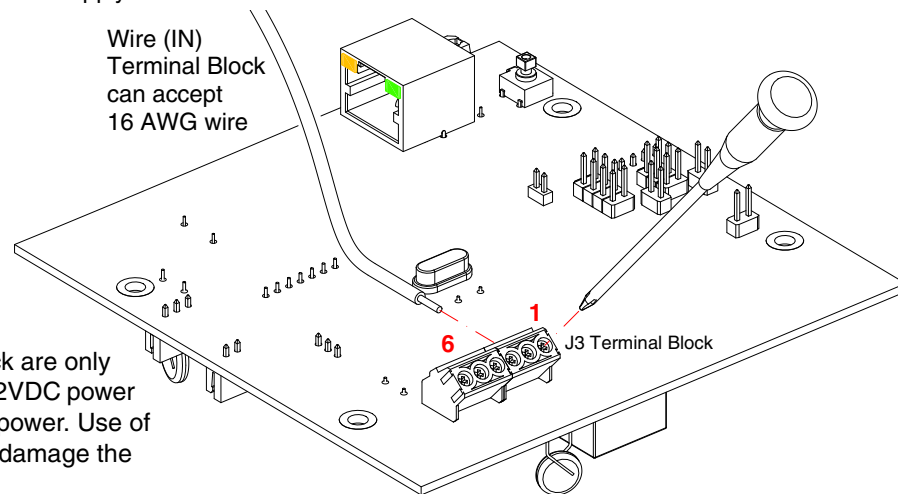
Terminal Block Connections

Alternate Power Input:
 1 = +8 to +12VDC @ 1000mA Regulated Power Supply*
 2 = Power Ground*

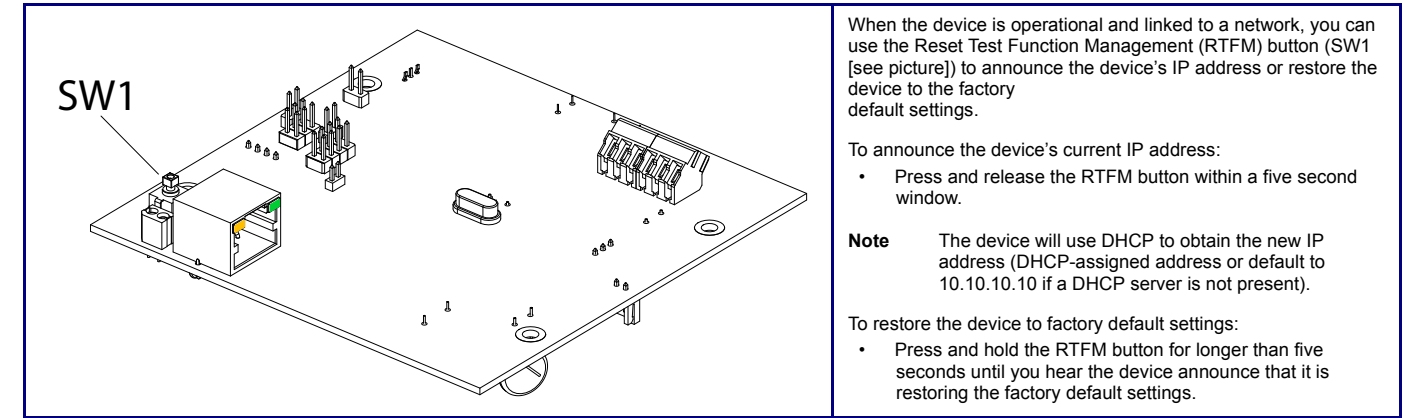


Relay Contact:
 (1 A at 30 VDC for continuous loads)
 3 = Normally Open Common
 4 = Normally Open Contact
 5 = Door Sense Input
 6 = Door Sense Ground Reference

*Contacts 1 and 2 on the J3 terminal block are only for powering the device from a non-PoE 12VDC power source as an alternative to Network PoE power. Use of these contacts for any other purpose will damage the device and void the product warranty.



RTFM Button



When the device is operational and linked to a network, you can use the Reset Test Function Management (RTFM) button (SW1 [see picture]) to announce the device's IP address or restore the device to the factory default settings.

To announce the device's current IP address:

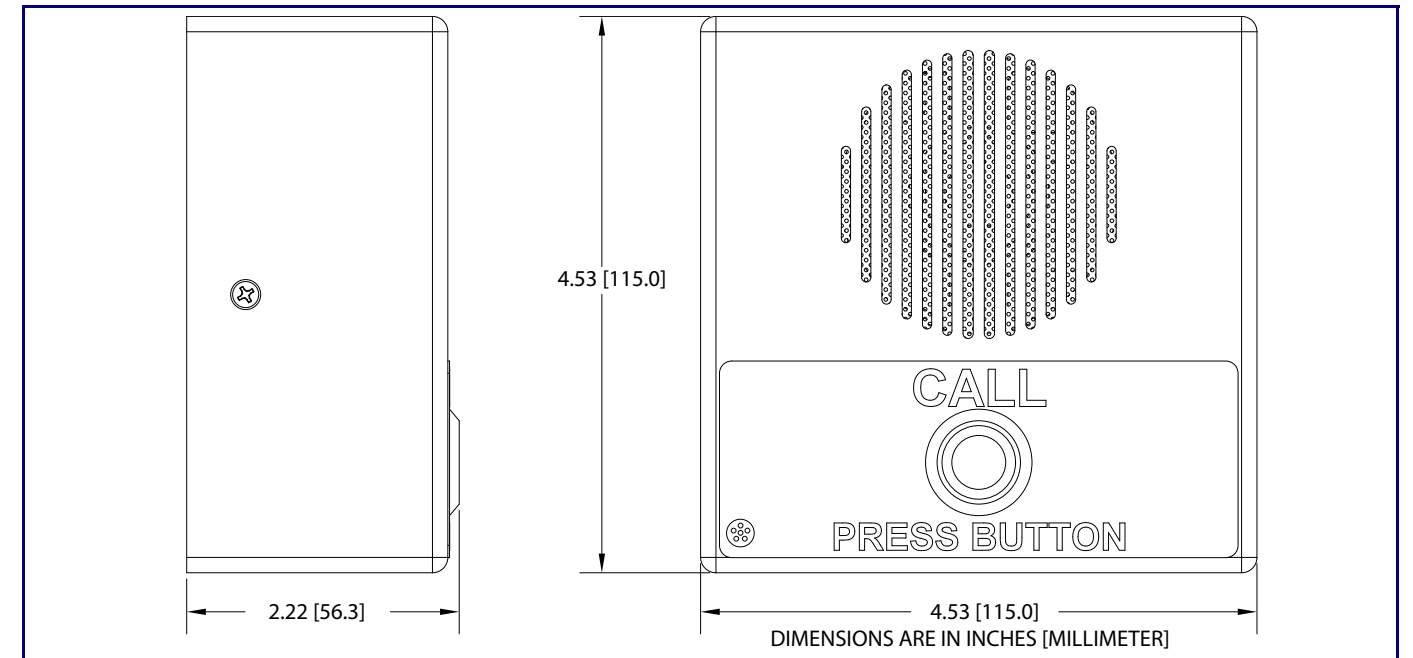
- Press and release the RTFM button within a five second window.

Note The device will use DHCP to obtain the new IP address (DHCP-assigned address or default to 10.10.10.10 if a DHCP server is not present).

To restore the device to factory default settings:

- Press and hold the RTFM button for longer than five seconds until you hear the device announce that it is restoring the factory default settings.

Dimensions



Maximum Recommended Wall Cutout Dimensions

