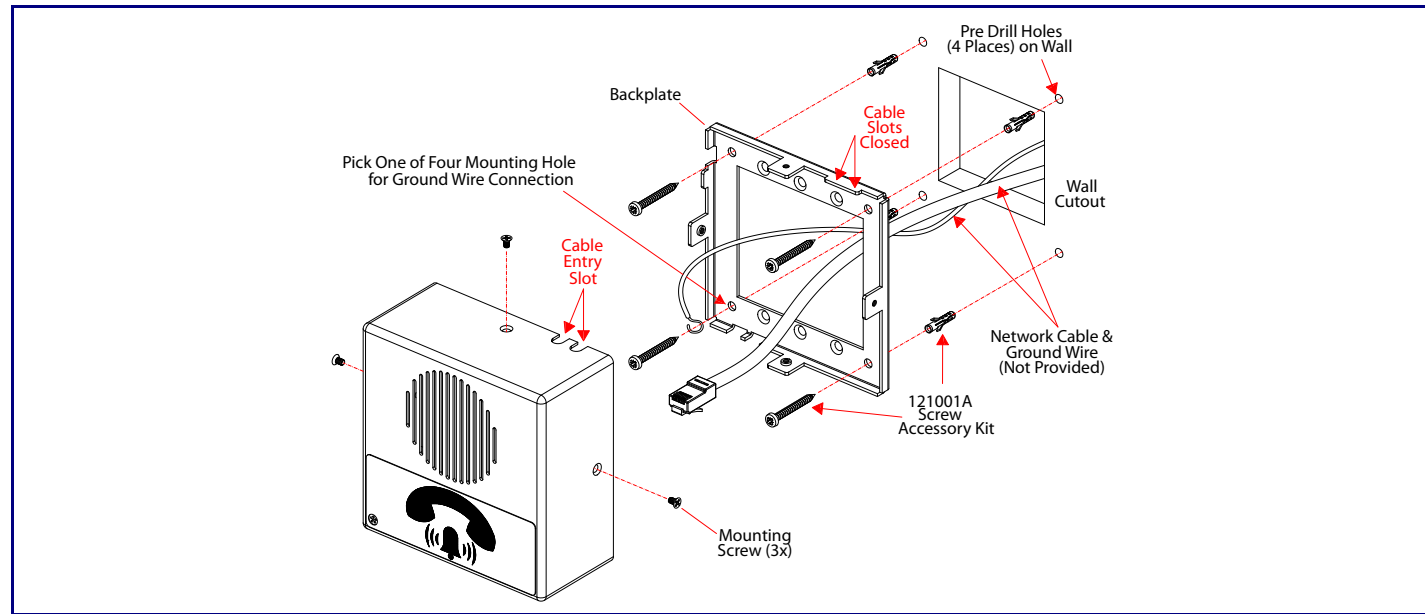
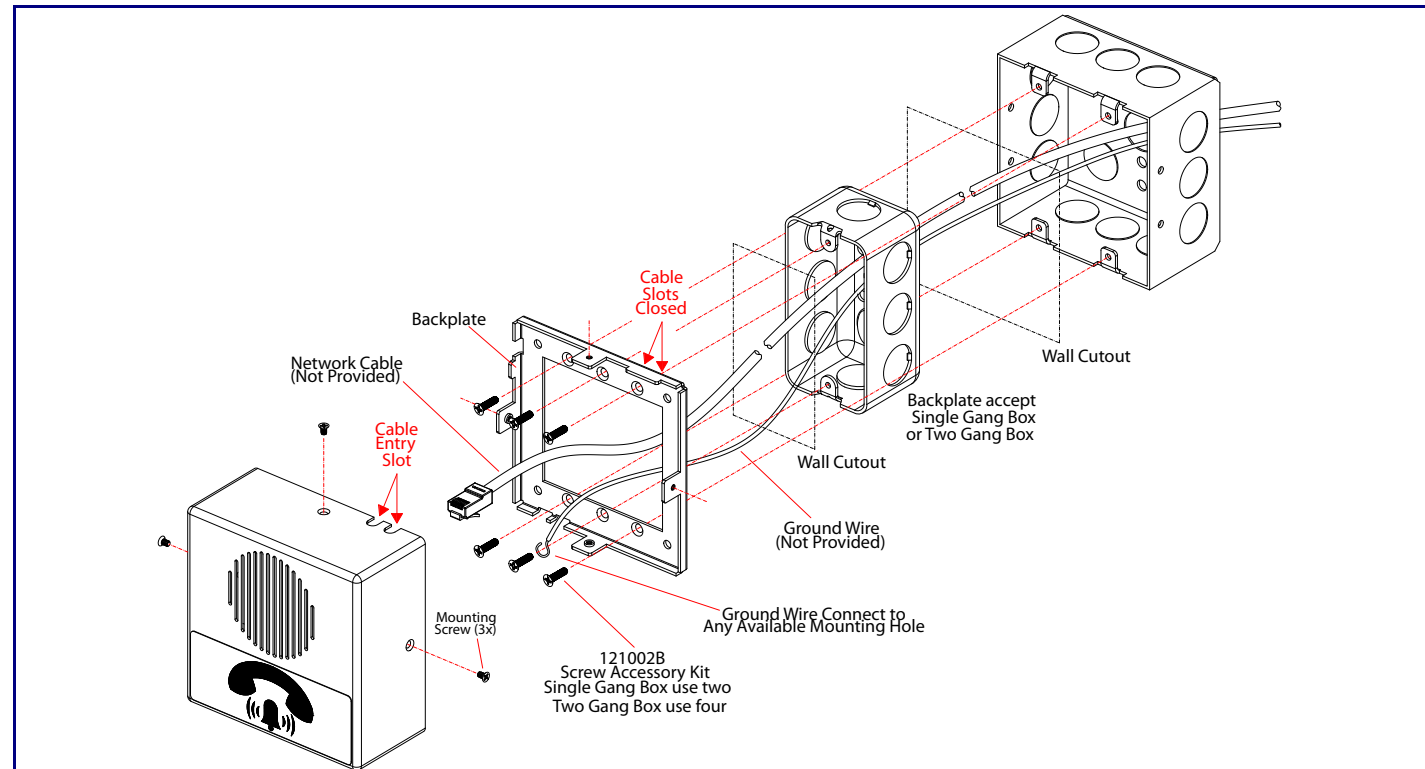


Wall Mounting Options



Gang Box Mounting Options



Contacting CyberData

Corporate Headquarters

CyberData Corporation
3 Justin Court
Monterey, CA 93940, USA

Phone: 831-373-2601
Fax: 831-373-4193
<http://www.cyberdata.net/>

Sales: (831) 373-2601 ext. 334
Support: 831-373-2601 ext. 333
Support Website: <http://support.cyberdata.net/>
RMA Department: (831) 373-2601 ext. 136
RMA Email: RMA@CyberData.net
RMA Status: <http://support.cyberdata.net/>
Warranty Information: <http://support.cyberdata.net/>

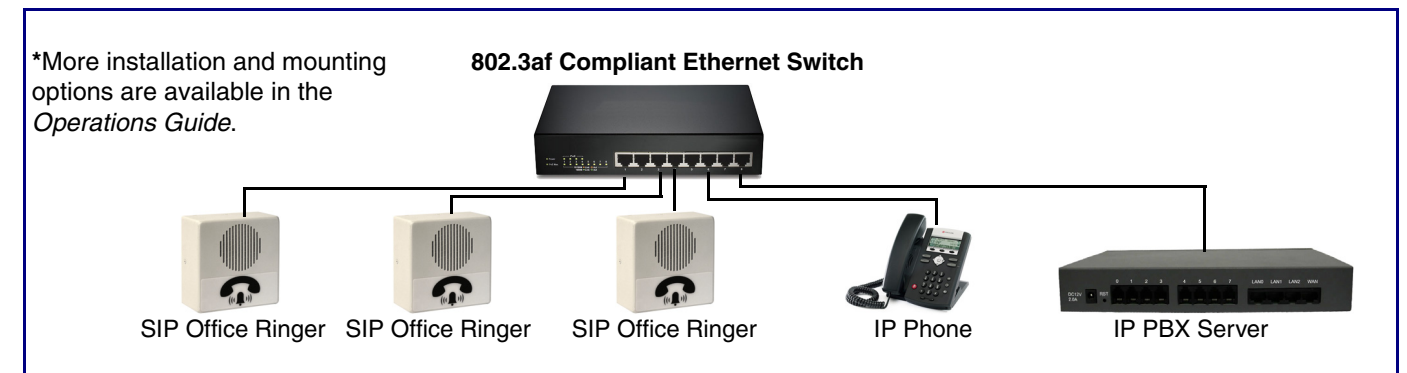
Installation Quick Reference SIP Office Ringer SIP Compliant 011216



Parameter	Factory Default Setting
IP Addressing	DHCP
IP Address ^a	10.10.10.10
Web Access Username	admin
Web Access Password	admin
Subnet Mask ^a	255.0.0.0
Default Gateway ^a	10.0.0.1

a. Default if there is not a DHCP server present.

Typical System Installation



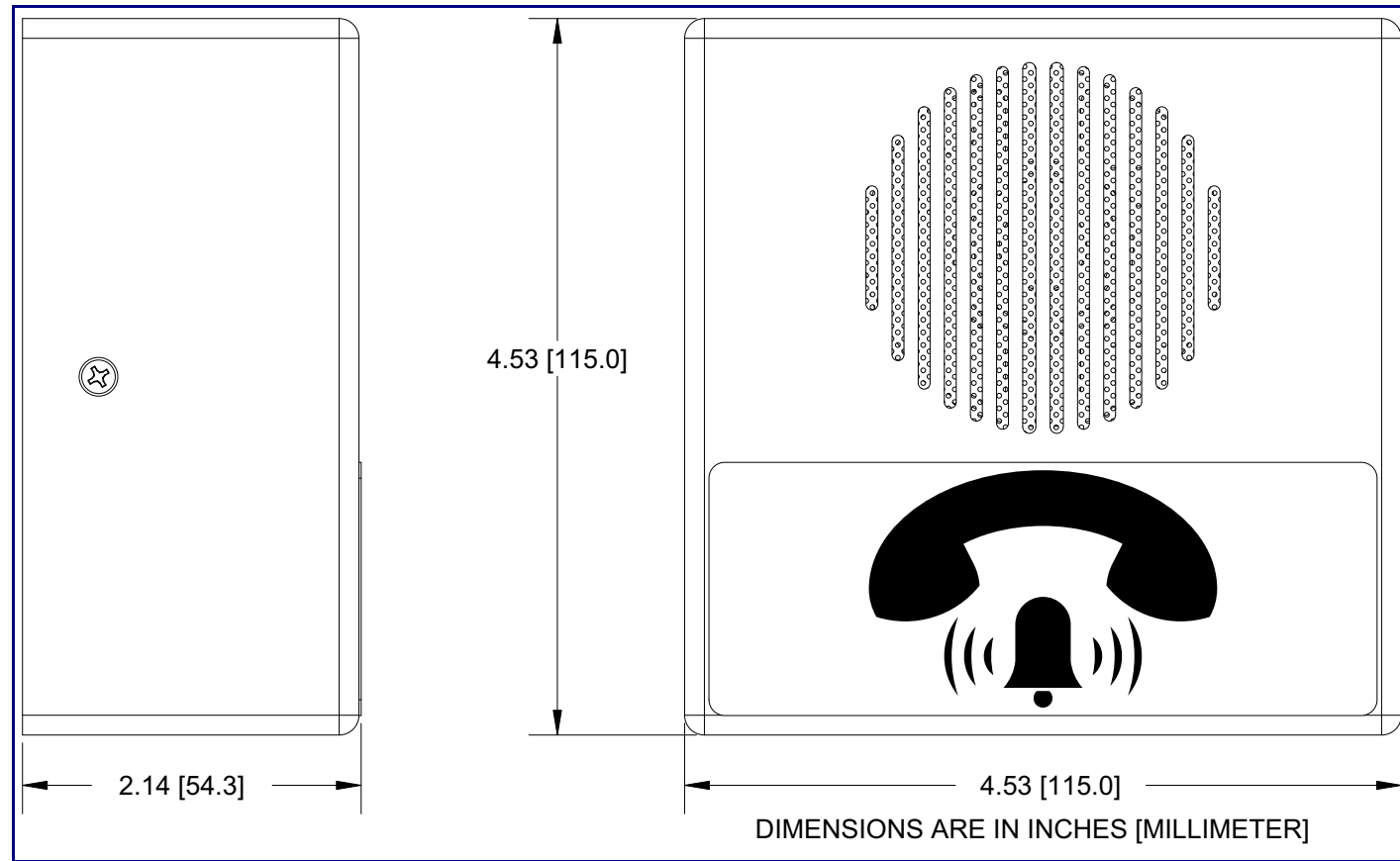
Getting Started

- Download the *Operations Guide* PDF file, from the **Downloads** tab at the following webpage:
<http://www.cyberdata.net/voip/011216/>
- Create a plan for the locations of your Office Ringers.
- **WARNING: This product should be installed by a licensed electrician according to all local electrical and building codes.**
- **WARNING: To prevent injury, this apparatus must be securely attached to the floor/wall in accordance with the installation instructions.**
- **WARNING: The PoE connector is intended for intra-building connections only and does not route to the outside plant.**
- **WARNING: This enclosure is not rated for any AC voltages!**

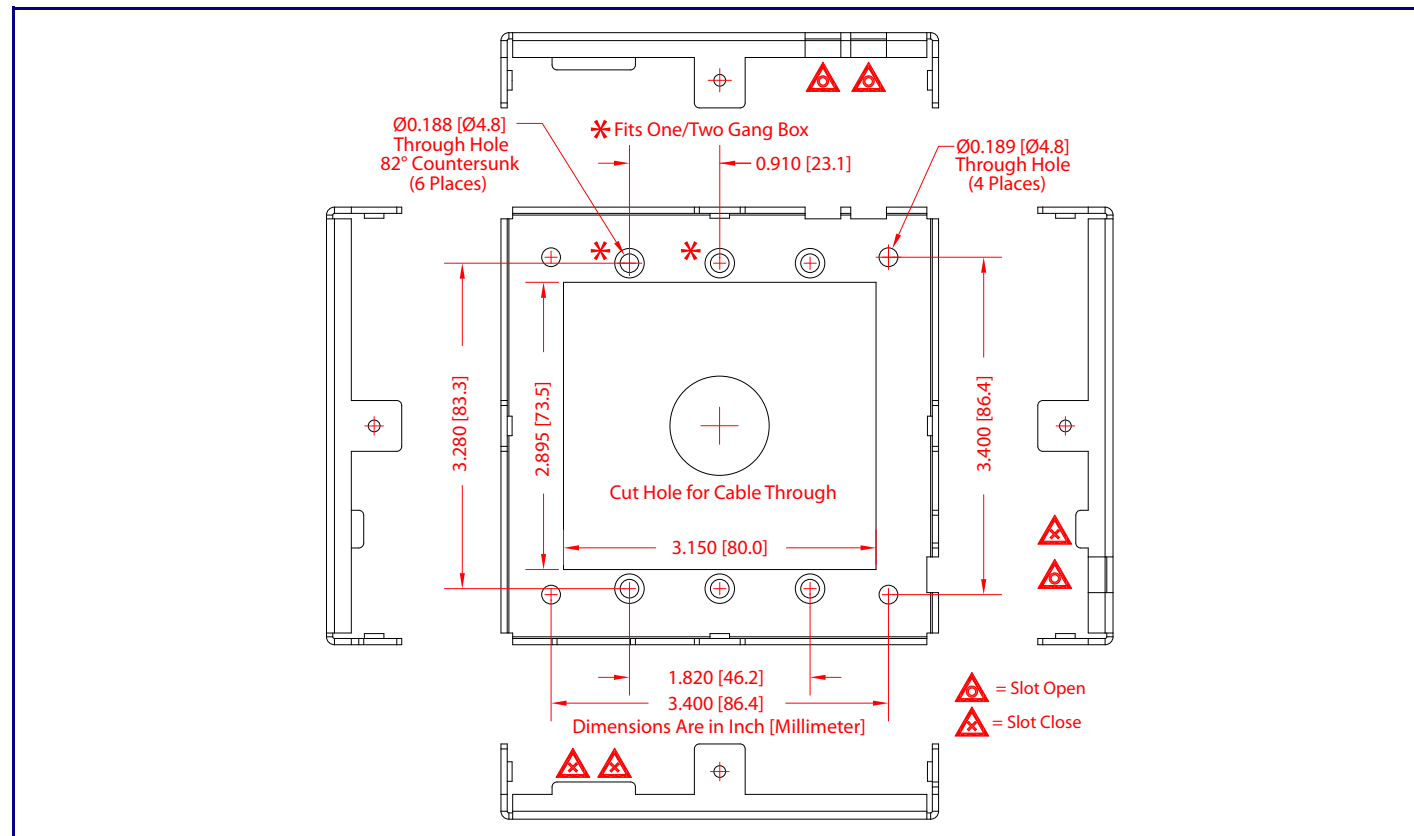
Parts

(1) Office Ringer Assembly	(1) Wall Mounting Kit	(1) Gang Box Mounting Kit
	 (4) #6 x 1.25-inch Sheet Metal Screw	 (4) 6-32 x 0.5-inch flat undercut Phillips machine screw
	 (4) Plastic ribbed anchor	

Dimensions



Dimensions for Wall Mounting and One / Two Gang Box Mounting



RTFM Button

RTFM button (SW1)

When the device is operational and linked to a network, you can use the Reset Test Function Management (RTFM) button (SW1 [see picture]) to announce the device's IP address or restore the device to the factory default settings.

To announce the device's current IP address:

- Press and release the RTFM button within a five second window.

Note The device will use DHCP to obtain the new IP address (DHCP-assigned address or default to 10.10.10.10 if a DHCP server is not present).

To restore the device to factory default settings:

- Press and hold the RTFM button for longer than five seconds until you hear the device announce that it is restoring the factory default settings.

Terminal Block Connections

Alternate Power Input:

1 = +8 to +12VDC @ 1000mA Regulated Power Supply*

2 = Power Ground*

Relay Contact:

(1 A at 30 VDC for continuous loads)

3 = Relay Common

4 = Relay Normally Open Contact

5 = Sense Input

6 = Sense Ground

7 = Remote Switch "A"

8 = Remote Switch "B"

Wire (IN)

0.25"

1

8

Terminal Block can accept 16 AWG wire

Use a 3.17 mm (1/8-inch) flat blade screwdriver for the terminal block screws

*Contacts 1 and 2 on the terminal block are only for powering the device from a non-PoE 12VDC power source as an alternative to Network PoE power. Use of these contacts for any other purpose will damage the device and void the product warranty.

Plug in the Network Cable and Create Service Loop

