

SIP Paging Adapter

The CyberData SIP Paging Adapter is a VoIP endpoint that interfaces analog paging systems with SIP and Multicast-based audio sources. The SPA (SIP Paging Adapter) can be configured to support two separate SIP extensions. SIP extension one passes audio through to the analog output spoken from the caller's handset. When called, SIP extension two plays a bell audio that can be used as a night ringer when configured in a night ring group. The SPA supports up to 9 user-loadable messages that can be played by a DTMF command. The SPA supports a line-level input for playing background music.



Can receive pages directly from Polycom phones

Features

- Two SIP extensions*
- Can page directly to Polycom phones
- HTTP Command Interface
- 9 user-uploadable page messages
- 10 channel prioritized Multicast ports
- HTTP Web Interface and setup
- G711 A-Law and u-Law, G.722 codecs
- Built-in diagnostics
- 10k Ohm input for background music
- 600 Ohm Balanced audio out
- Unbalanced Line-Out
- Remote amp fault sensor
- DTMF and programmatic controlled Relay
- Delayed page support
- DTMF pass-through
- Cisco SRST
- 10/100 802.3af PoE

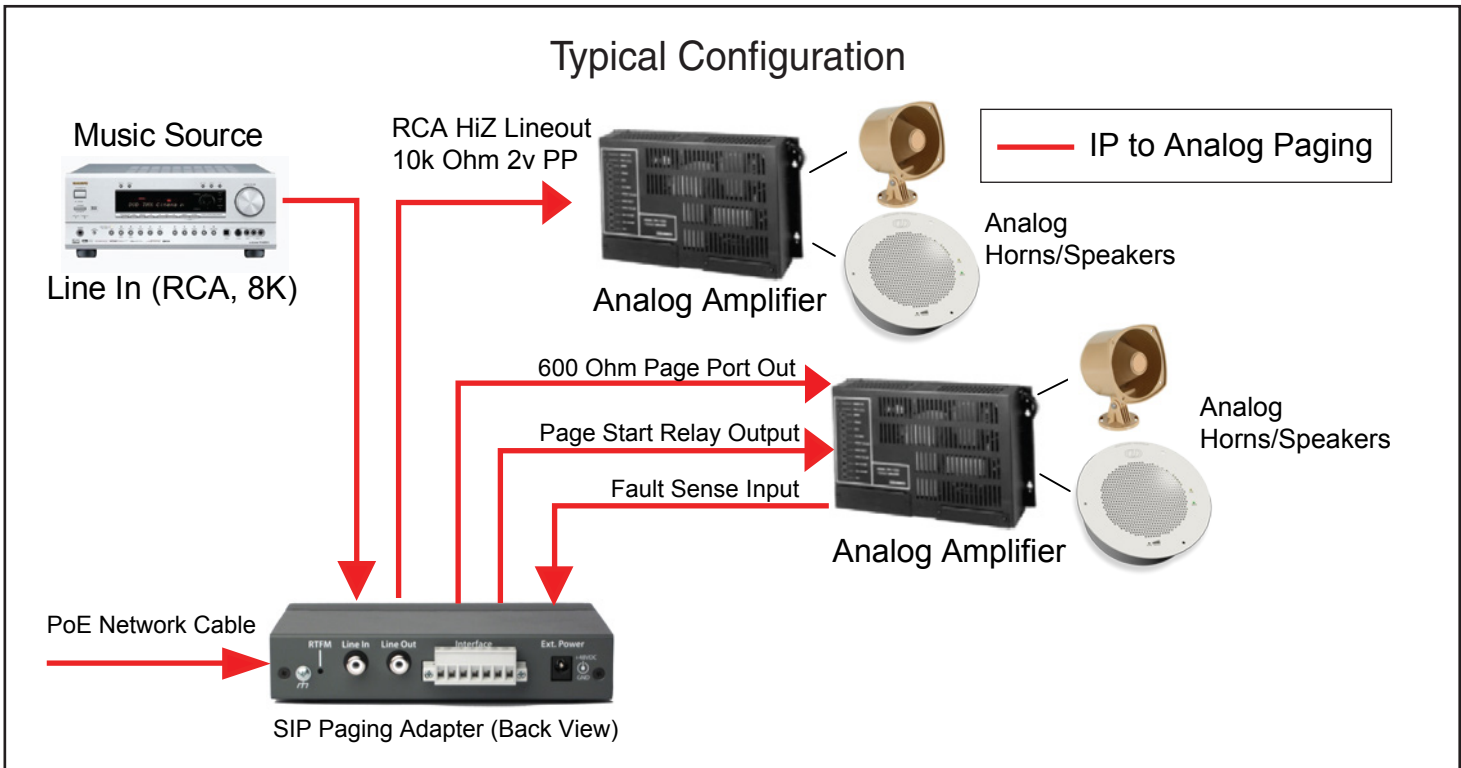
Specifications

Protocol	SIP RFC 3261 Compatible
Ethernet I/F	10/100 Mbps
Power Input	PoE 802.3af or 48VDC
Operating Range	Temperature: -40°C to 55°C (-40° F to 131° F) Humidity: 5-95%, non-condensing
Payload Types	G711, A-law and μ -law, G.722
Page Port Output	Balanced 600 Ohm 5VPP
Line In:	
Input Signal Amplitudes	2.0 VPP maximum
Input Impedance	10k Ohm
Line Out:	
Output Signal Amplitudes	2.0 VPP maximum
Output Level	+2dBm nominal
Total Harmonic Distortion	0.5% maximum
Output Impedance	10k Ohm
Dimensions	6.11 inches [155.19 mm] Length 4.05 inches [102.87 mm] Width 1.15 inches [29.21 mm] Height
Boxed Weight	1.8 lbs.
Compliance	UL 62368-1, RoHS Compliant, FCC; Part 15 Class A, IEEE 802.3 Compliant; Reference Number for UL: E129569 Vol 4 Sec 1
Warranty	2 years limited
Part Number	011233

*One of these extensions is a dedicated "night ringer," which is not capable of answering a call, and will only play a stored message while the call is ringing.

SIP Paging Adapter

Typical Configuration



Connections

