

InformaCast® Enabled Paging Adapter

The CyberData InformaCast® Enabled Paging Adapter is for use with Singlewire's InformaCast paging and emergency notification software. The Paging Adapter provides a direct connection to legacy analog paging systems enabling InformaCast paging events to be broadcast.



Features

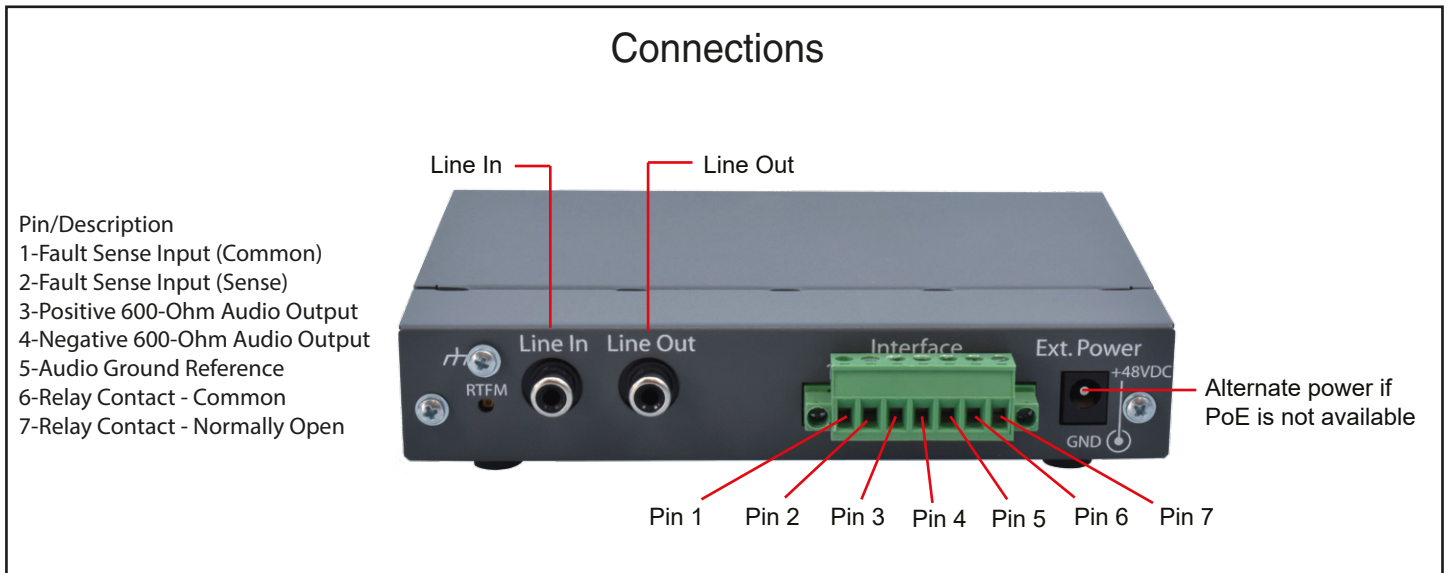
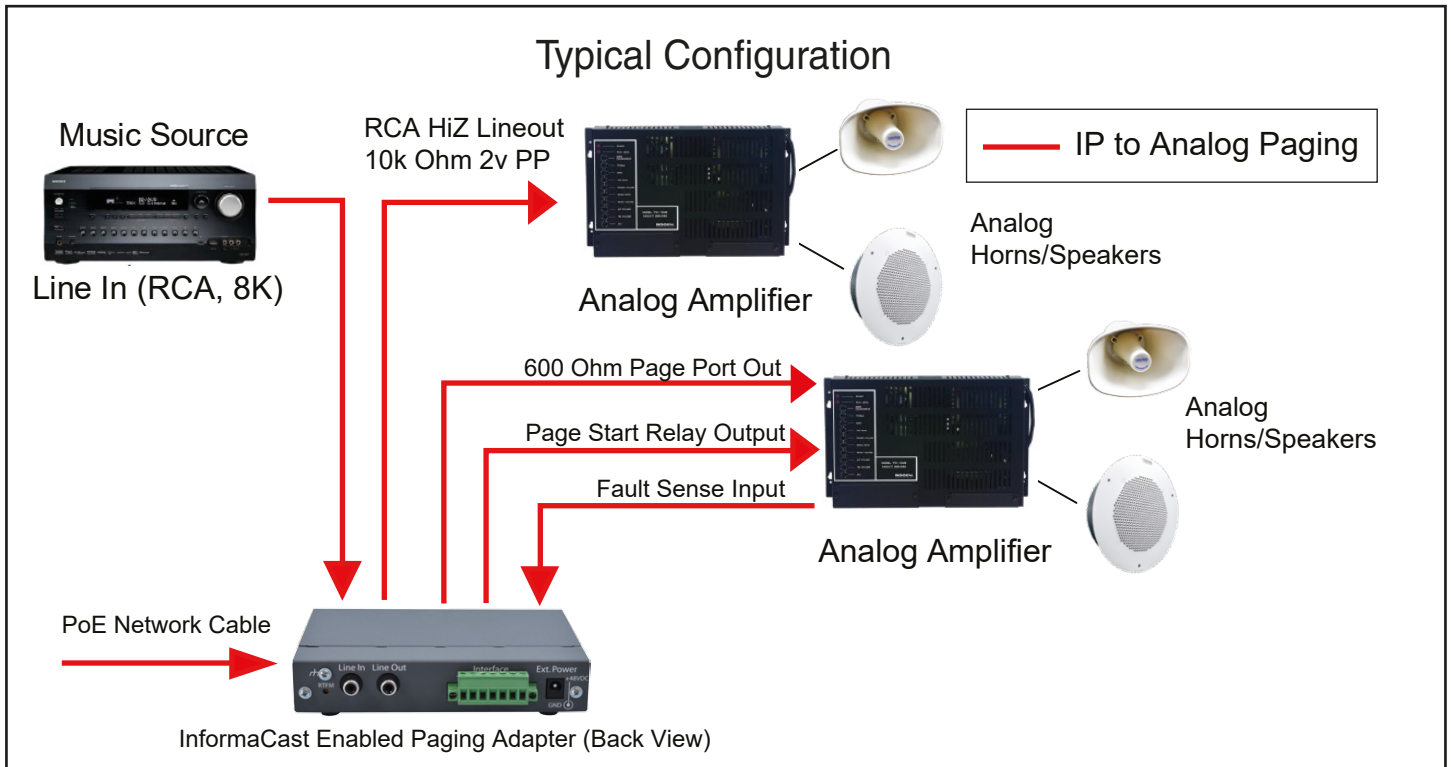
- Compatible with Singlewire InformaCast v12.1, including support for downloading SIP credentials from InformaCast
- Supports Singlewire InformaCast High Quality Audio
- Capable of receiving Singlewire InformaCast, SIP, and multicast messages
- Support for InformaCast resiliency
- Support for Cisco SRST resiliency
- Compatible with most analog amplifiers in the market
- Supports audio prioritization, including 10 multicast paging groups
- Loud/Night Ringer function - second SIP extension
- 9 user-uploadable page messages
- Supports delayed pages with call buffering
- Support for security code to prevent unwanted SIP calls
- Can receive pages directly from Poly phones as well as other devices that can send standard multicast
- Sense input capable of generating events or SIP calls
- Built-in diagnostics
- Line-in for background music
- Line-out connector
- Remote amp fault sensor
- Audio controlled relay/remote amplifier enable
- DTMF entries for analog paging zones
- Rack mountable
- TLS 1.2 (including mutual authentication) and SRTP enhanced security for IP Endpoints in a local or cloud-based environment
- HTTPS or HTTP web-based configuration - HTTPS is enabled by default
- Autoprovisioning via HTTPS, HTTP or TFTP
- Configurable event generation for device health and status monitoring
- 802.11q VLAN tagging
- HTTP command interface

Specifications

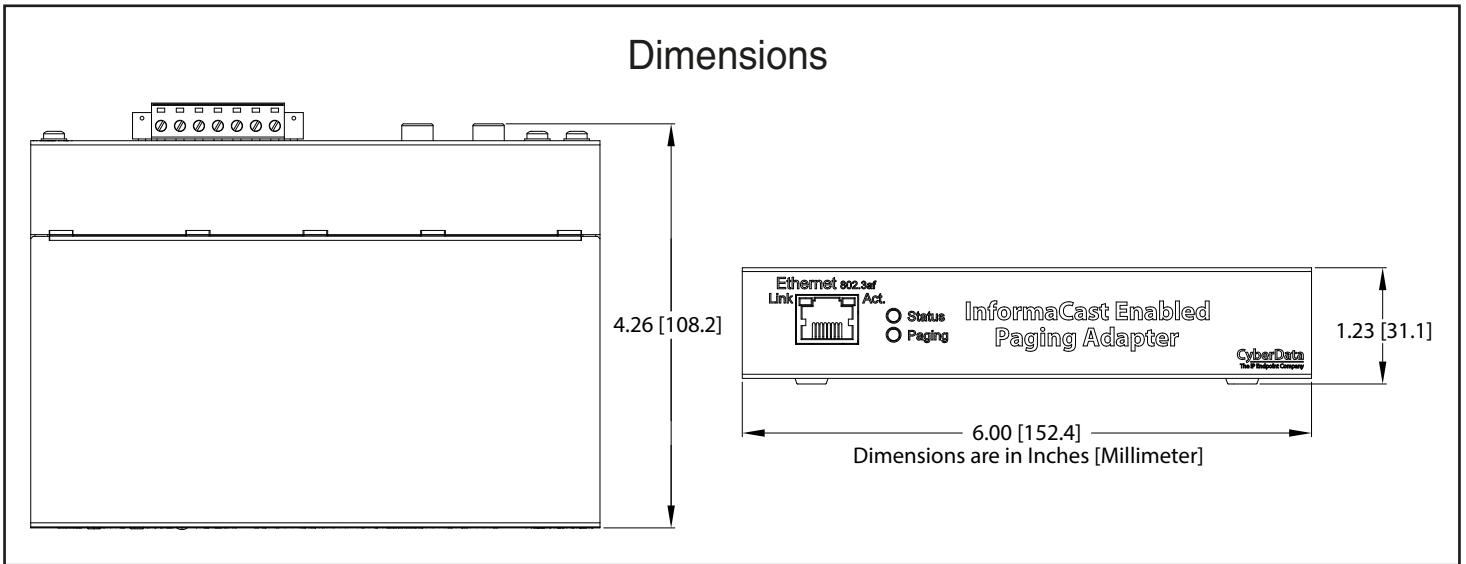
Ethernet I/F	10/100 Mbps
Protocol	SIP RFC 3261 Compatible
Notification Software	Singlewire InformaCast v4.0 and above
Power Input	PoE 802.3af or 48 VDC
Line In:	
Input Signal Amplitudes	2.0 VPP maximum
Input Impedance	10k Ohm
Line Out:	
Output Signal Amplitudes	2.0 VPP maximum
Output Level	+2dBm nominal
Total Harmonic Distortion	0.5% maximum
Output Impedance	10k Ohm
Page Port Output	Balanced 600 Ohm 5VPP
Payload Types	G.711 a-law, G.711μ-law, G.722, and G.729
Network Security	TLS 1.2, SRTP, HTTPS
Operating Range	Temperature: -40° C to 55° C (-40° F to 131° F) Humidity: 5-95%, non-condensing
Storage Temperature	-40° C to 70° C (-40° F to 158° F)
Storage Altitude	Up to 15,000 ft. (4573 m)
Dimensions*	6.11 inches [155.19 mm] Length 4.05 inches [102.87 mm] Width 1.15 inches [29.21 mm] Height
Weight	1.2 lbs. [.54 kg]
Boxed Weight	1.8 lbs. [.82 kg]
Compliance	CE: EMC Directive – Class A EN 55032 & EN 55024, LV Safety Directive –EN 62368-1; RoHS Compliant; FCC Part 15 Class A; Industry Canada ICES-3 Class A; IEEE 802.3 Compliant; TAA Compliant
Warranty	2 Years Limited
Part Number	011280

*Dimensions are measured from the perspective of the product being upright with the front of the product facing you.

InformaCast® Enabled Paging Adapter



InformaCast® Enabled Paging Adapter



Related Products:



011093 1U Server Rack Mount