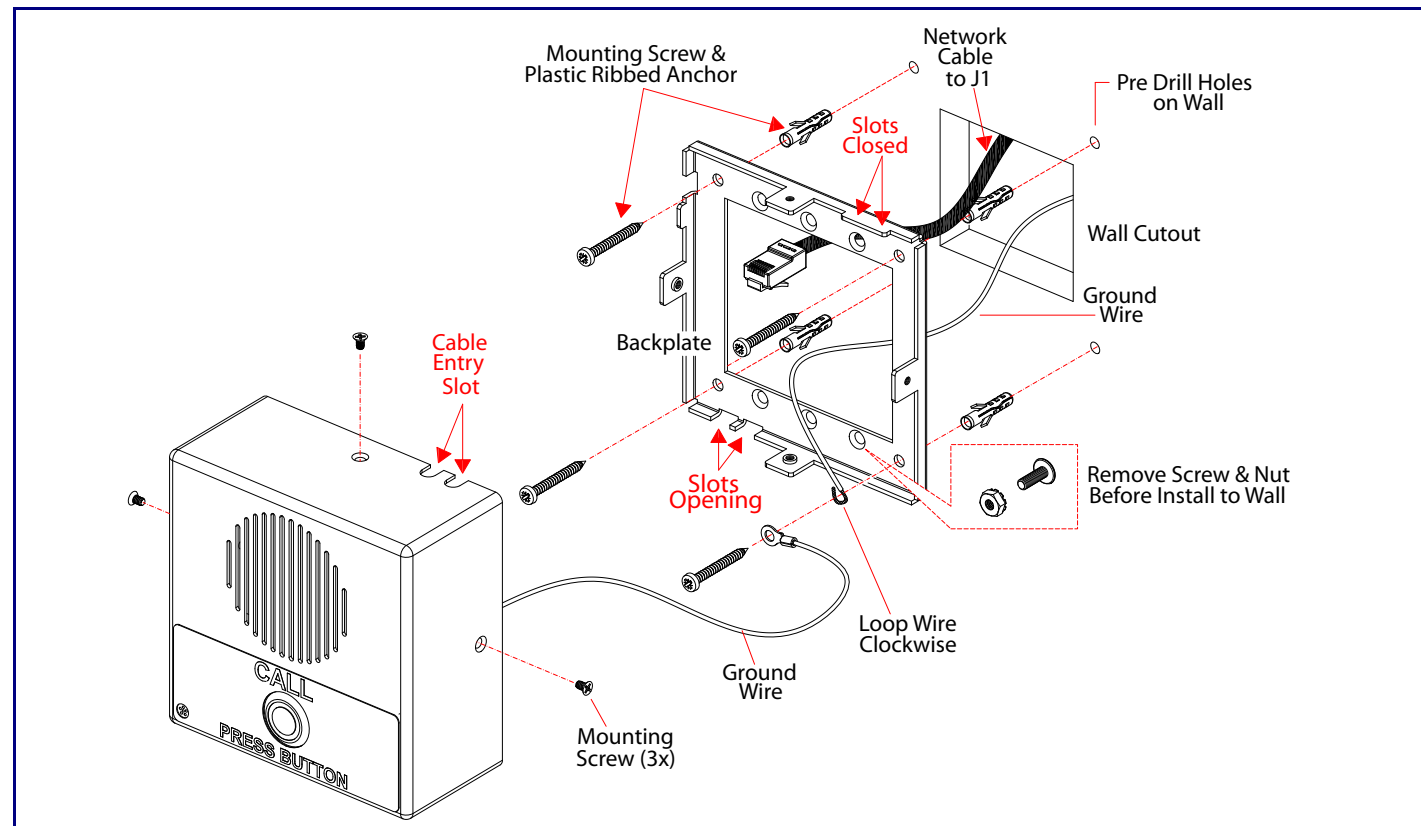
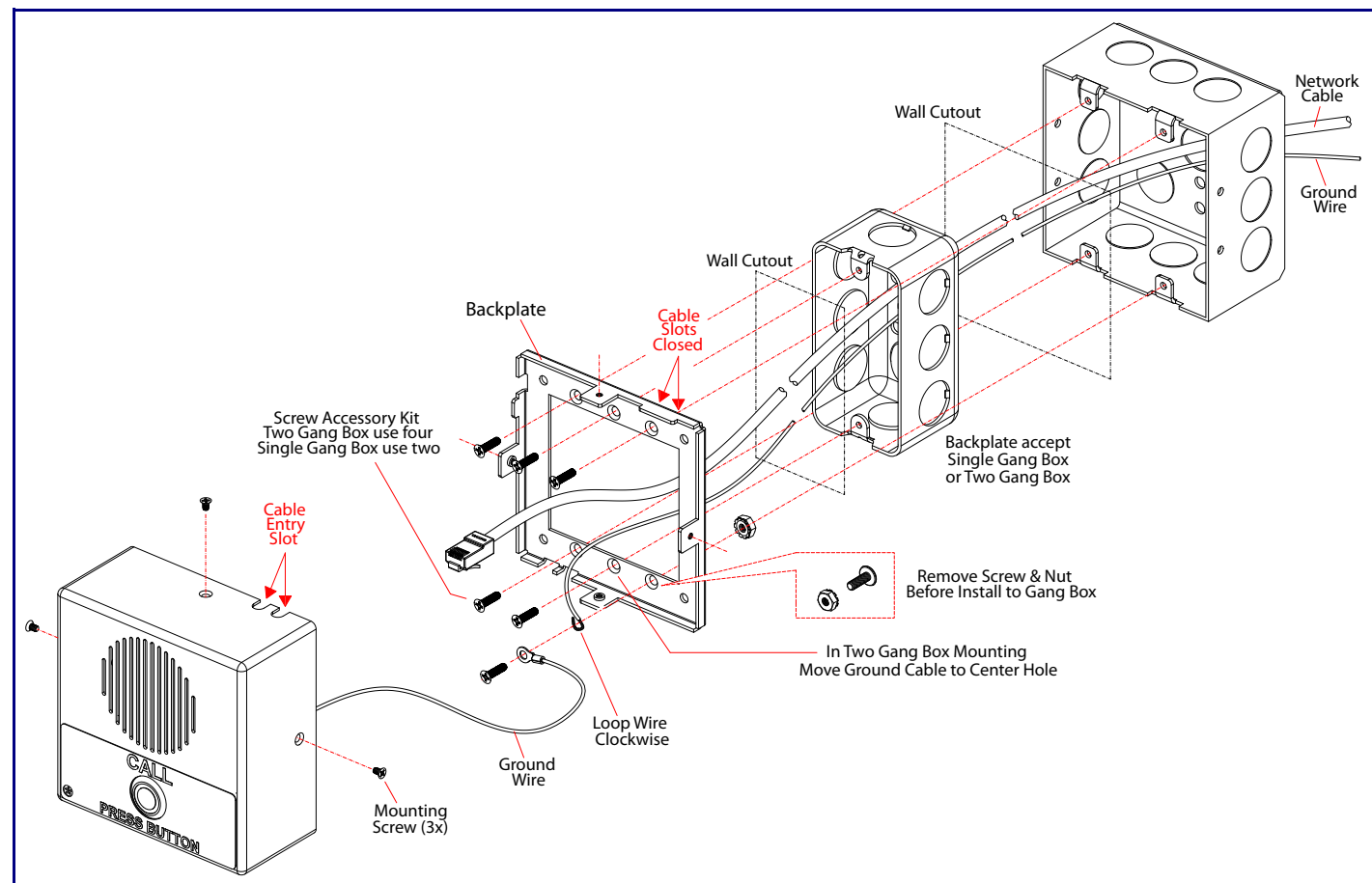


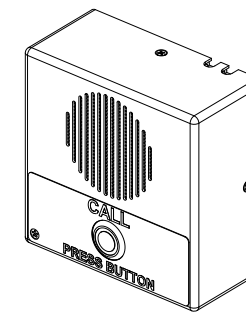
## Wall Mounting Options



## Gang Box Mounting Options



# Installation Quick Reference Singlewire InformaCast Indoor Intercom 011305



Parameter	Factory Default Setting
IP Addressing	DHCP
IP Address <sup>a</sup>	10.10.10.10
Web Access Username	admin
Web Access Password	admin
Subnet Mask <sup>a</sup>	255.0.0.0
Default Gateway <sup>a</sup>	10.0.0.1

a. Default if there is not a DHCP server present.

## Getting Started

- Download the *Operations Guide* PDF file, from the **Downloads** tab at the following webpage:  
<http://www.cyberdata.net/voip/011305/>
- Create a plan for the locations of your Intercoms.
- WARNING:** This product should be installed by a licensed electrician according to all local electrical and building codes.
- WARNING:** To prevent injury, this apparatus must be securely attached to the floor/wall in accordance with the installation instructions.
- WARNING:** The PoE connector is intended for intra-building connections only and does not route to the outside plant.
- WARNING:** This enclosure is not rated for any AC voltages!

## Parts

(1) Intercom Assembly	(1) Wall Mounting Kit	(1) Gang Box Mounting Kit
	(4) Sheet Metal Screw 	(4) #6-32 FlatHead Countersunk Machine Screw 
	(4) Plastic Ribbed Anchor 	

## Contacting CyberData

### Corporate Headquarters

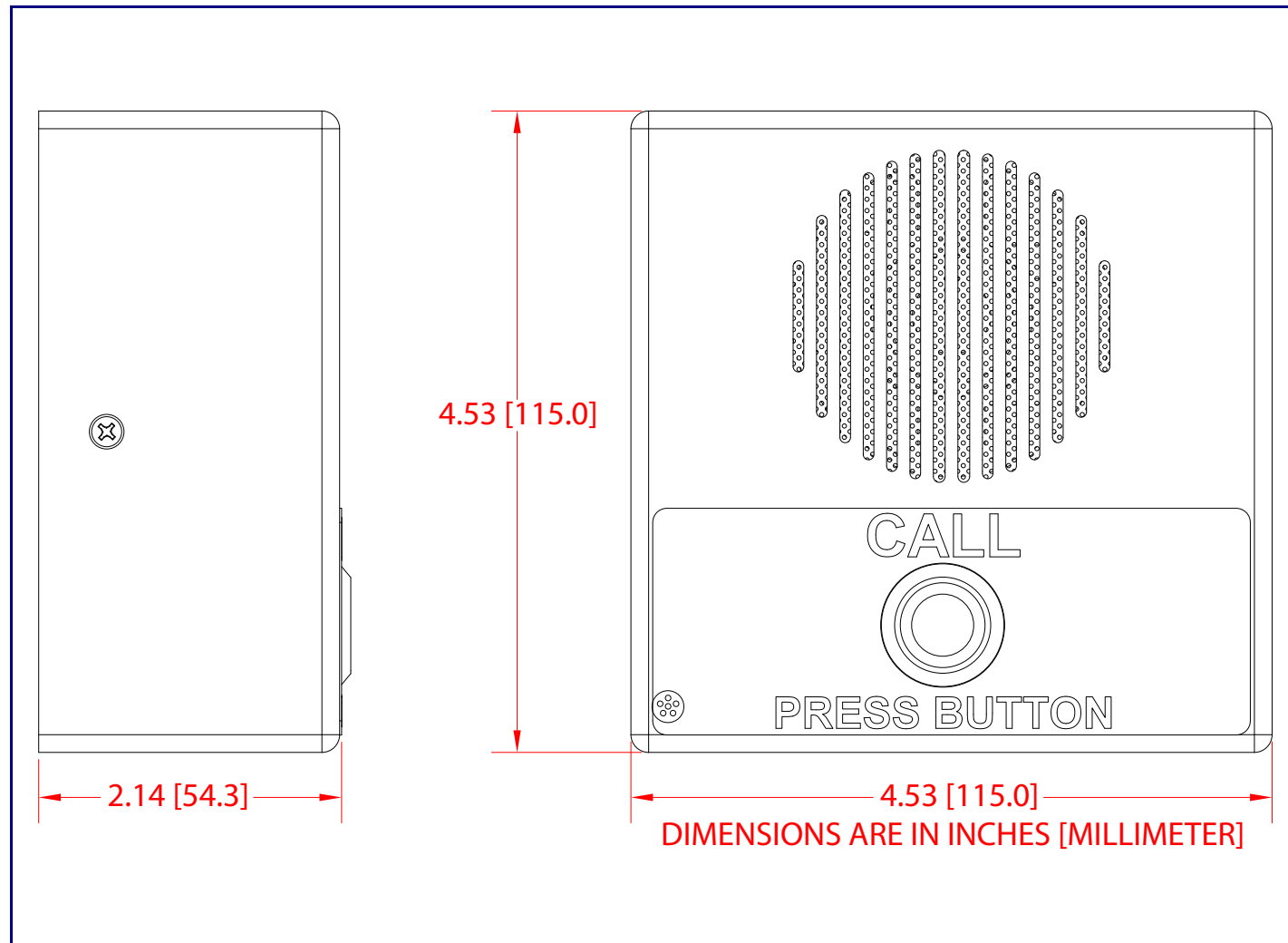
CyberData Corporation  
3 Justin Court  
Monterey, CA 93940, USA

Phone: 831-373-2601  
Fax: 831-373-4193  
<http://www.cyberdata.net/>

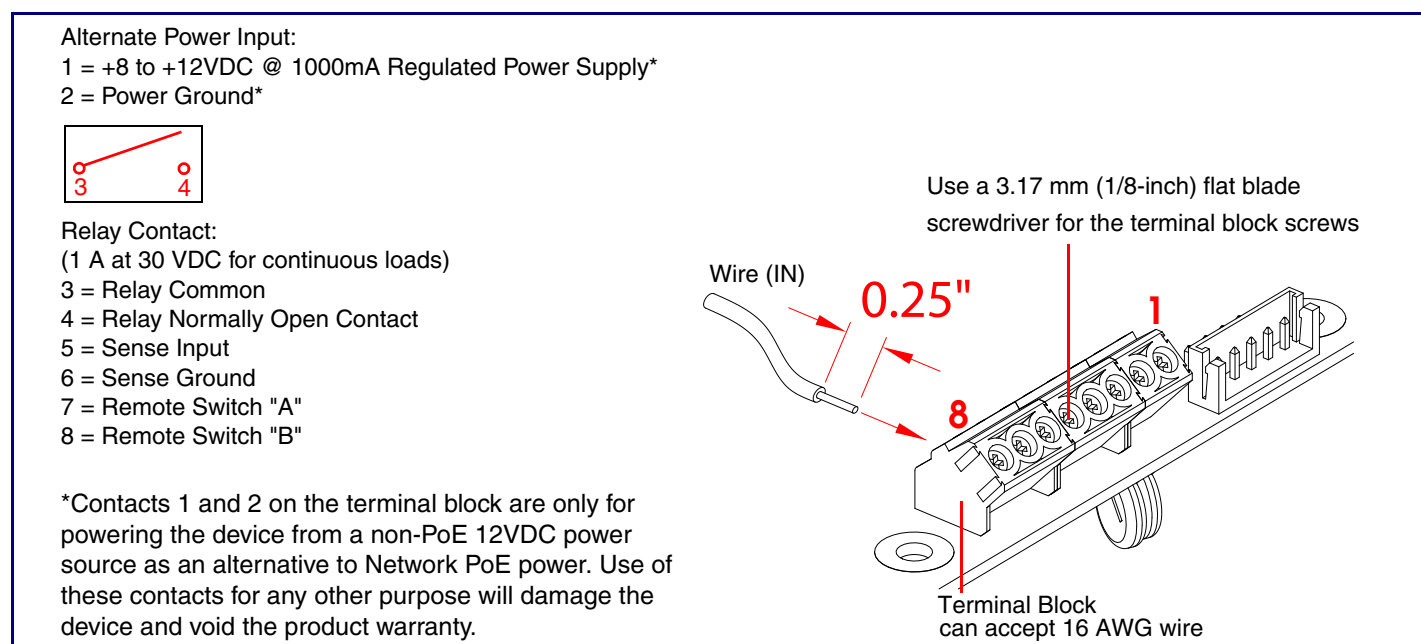
Sales: (831) 373-2601 ext. 334  
Support: 831-373-2601 ext. 333  
Support Website: <http://support.cyberdata.net/>  
RMA Department: (831) 373-2601 ext. 136  
RMA Email: [RMA@CyberData.net](mailto:RMA@CyberData.net)  
RMA Status: <http://support.cyberdata.net/>  
Warranty Information: <http://support.cyberdata.net/>

## Cable Connections

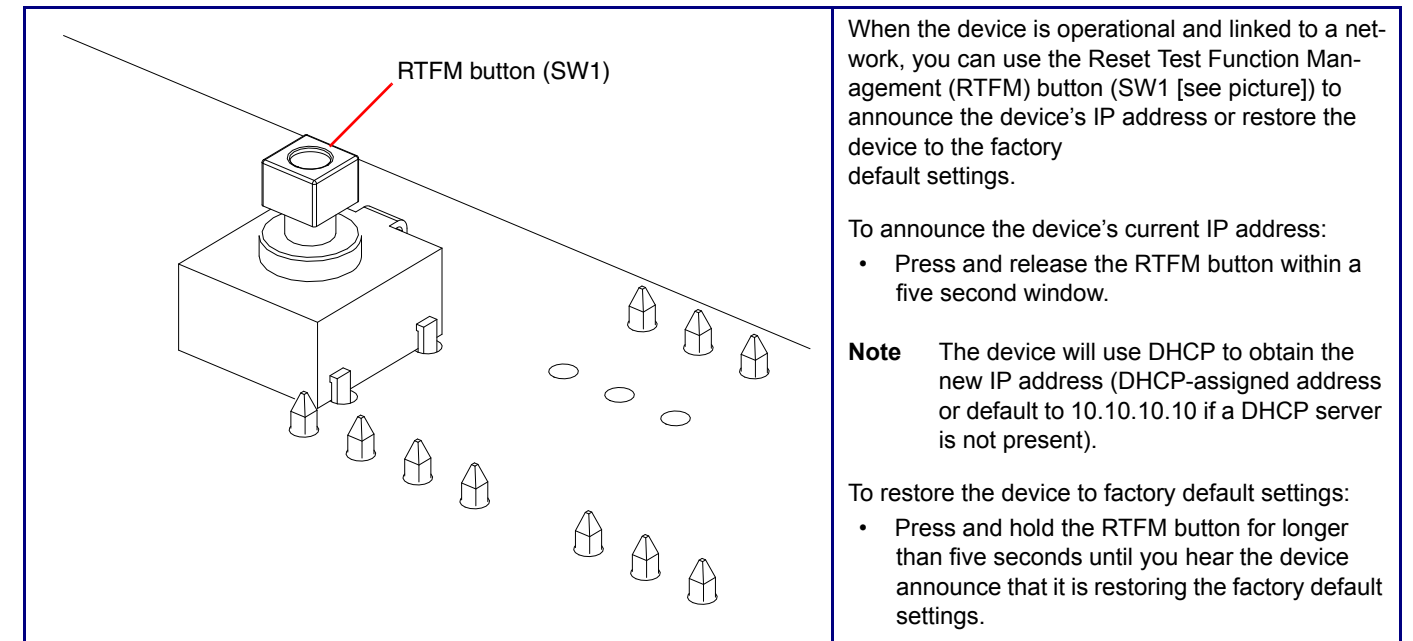
### Dimensions



### Terminal Block Connections



### RTFM Button



### Maximum Recommended Wall Cutout Dimensions

