

**To mount the Intercom:**

1. Make a wall cutout as shown in the picture.
2. Use a flat blade screwdriver to remove the knockout (KO) of the gang box.
3. Feed the ground wire (shown in the "Ground Connection" section) and the network cable from the wall cutout through the knockout hole of the gang box.
4. Create a service loop for both the ground wire and network cable.
5. Plug the network cable into the J1 connector.
6. Make sure that the arrow labels on the sides of the gang box are pointing up. This will ensure that the intrusion sensor functions properly.
7. Fold down all of the flagnuts, and then insert the gang box into the wall cutout.
8. Tighten the flagnuts with a size #2 Phillips screwdriver.
9. Use a size #2 Phillips screwdriver to secure the Intercom faceplate assembly to the gang box with either Phillips drive screws or security Torx drive screws.

Contacting CyberData

Corporate Headquarters

CyberData Corporation  
 3 Justin Court  
 Monterey, CA 93940, USA

Phone: 831-373-2601  
 Fax: 831-373-4193  
<http://www.cyberdata.net/>

Sales: (831) 373-2601 ext. 334  
 Support: 831-373-2601 ext. 333  
 Support Website: <http://support.cyberdata.net/>  
 RMA Department: (831) 373-2601 ext. 136  
 RMA Email: RMA@CyberData.net  
 RMA Status: <http://support.cyberdata.net/>  
 Warranty Information: <http://support.cyberdata.net/>

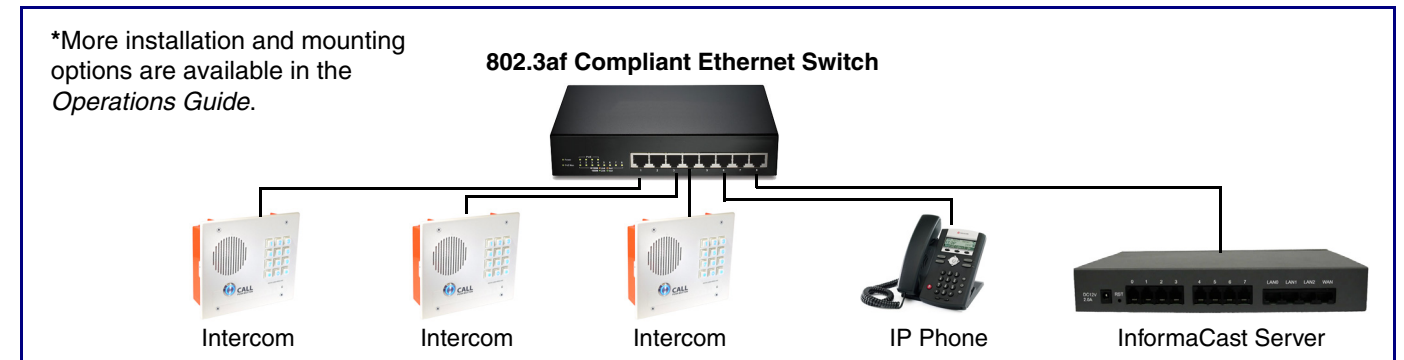
Installation Quick Reference  
**Singlewire InformaCast Indoor Intercom with Keypad, Flush Mount 011308**



Parameter	Factory Default Setting
IP Addressing	DHCP
IP Address <sup>a</sup>	10.10.10.10
Web Access Username	admin
Web Access Password	admin
Subnet Mask <sup>a</sup>	255.0.0.0
Default Gateway <sup>a</sup>	10.0.0.1

a. Default if there is not a DHCP server present.

Typical System Installation



Getting Started

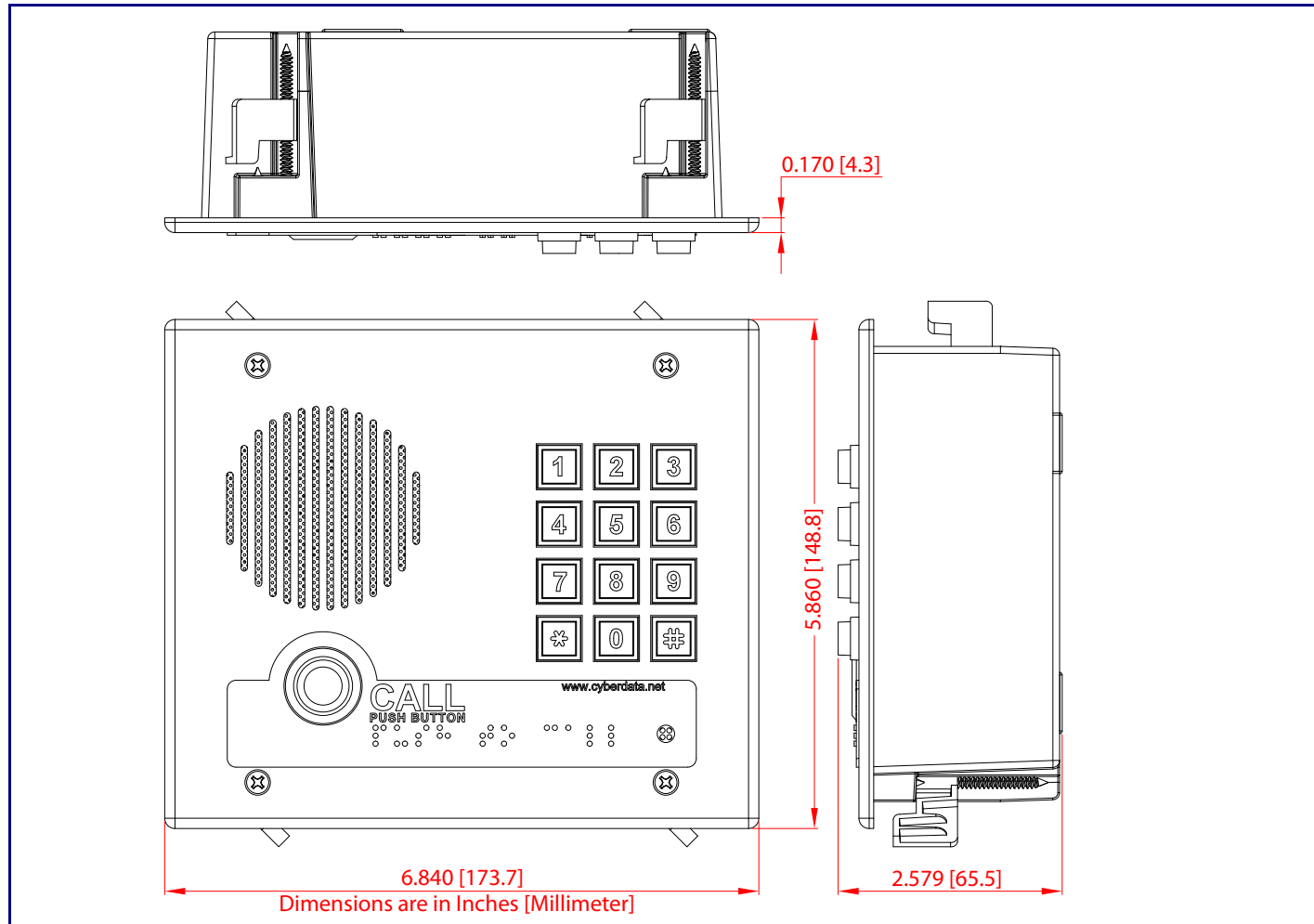
- Download the *Operations Guide* PDF file, from the **Downloads** tab at the following webpage:  
<http://www.cyberdata.net/voip/011308/>
- Create a plan for the locations of your Intercoms.
- **WARNING: This product should be installed by a licensed electrician according to all local electrical and building codes.**
- **WARNING: To prevent injury, this apparatus must be securely attached to the floor/wall in accordance with the installation instructions.**
- **WARNING: The PoE connector is intended for intra-building connections only and does not route to the outside plant.**
- **WARNING: This enclosure is not rated for any AC voltages!**

Intercom Parts

**Tool required for assembly: A size #2 Phillips screwdriver**

<p><b>(1) Intercom Assembly</b></p>	<p><b>(1) Mounting Kit</b></p> <p>(4) #6 X 3/8-inch, 100 Deg., Flat Head, Self-Tapping Screw</p>	<p><b>(1) Optional Mounting Kit</b></p> <p>(4) #6 X 3/8-inch, 100 Deg., Flat Head T15 Security Pin Torx Screw</p>	<p><b>(1) T15 Security Pin Torx Key</b></p>
-------------------------------------	--	---	---

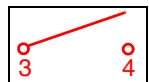
## Dimensions



## Terminal Block Connections

### Alternate Power Input:

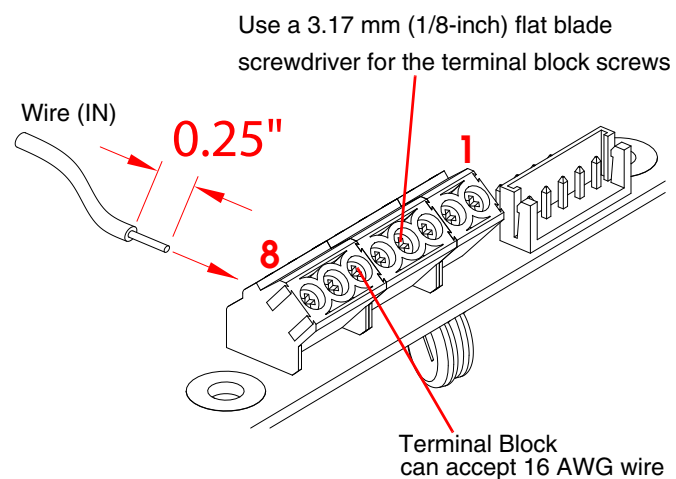
- 1 = +8 to +12VDC @ 1000mA Regulated Power Supply\*
- 2 = Power Ground\*



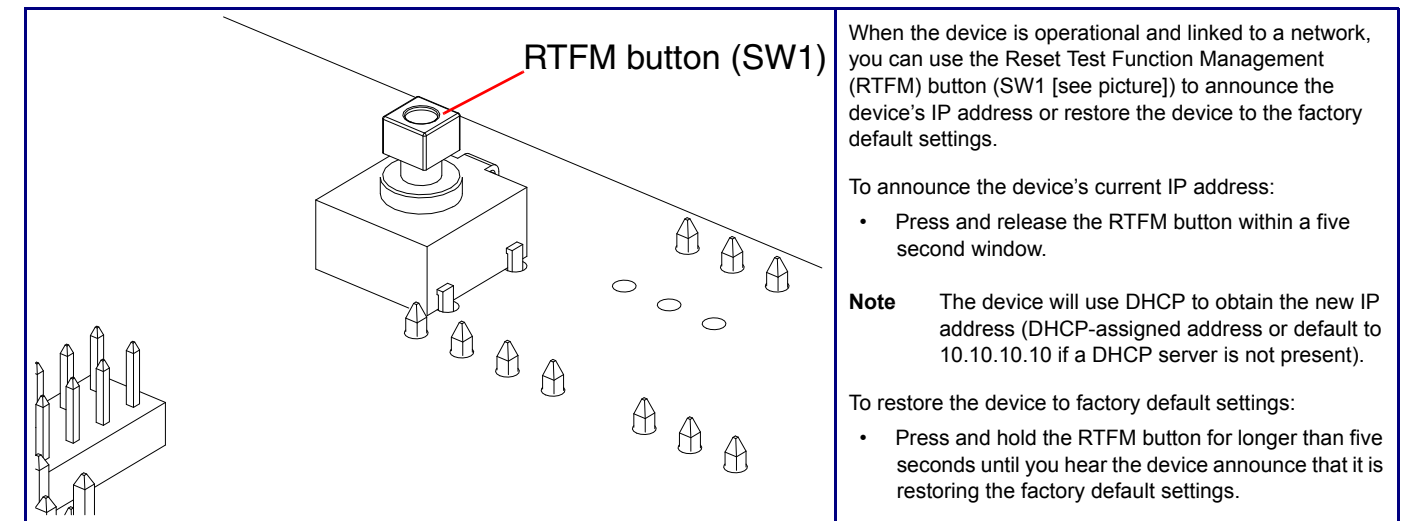
### Relay Contact:

- (1 A at 30 VDC for continuous loads)
- 3 = Relay Common
- 4 = Relay Normally Open Contact
- 5 = Sense Input
- 6 = Sense Ground
- 7 = Remote Switch "A"
- 8 = Remote Switch "B"

\*Contacts 1 and 2 on the terminal block are only for powering the device from a non-PoE 12VDC power source as an alternative to Network PoE power. Use of these contacts for any other purpose will damage the device and void the product warranty.



## RTFM Button



## Ground Connection

