

Singlewire InformaCast Outdoor Intercom with Keypad

Our extensive line of Indoor and Outdoor SIP-enabled Intercoms delivers two-way communication and secure access control for your VoIP phone system. These devices are perfect for settings such as commercial/residential facilities, schools and universities, retail establishments, warehouse and manufacturing plants, SMB, parking garages and shipyards and so much more.

New Features

- Now Supports 500 Access Codes
- Optional red/green/blue/white strobe kit connection available (part# 011288)
- Integrates with Network Dual Door Strike Relay Module (part# 011375) and Door Strike Relay Module (part# 011269)
- Now with enhanced acoustic echo canceler

Features

- InformaCast compliant
- InformaCast resiliency protocol
- Capable of receiving SingleWire Informacast, SIP and Multicast messages
- Plays audio from Multicast
- PoE 802.3af enabled (Power-over-Ethernet)
- 12-key keypad with backlight
- Programmable speed dial
- SIP compliant
- Full-duplex voice operation
- Now supports SRST (Survivable Remote Site Telephony) in a Cisco environment
- Streamlined case design
- Optional Weather Shroud (pictured) for even greater weather protection
- Network web management and firmware download
- Network adjustable speaker volume
- Concurrent SIP and multicast paging
- Dry relay contact for auxiliary control
- Door closure and tamper alert signal
- Downloadable alert, ringtones and callout messages

The following products are also available:



Singlewire InformaCast
Emergency Intercom
#011304



Singlewire InformaCast
Outdoor Intercom
#011309



Singlewire InformaCast
Indoor Intercom
#011306



Singlewire InformaCast
Indoor Intercom
with Keypad-Flush Mount
#011308

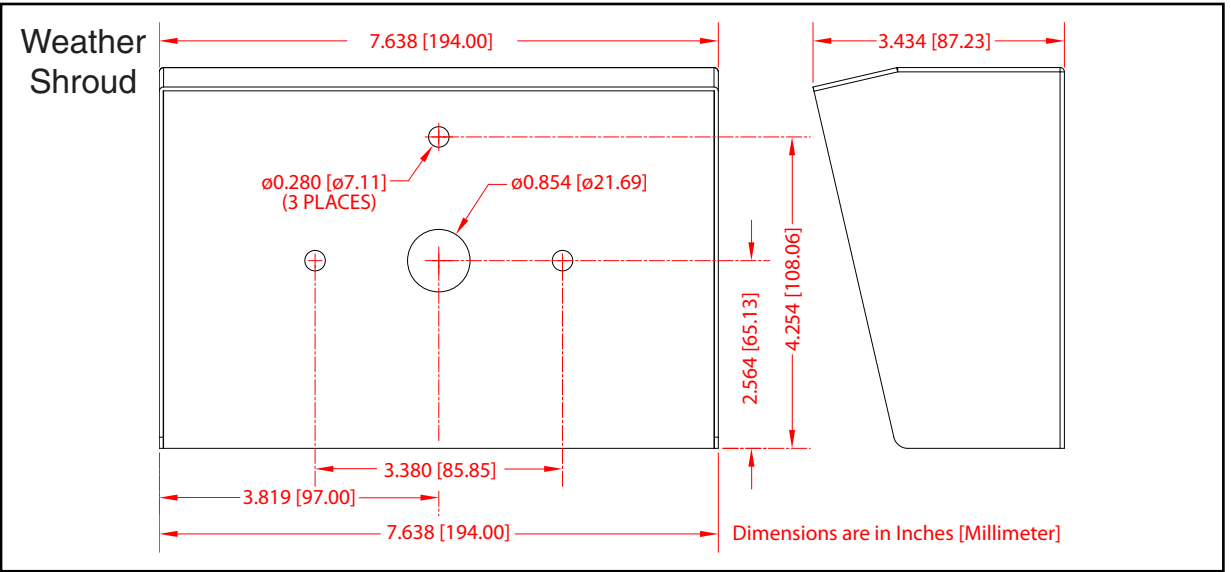
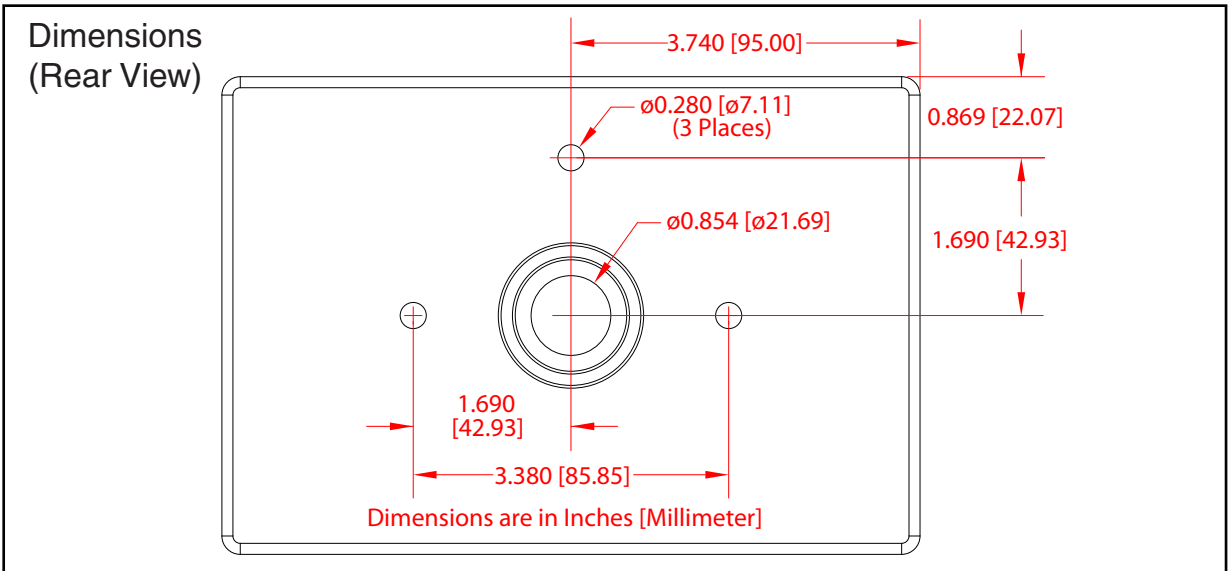
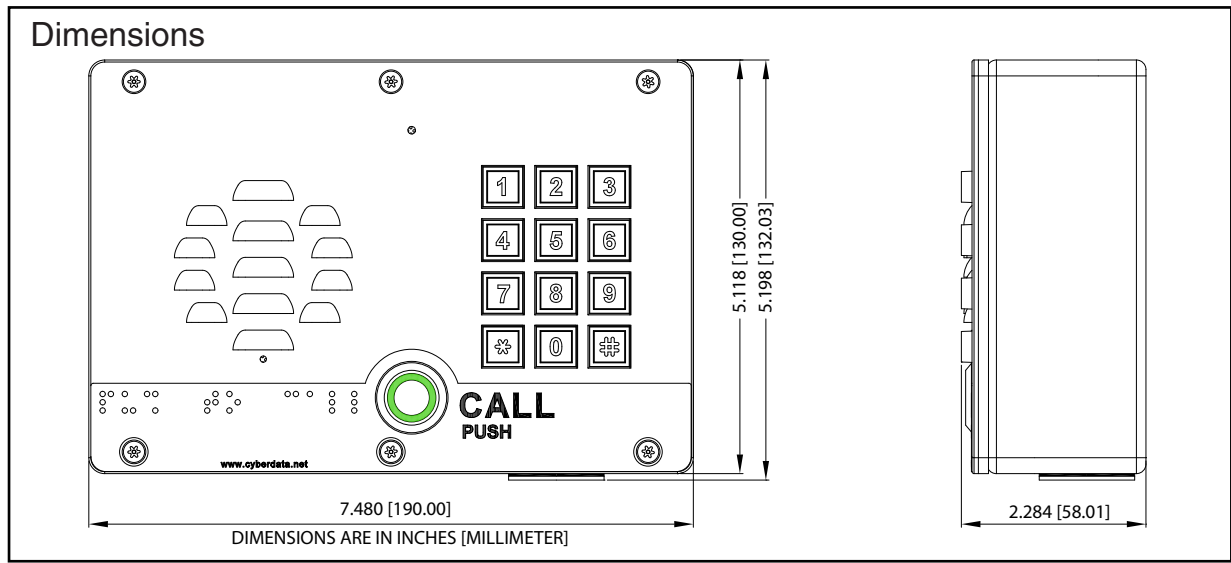


*Shown with the 011215 Weather Shroud (sold separately)

Specifications

| | |
|---------------------|--|
| Ethernet I/F | 10/100 Mbps |
| Protocol | SIP RFC 3261 Compatible and InformCast v4.0 and later |
| Power Input | PoE 802.3af compliant or +8 to +12VDC @ 1000mA Regulated Power Supply |
| Speaker Output | 2 Watts Peak Power |
| On-Board Relay | 1A at 30 VDC |
| Operating Range | Temperature: -40°C to 55°C (-40° F to 131° F) Humidity: 5-95%, non-condensing |
| Storage Temperature | Temperature: -40° C to 70° C (-40° F to 158° F) |
| Storage Altitude | Up to 15,000 ft. (4573 m) |
| IP Rating | IP65 |
| Payload Types | G711, A-law and μ -law, G.722 |
| Dimensions | 7.480 inch [190 mm] Length 2.284 inch [58 mm] Width 5.118 inch [130 mm] Height |
| Weight | 2.8 lbs. (1.27 kg) |
| Boxed Weight | 4.0 lbs. (1.81 kg) Weather Shroud is 1.2 lbs. (0.54 kg) |
| Compliance | CE; EMC Directive – Class A EN 55032 & EN 55024, LV Safety Directive – EN 60950-1, RoHS Compliant, FCC; Part 15 Class A, Industry Canada; ICES-3 Class A, IEEE 802.3 Compliant |
| Warranty | 2 years limited |
| Part Number | 011310 011215 Weather Shroud (sold separately) |

Singlewire InformaCast Outdoor Intercom with Keypad



Singlewire InformaCast Outdoor Intercom with Keypad

