

# Cisco DX650\* Secure Case Kit

**CyberData**

The IP Endpoint Company

The CyberData DX650 Secure Case Kit takes a Cisco DX650 and protects it from damage. The DX650 is housed in a steel enclosure with security screws holding down the stainless steel front cover. The screen protector is replaceable polycarbonate. The handset and cord cable are designed for demanding environments.

The unit supports a hardened 16 key keypad and with the SPAR2 controller, Biometric and RFID authentication. The SPAR2 Controller incorporates an 802.3at 2 port gigabit switch for a single PoE connection to the case.

## Features

- Stainless Steel front cover
- Replaceable polycarbonate cover for phone display
- Powder coated Back Box
- Handset with 32" armored cable

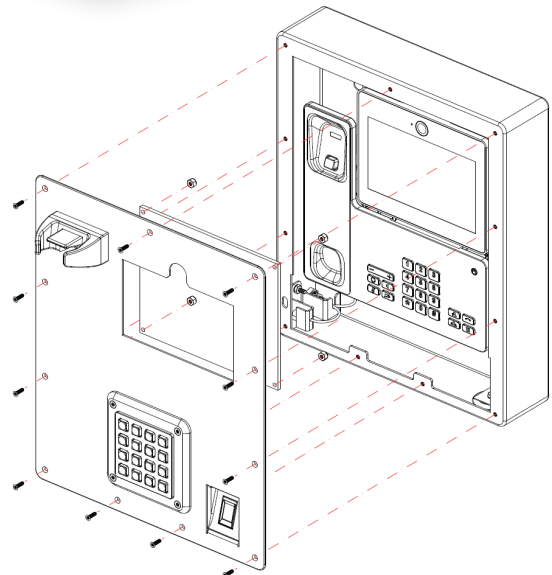
## Options

- 16 key heavy duty keypad

## SPAR2 Controller

- Integrated 802.3at 2 port GB PoE switch
  - Biometric reader option
  - RFID reader option

\*Cisco DX650 phone and Cisco CP-89/9900 LWMK-C Back Mount supplied by customer



## Part Numbers

- 011318 - Housing-DX650 Secure Phone-RoHS Compliant
- 011334 - Housing-DX650 Secure Phone-with Biometric Reader-RoHS Compliant
- 011363 - Housing-DX650 Secure Phone-with RFID Reader-RoHS Compliant
- 011364 - Housing-DX650 Secure Phone-with 16 Key Keypad-RoHS Compliant
- 011365 - Housing-DX650 Secure Phone-with Biometric Reader and 16 Key Keypad-RoHS Compliant
- 011366 - Housing-DX650 Secure Phone-with RFID Reader and 16 Key Keypad-RoHS Compliant

**CyberData**

The IP Endpoint Company

---

## Cisco DX650 Secure Case Kit

### **DX650 Phone**

Supplied by Customer

### **Cisco Back mount**

Cisco # CP-89/9900-LWMK-C

Supplied by Customer

### **DX650 Secure Enclosure**

- Stainless steel front cover
- Replaceable polycarbonate plastic cover for display
- Powder coated back box
- Handset with armored cable and Cradle
- On/Off Phone hook sense

**MSRP**

**\$633.00**

### **Hardened 16 key external keypad option**

**MSRP**

**\$156.00**

### **SPAR2 Controller**

- LiteScape compliant firmware
- 802.3at pass through PoE switch
- On/Off Phone hook sense

**MSRP**

**\$345.00**

### **Biometric Finger printer reader (Requires SPAR2 Controller)**

**MSRP**

**\$145.00**

### **RFID Reader (Requires SPAR2 Controller)**

**MSRP**

**\$130.00**