

## PoE-Powered Display

The CyberData PoE-Powered Display provides a method for SingleWire InformaCast notification messages to be displayed on a high resolution PoE-powered 14-inch LCD monitor.

The CyberData PoE-Powered Display shows fixed and scrolling notifications and gives the option of an analog or a digital clock screen when notifications have stopped.

Audio messages from the IP-PBX server can be directed to an attached speaker or horn.

High priority notification messages can be configured to blink alert areas of the screen with user-defined flashing patterns.

The clock format, notification message size, color, and the high priority flashing indications are user configurable within the web interface.

### Features

- Web Interface and configuration
- Configurable Analog and digital clock
- Multi-language support for messages
- Configurable font, size and color
- Configurable colored strobe function
- Automatic and user settable ambient light adjustment
- 802.3af/at PoE
- Relay
- Sense Input
- Connection for external speaker or horn



#### Specifications

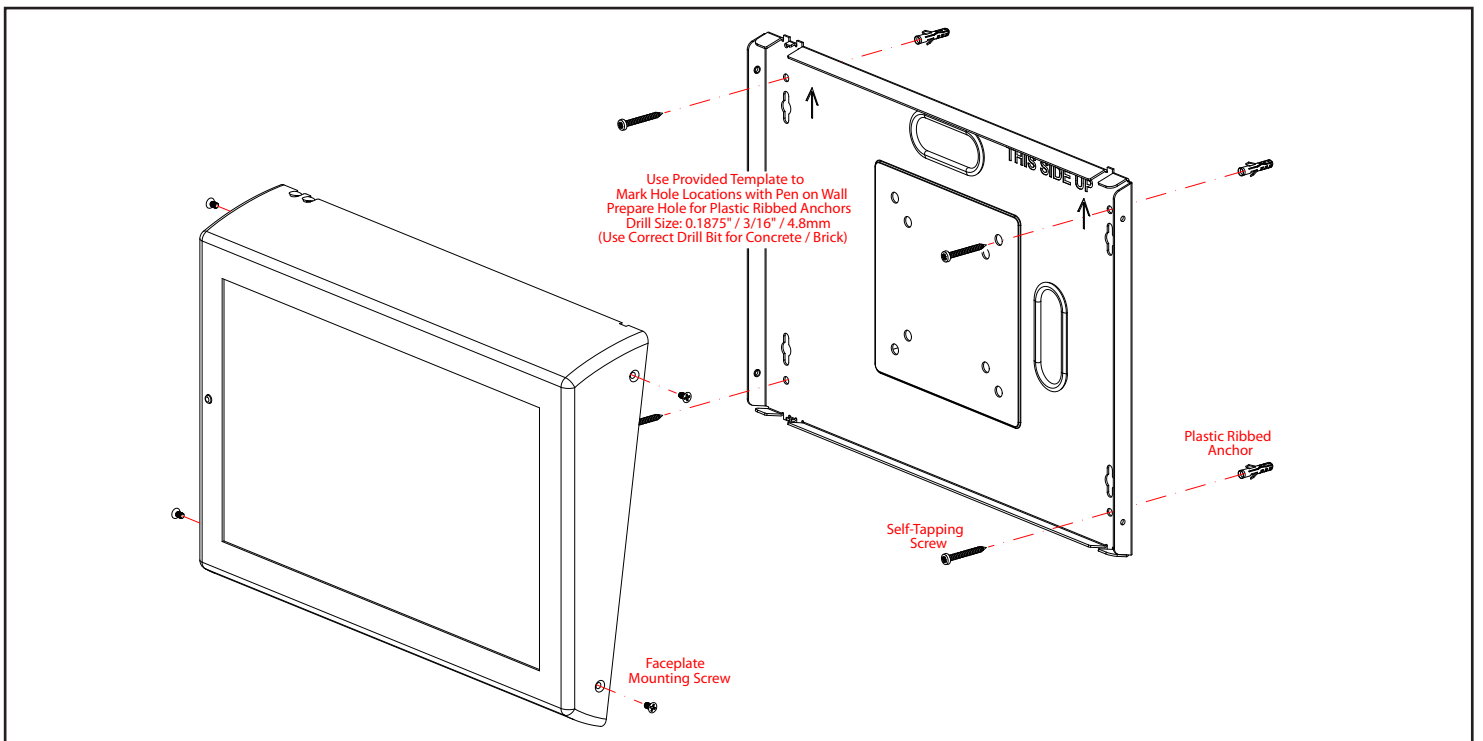
Protocol	SIP RFC 3261 Compatible
Ethernet I/F	10/100 Mbps
Power Input	PoE 802.3af
Operating Temperature	-10° C to 50° C (14° F to 122° F)
LCD size and resolution	14 inches
LCD resolution	1368 x 768 pixels
Dimensions	Length: 14.1 inches [358.14 mm] Width: 2.6 inches [66.04 mm] Height: 9.9 inches [251.46 mm]
Warranty	2 years limited
Weight	3 lbs. [1.36 kg]
Boxed Weight	4 lbs. [1.81 kg]
Part Number	011330

# PoE-Powered Display

## Typical Configuration

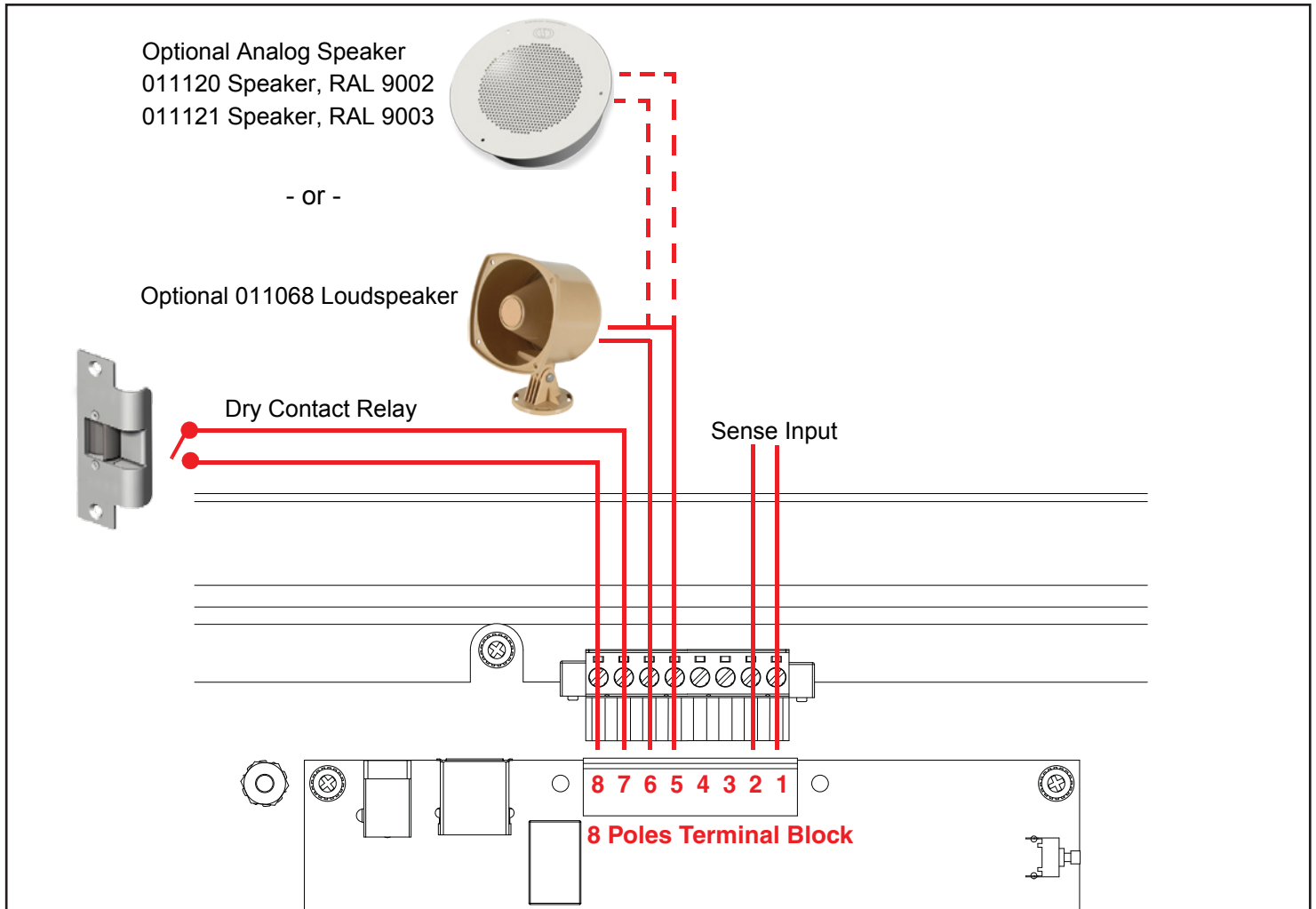


## Mounting



# PoE-Powered Display

## Typical Configuration



## Dimensions

