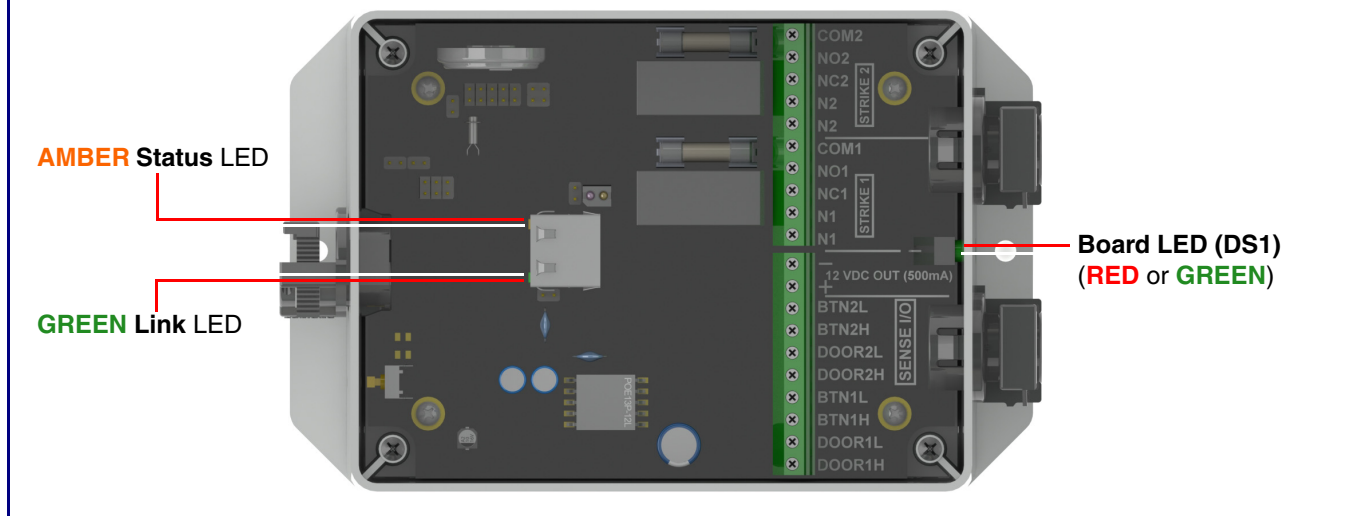


## LED Behavior

Status and Link LEDs (at J1):	
LED Behavior	Means
The <b>AMBER Status</b> LED is on and the <b>GREEN Link</b> LED is on and blinking.	No fault detected. The device is on the network and the device is not active.
<b>Note:</b> On boot, within approximately three seconds, the <b>AMBER Status</b> LED and the <b>GREEN Link</b> LED come on with the <b>GREEN Link</b> LED beginning to blink almost immediately.	
Board LED (DS1):	
LED Behavior	Means
On and solid <b>RED</b>	No fault detected. A relay is not engaged.
On and solid <b>GREEN</b>	No fault detected. A relay is engaged.
One long <b>RED</b> flash and a short <b>RED</b> flash	Device hardware fault, communication error
One long <b>RED</b> flash and one short <b>AMBER</b> flash	Device hardware fault, communication error
One long <b>RED</b> flash and two short <b>AMBER</b> flashes	Device hardware fault, memory error
One long <b>RED</b> flash and three short <b>AMBER</b> flashes	Device hardware fault, fuse
One short <b>RED</b> flash and one short <b>AMBER</b> flash	Network address, DHCP Issue
<b>Note:</b> On boot, the board LED blinks <b>RED</b> once, and then remains on and solid <b>RED</b> until a relay is engaged.	



## Contacting CyberData

### Corporate Headquarters

CyberData Corporation  
3 Justin Court  
Monterey, CA 93940, USA

Phone: 831-373-2601  
Fax: 831-373-4193  
<http://www.cyberdata.net/>

Sales: (831) 373-2601 ext. 334  
Support: 831-373-2601 ext. 333  
Support Website: <http://support.cyberdata.net/>  
RMA Department: (831) 373-2601 ext. 136  
RMA Email: [RMA@CyberData.net](mailto:RMA@CyberData.net)  
RMA Status: <http://support.cyberdata.net/>  
Warranty Information: <http://support.cyberdata.net/>

# Network Dual Door Strike Relay 011375

## Parts List

- (1) Network Dual Door Strike Relay
- (1) Accessory Kit
- (2) Cable Clamps

## Specifications

Power Input	PoE IEEE 802.3af
Operating temperature	-10° C to 50° C (14° F to 122° F)
Relay Voltage/Current	12 A @ 250 VAC / 12 A @ 24 VDC



### Warning

*Electrical Hazard:* Hazardous voltages may be present. No user serviceable part inside. Refer to qualified service personnel for connecting or servicing.

## Getting Started

- Download the *Operations Guide* PDF file, from the **Downloads** tab at: <http://www.cyberdata.net/voip/011375/>
- **WARNING:** This product should be installed by a licensed electrician according to all local electrical and building codes.
- **WARNING:** To prevent injury, this apparatus must be securely attached to the floor/wall in accordance with the installation instructions.
- **WARNING:** The PoE connector is intended for intra-building connections only and does not route to the outside plant.
- **WARNING:** This enclosure is not rated for any AC voltages!

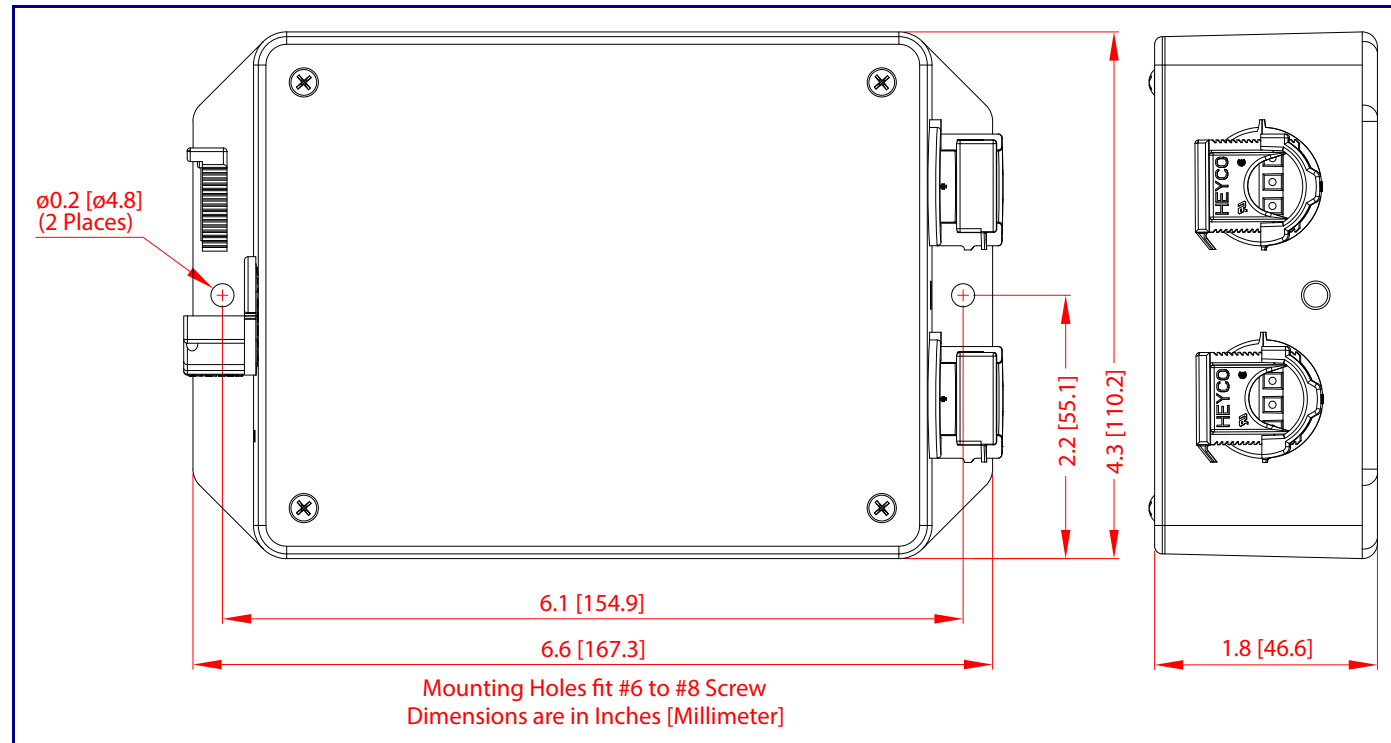
## Firmware Version Details

CyberData has streamlined the Network Dual Door Strike Relay (011375) functions with release 11.7.x and later of the SIP and Singlewire intercom line of products. The Network Dual Door Strike Relays operate in three modes: Manual Mode, Automatic Mode, and Single Mode (more details are in the Operations Guide).

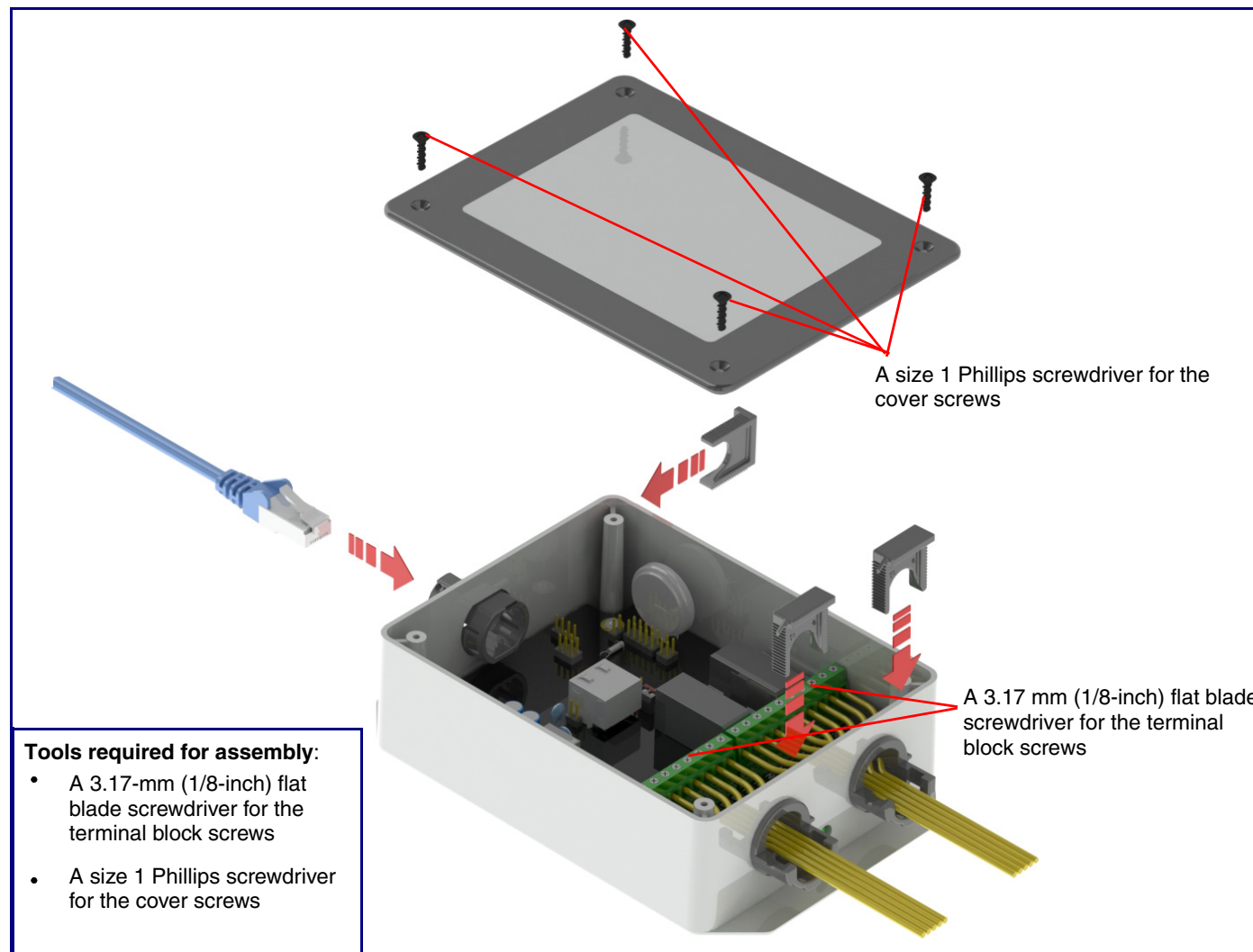
For legacy Networked Door Strike Relays (011270), the relay operates in Single Mode. Keypad versions of the intercom may be configured to activate a single DSR, either a 011375 in Single Mode, or a 011270. The user has the option to use enter a code from the keypad to either activate the relay for a specified time, or to use a code to activate the relay until the deactivation code is entered. Intercoms running version 11.7.0 or later must run the Network Dual Door Strike Relay with version 4.8 or later, and version 4.8 or later DDSRS must run with version 11.7.0 or later intercoms.

For the most up to date information, please refer to our website: <http://www.cyberdata.net/voip/011375/>

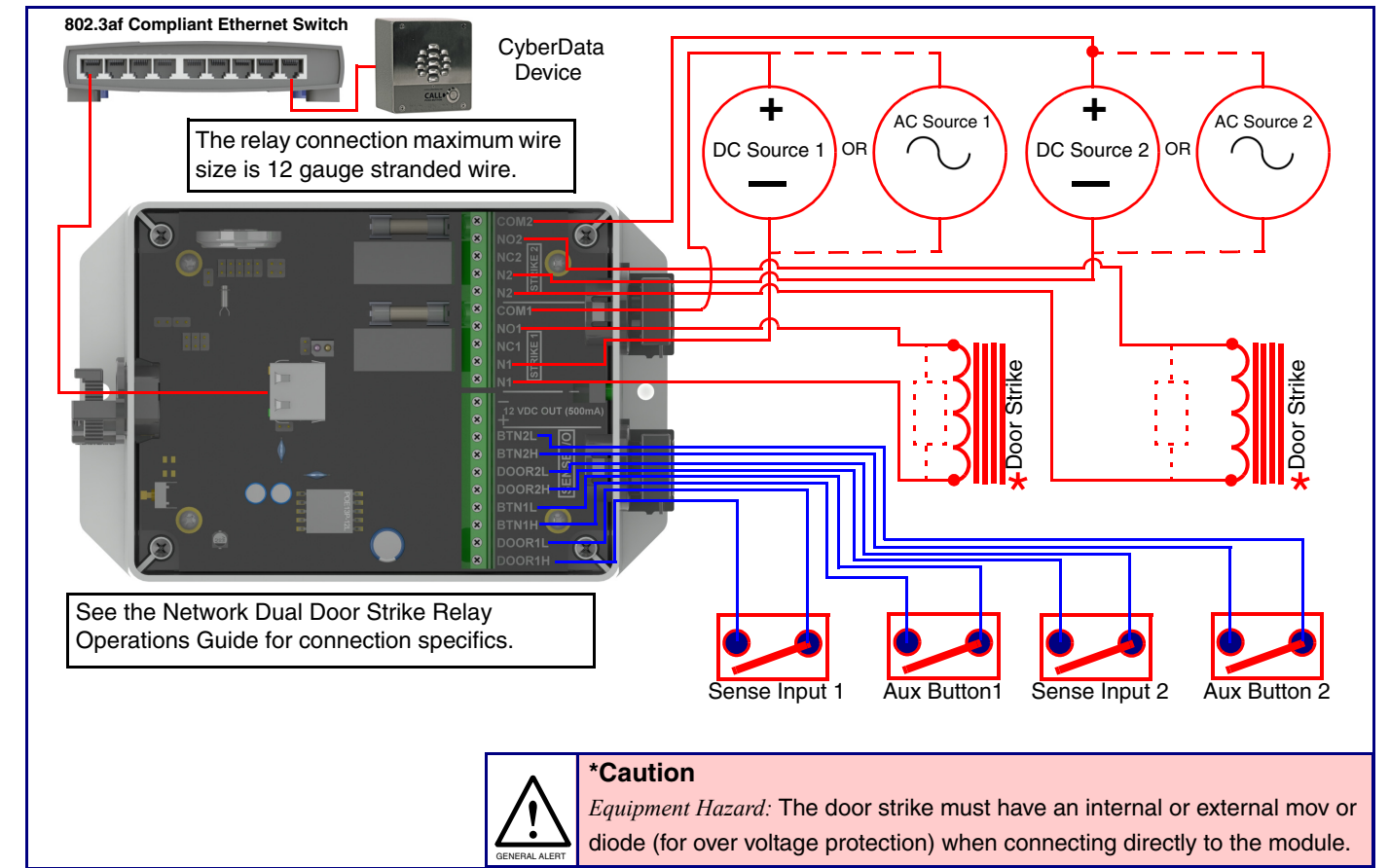
Dimensions



Assembly



Network Dual Door Strike Relay Wiring Diagram with External Power Source



Network Dual Door Strike Relay Wiring Diagram Using PoE+

