

The wall-mounted InformaCast® Enabled RGB (Multi-Color) Strobe operates as a visual alerting device.

In InformaCast mode, when receiving an audio page, the Strobe will be activated, displaying the specific color, brightness and blink rate configured by the user. The Strobe supports 10 InformaCast priority levels*.

In the SIP mode, the device can be set up as part of a ring group or call group with the Strobe engaged as notification of incoming calls or pages. You can have the Strobe respond to message waiting signals by blinking. When the message has been heard, the Strobe stops blinking.

The InformaCast Enabled Strobe may also be activated by being part of a multicast group. The Strobe can be configured with up to 10 multicast addresses and is activated when a stream is sent to its address. Users may also use CyberData's HTTP command set to directly access the Strobe's functions.

*InformaCast v9.0.1 or higher is required to take advantage of this feature.

Features

- Compatible with Singlewire InformaCast v12.1, including support for downloading SIP credentials from InformaCast
- Compatible with Cisco Call Manager
- Meets ADA requirements for telephony signaling and notification
- Multiple colors, blink rate and brightness can be selected for each of the different activation methods
- SIP and multicast activation
- Cisco SRST support
- Event-controlled relay
- Tamper sensor
- TLS 1.2 enhanced security for IP Endpoints in a local or cloud-based environment
- Web-based setup

Indoor Use Areas Include:

- Sales and Support mailbox indication
- Classrooms, offices, or courtrooms
- Banks or financial institutions
- Manufacturing warehouses



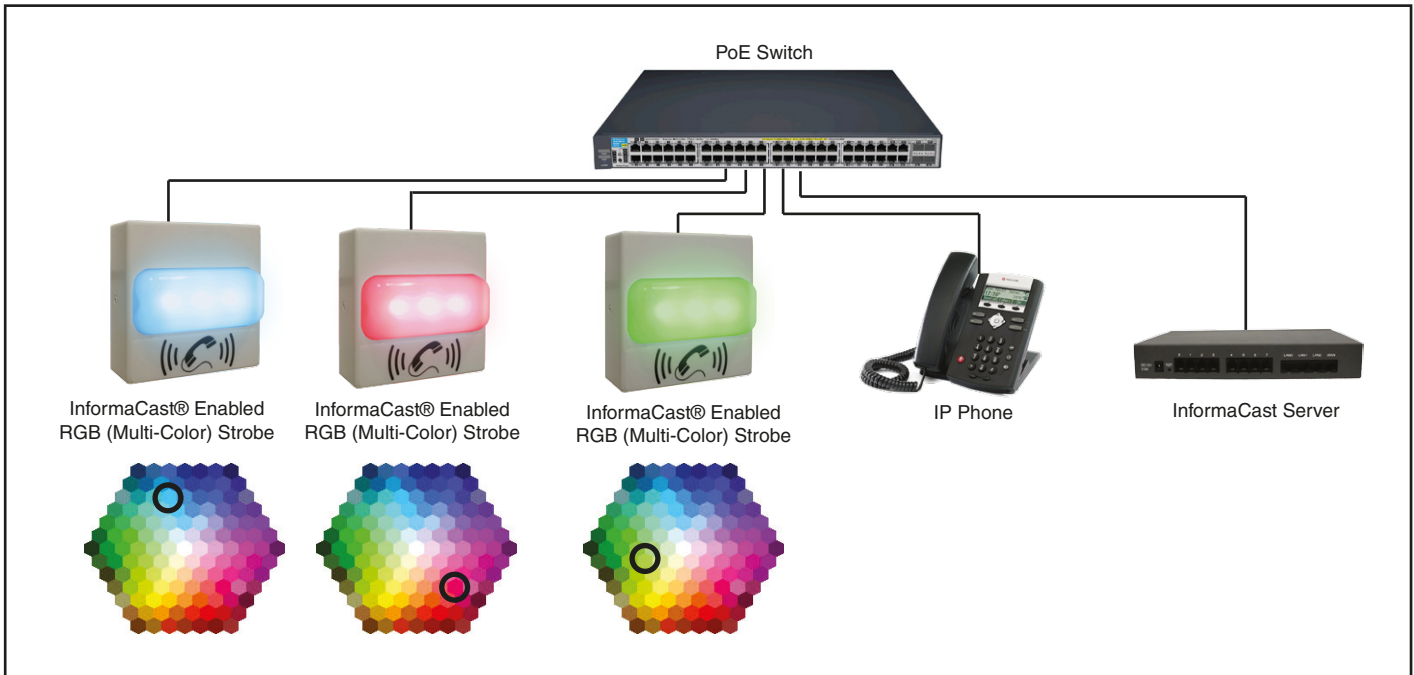
Specifications

| | |
|-----------------------|--|
| Ethernet I/F | 10/100 Mbps |
| Protocol | SIP RFC 3261 Compatible |
| Notification Software | Singlewire InformaCast v4.0 and above |
| Power Input | PoE 802.3af compliant or +8 to +12VDC @ 1000mA Regulated Power Supply (not included) |
| Flash rate | 5 user-defined scenes |
| LED MTBF | 100,000 Hours |
| On-Board Relay | 1A @ 30 VDC |
| Network Security | TLS/SSL 1.2 |
| Operating Range | Temperature: -40° C to 55° C (-40° F to 131° F) Humidity: 5-95%, non-condensing |
| Storage Temperature | -40° C to 70° C (-40° F to 158° F) |
| Storage Altitude | Up to 15,000 ft. (4573 m) |
| Dimensions* | 4.5 inches [115 mm] Length 2.1 inches [55 mm] Width 4.5 inches [115 mm] Height |
| Weight | 1.0 lbs. [0.45 kg] |
| Boxed Weight | 2.0 lbs. [0.90 kg] |
| Compliance | CE; EMC Directive – Class A EN 55032 & EN 55024, LV Safety Directive – EN 60950-1, RoHS Compliant, FCC; Part 15 Class A, Industry Canada; ICES-3 Class A, IEEE 802.3 Compliant |
| Warranty | 2 Years Limited |
| Part Number | 011377 |

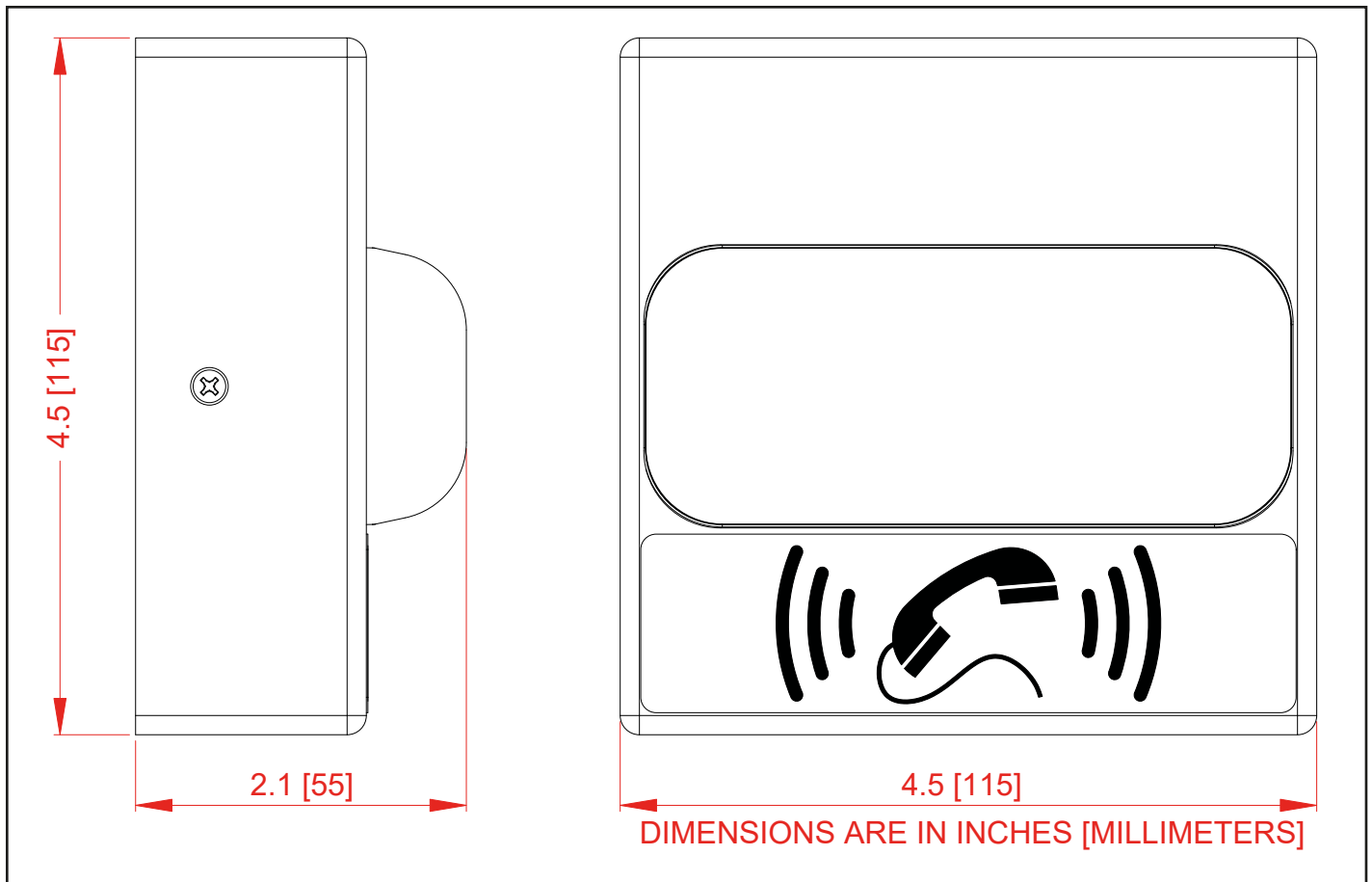
*Dimensions are measured from the perspective of the product being upright with the front of the product facing you.

InformaCast® Enabled RGB (Multi-Color) Strobe

Typical Installation

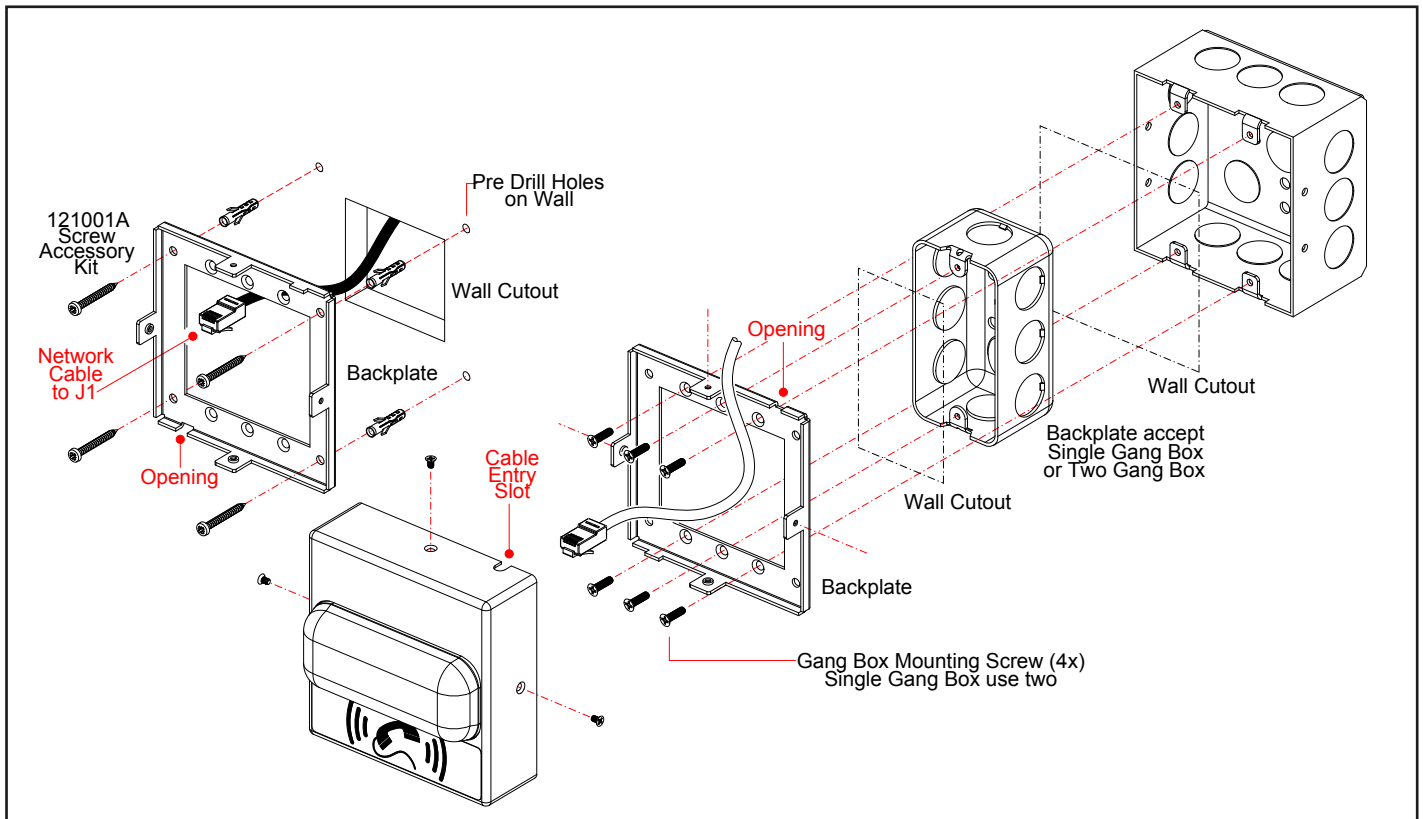


Dimensions



InformaCast® Enabled RGB (Multi-Color) Strobe

Mounting Options



Related Products



011304 InformaCast Enabled Emergency Intercom



011396 InformaCast Enabled Speaker



011472 InformaCast Enabled IP66 Outdoor Horn



011504 InformaCast Enabled Ceiling Speaker