

*Singlewire InformaCast Speaker*

SIP Compliant

**011395\***, RAL 9002, Gray White, Standard

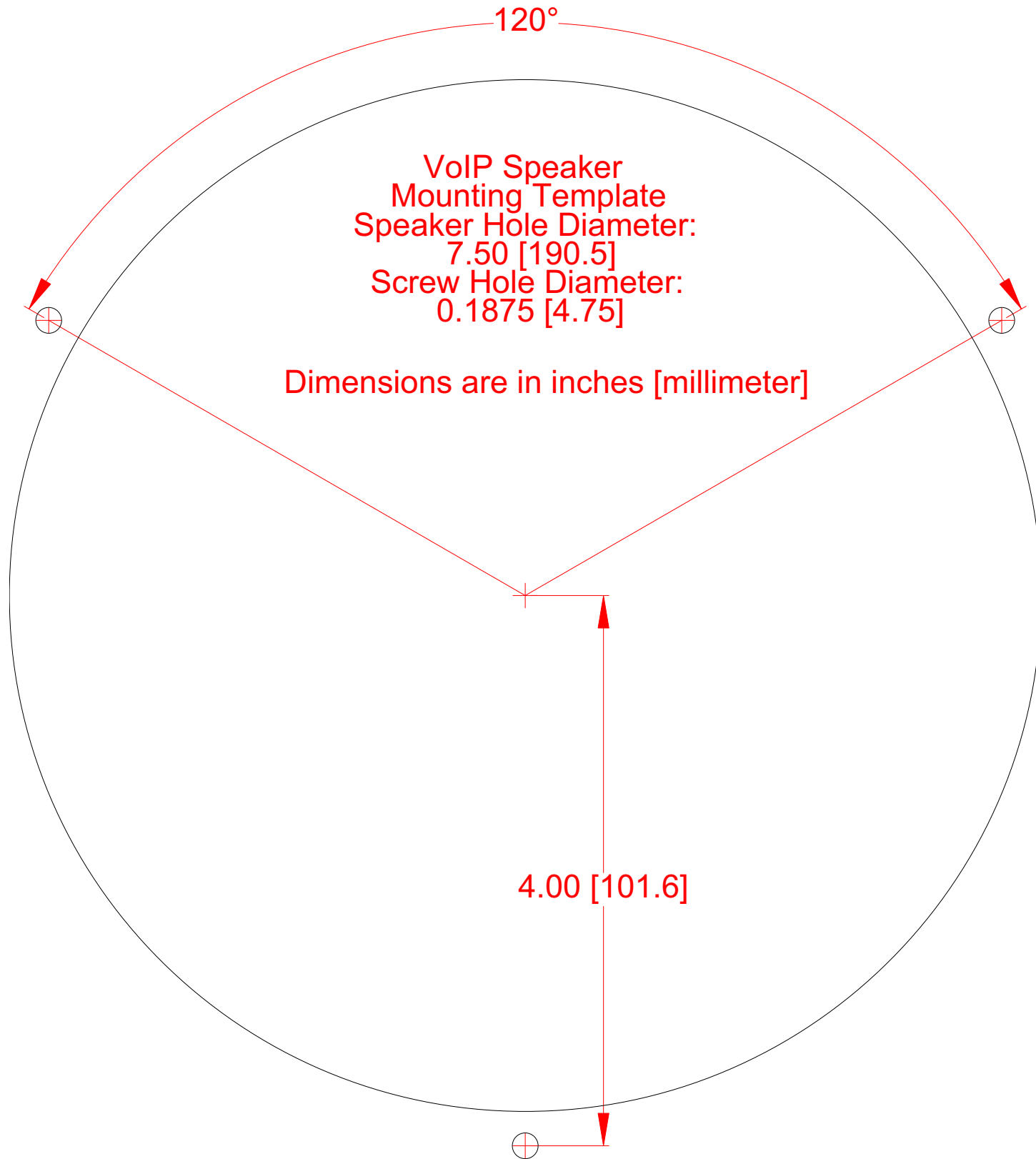
**011396\***, RAL 9003, Signal White, Optional

\*Replaces the 011102 and 011103 numbers.

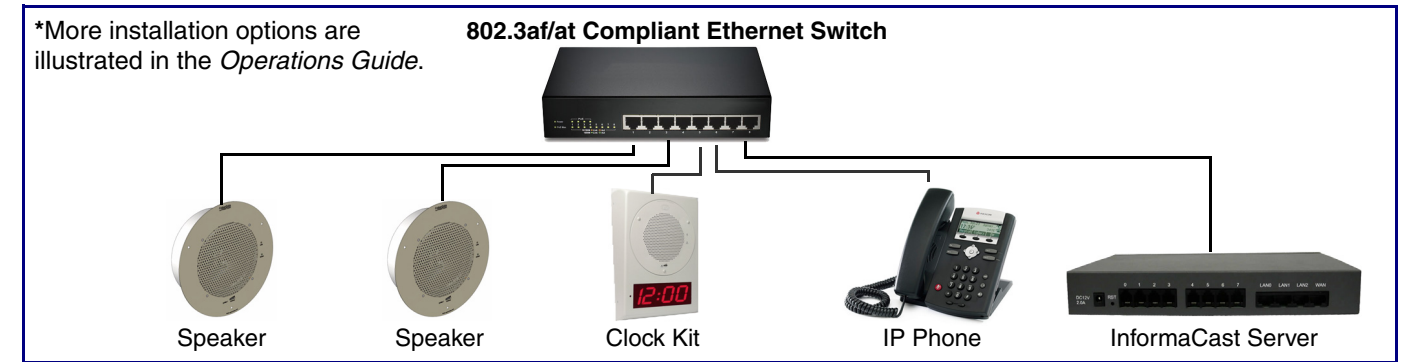


Parameter	Factory Default Setting
IP Addressing	DHCP
IP Address <sup>a</sup>	10.10.10.10
Web Access Username	admin
Web Access Password	admin
Subnet Mask <sup>a</sup>	255.0.0.0
Default Gateway <sup>a</sup>	10.0.0.1

a. Default if there is not a DHCP server present.



Typical System Installation



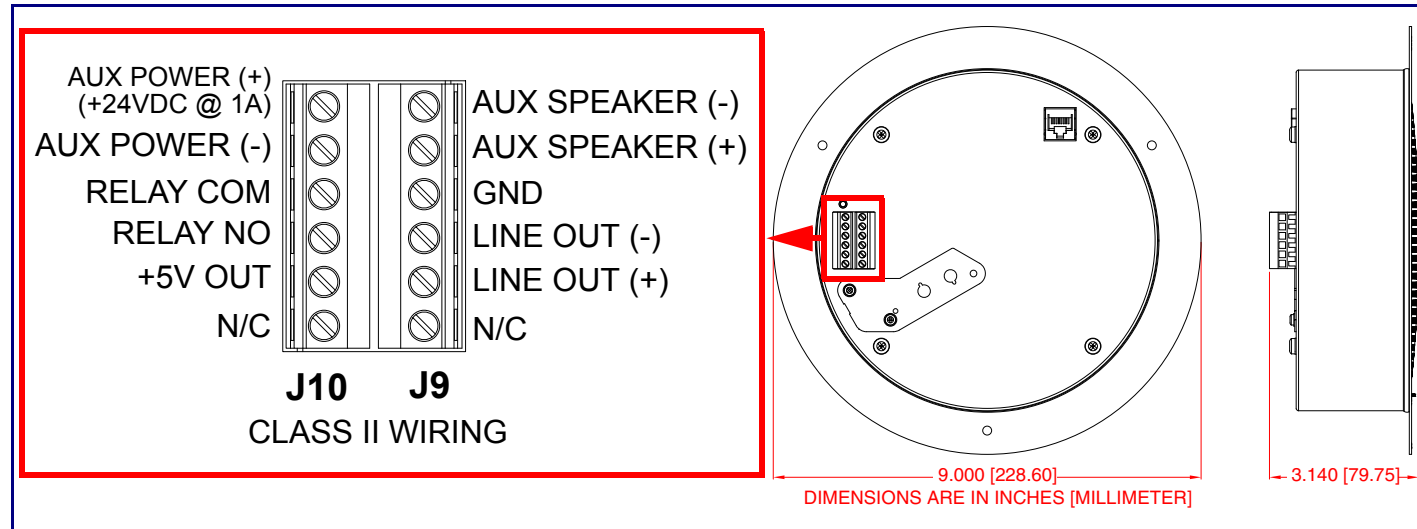
Getting Started

- Download the *Operations Guide* PDF file, from the **Downloads** tab at the following webpage:  
<http://www.cyberdata.net/voip/011395/>
- Create a plan for the locations of your SIP Speakers.
- **WARNING:** This product should be installed by a licensed electrician according to all local electrical and building codes.
- **WARNING:** To prevent injury, this apparatus must be securely attached to the floor/wall in accordance with the installation instructions.
- **WARNING:** The PoE connector is intended for intra-building connections only and does not route to the outside plant.
- **WARNING:** This enclosure is not rated for any AC voltages!

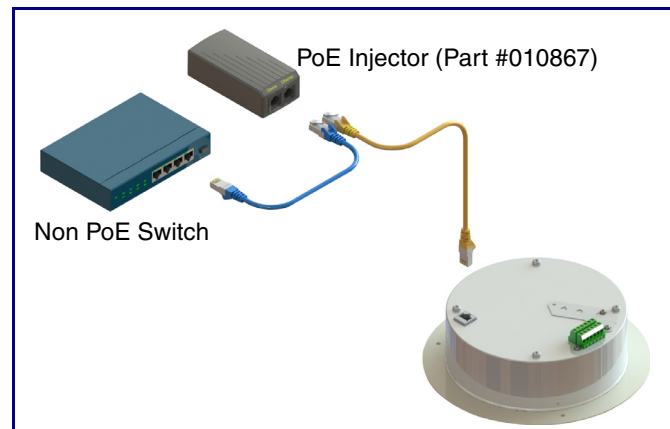
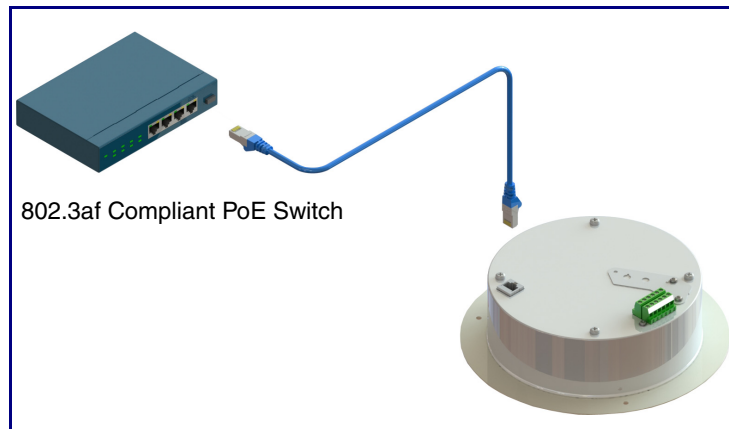
Parts

<p><b>(1) Speaker Assembly</b></p>	<p><b>(1) Template for Speaker and Screw Holes*</b></p> <p><i>* See the last page of this document</i></p>	<p><b>(1) Drop Ceiling Mounting Kit</b></p> <p>(3) #8 Nylon Thumb Nuts</p> <p>(3) #8 Fender Washers</p> <p>(3) 8-32 x 1 1/4" Mounting Screws</p>	<p><b>(1) Drywall Mounting Kit</b></p> <p>(3) Plastic Ribbed Anchors</p> <p>(3) #8 Sheet Metal Screws</p>
------------------------------------	------------------------------------------------------------------------------------------------------------	--------------------------------------------------------------------------------------------------------------------------------------------------	-----------------------------------------------------------------------------------------------------------

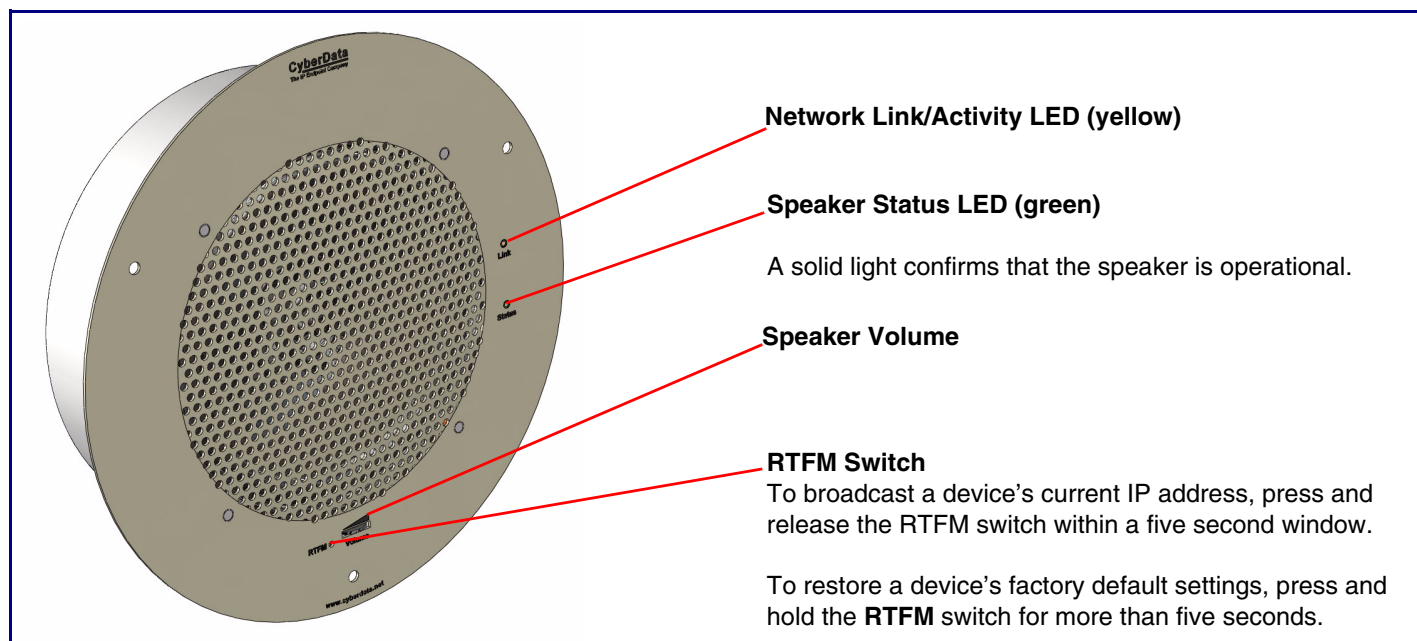
## Dimensions and Connections



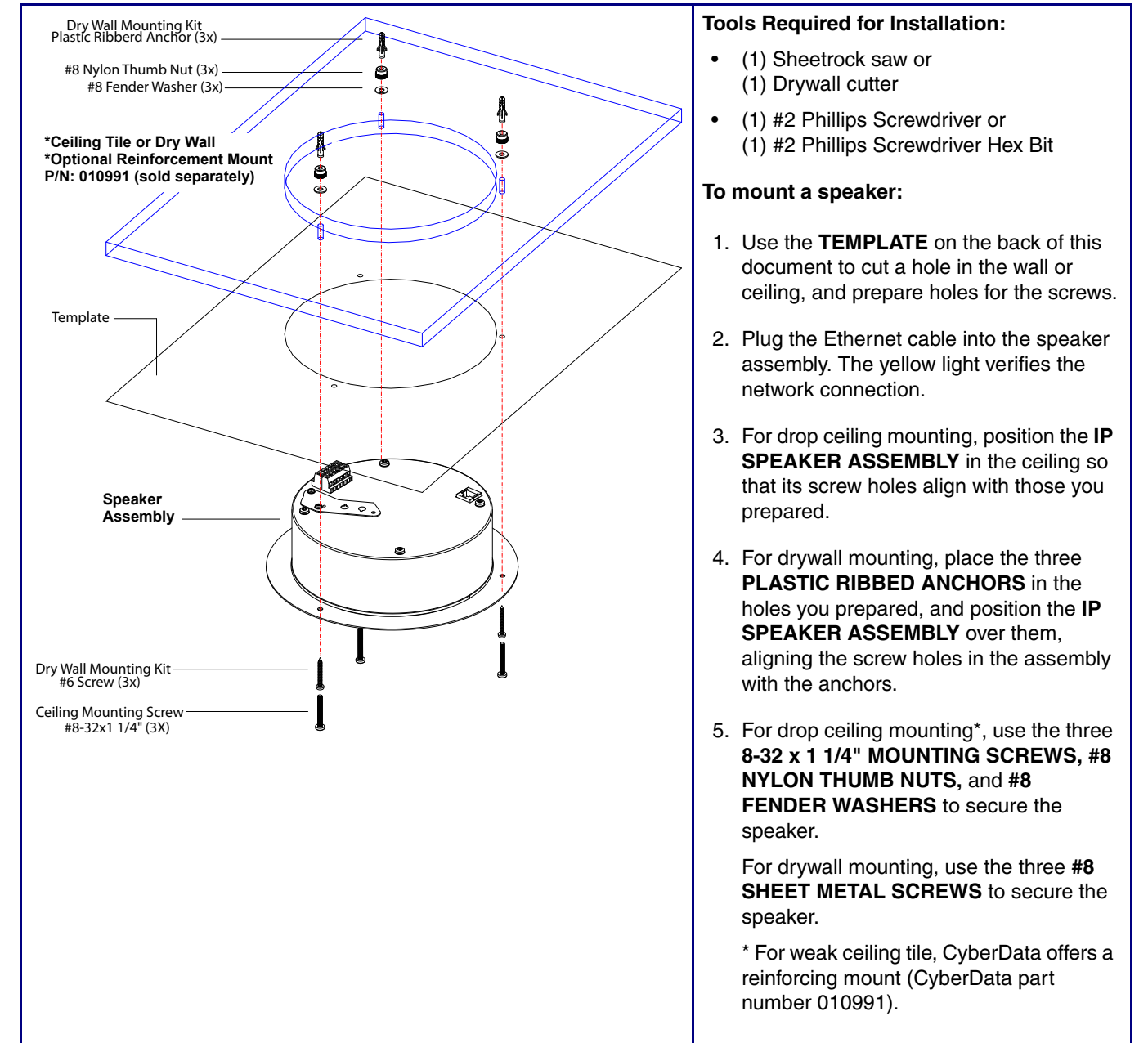
## Connecting Power



## Features



## Mounting



## Contacting CyberData

### Corporate Headquarters

CyberData Corporation  
3 Justin Court  
Monterey, CA 93940, USA

Phone: 831-373-2601  
Fax: 831-373-4193  
<http://www.cyberdata.net/>

Sales: (831) 373-2601 ext. 334  
Support: 831-373-2601 ext. 333  
Support Website: <http://support.cyberdata.net/>  
RMA Department: (831) 373-2601 ext. 136  
RMA Email: [RMA@CyberData.net](mailto:RMA@CyberData.net)  
RMA Status: <http://support.cyberdata.net/>  
Warranty Information: <http://support.cyberdata.net/>