

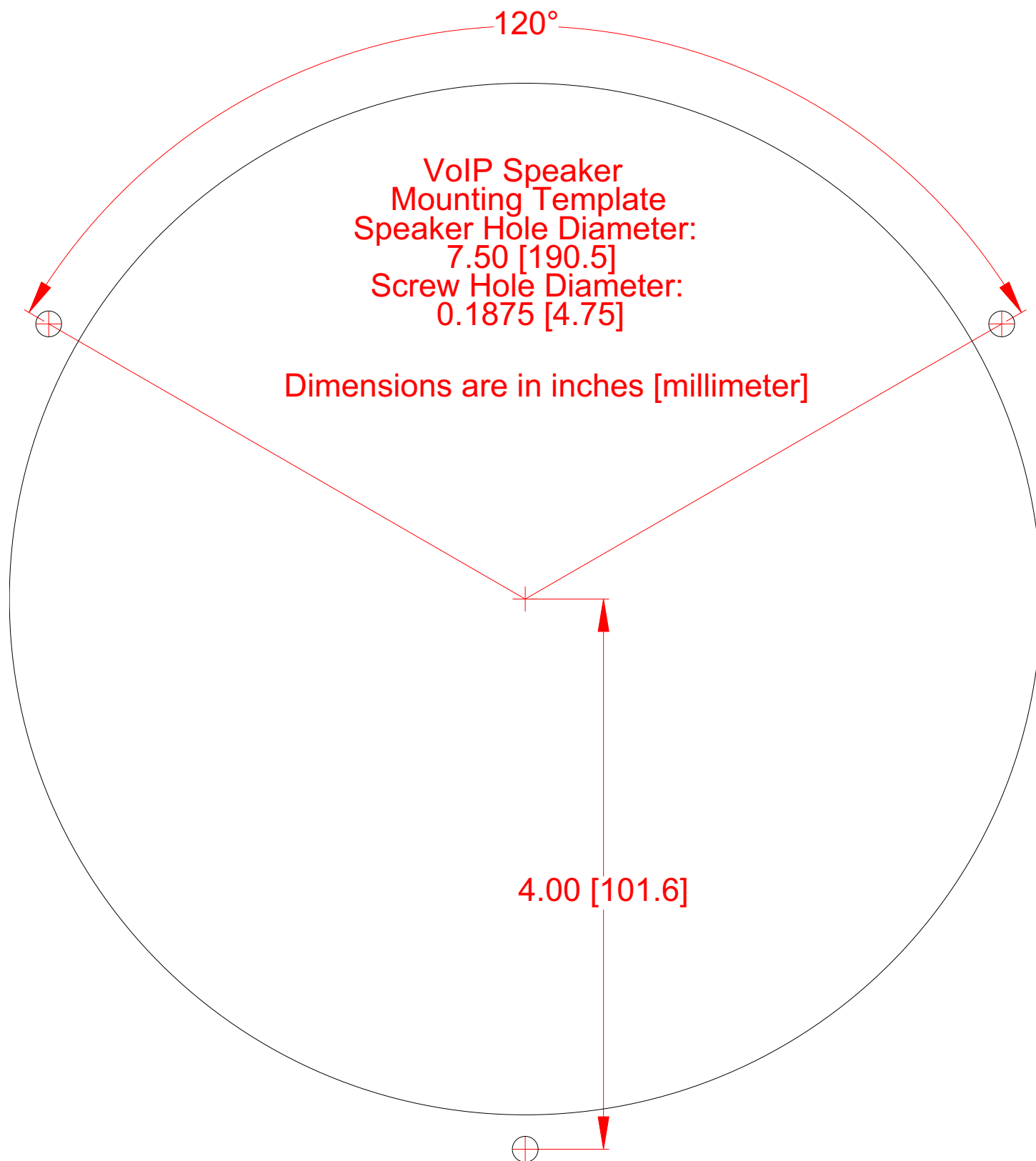
SIP Compliant

011396, RAL 9003, Signal White

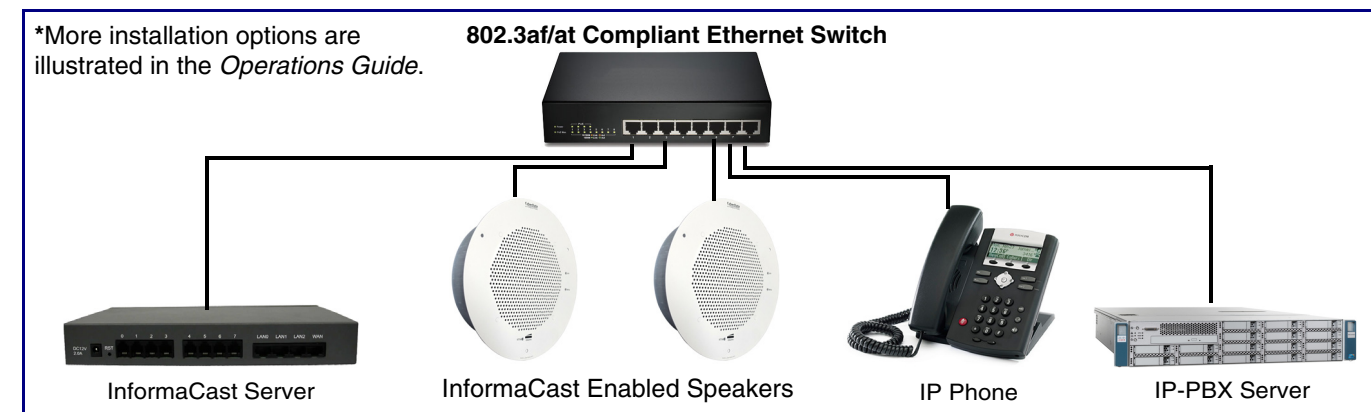


Parameter	Factory Default Setting
IP Addressing	DHCP
IP Address ^a	10.10.10.10
Web Access Username	admin
Web Access Password	admin
Subnet Mask ^a	255.0.0.0
Default Gateway ^a	10.0.0.1

a. Default if there is not a DHCP server present.



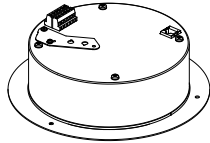
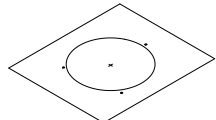
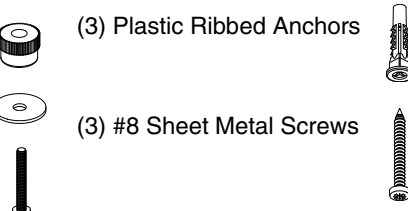
Typical System Installation



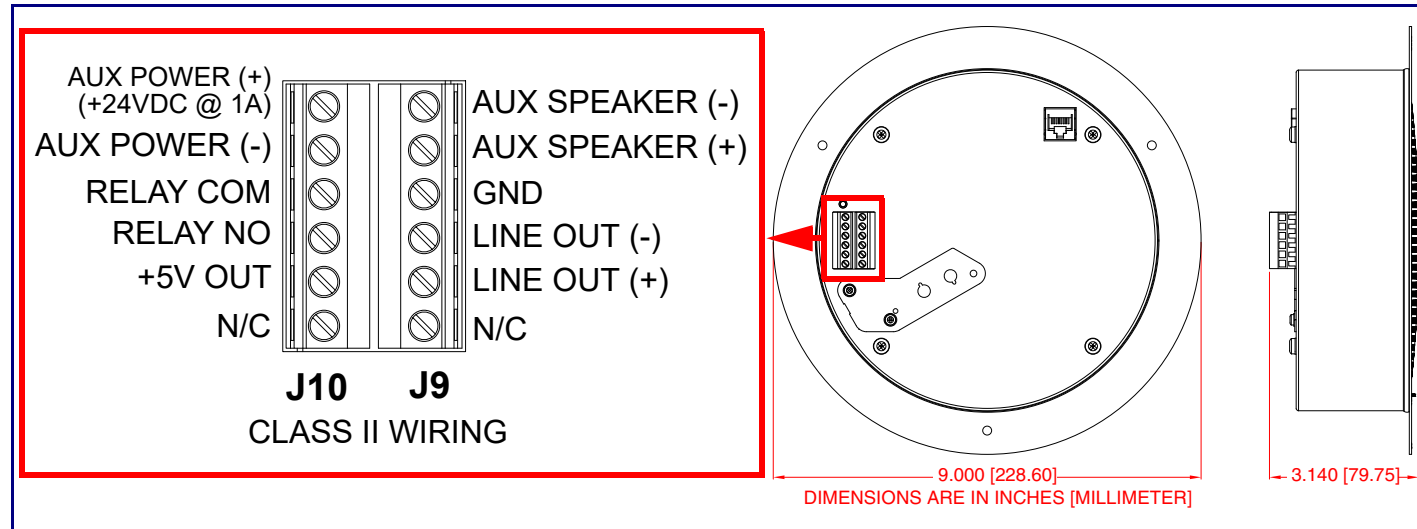
Getting Started

- Download the *Operations Guide* PDF file from the **Downloads** tab at the following webpage:
<https://www.cyberdata.net/products/011395-011396>
- Create a plan for the locations of your SIP Speakers.
- **WARNING:** This product should be installed by a licensed electrician according to all local electrical and building codes.
- **WARNING:** To prevent injury, this apparatus must be securely attached to the floor/wall in accordance with the installation instructions.
- **WARNING:** The PoE connector is intended for intra-building connections only and does not route to the outside plant.
- **WARNING:** This enclosure is not rated for any AC voltages!

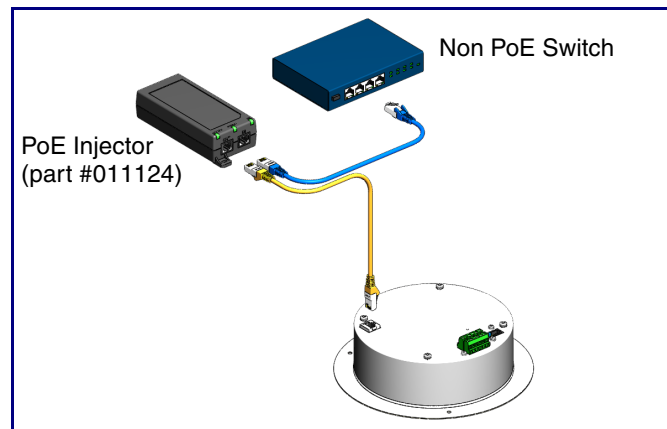
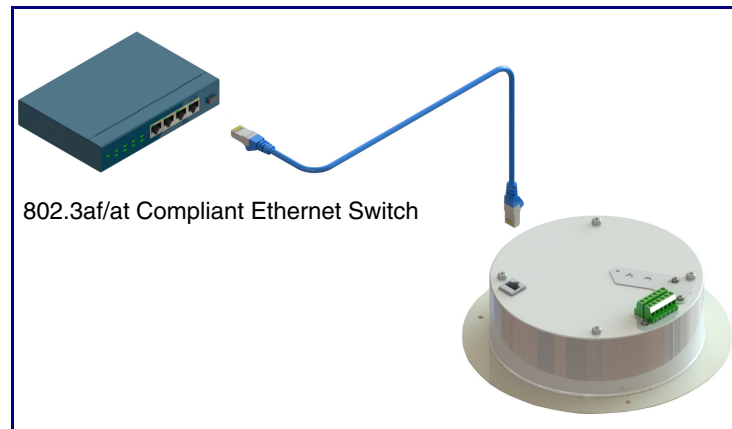
Parts

(1) Speaker Assembly 	(1) Template for Speaker and Screw Holes*  * See the last page of this document	(1) Drop Ceiling Mounting Kit (3) #8 Nylon Thumb Nuts (3) #8 Fender Washers (3) 8-32 x 1 1/4" Mounting Screws	(1) Drywall Mounting Kit (3) Plastic Ribbed Anchors (3) #8 Sheet Metal Screws 
---	--	--	--

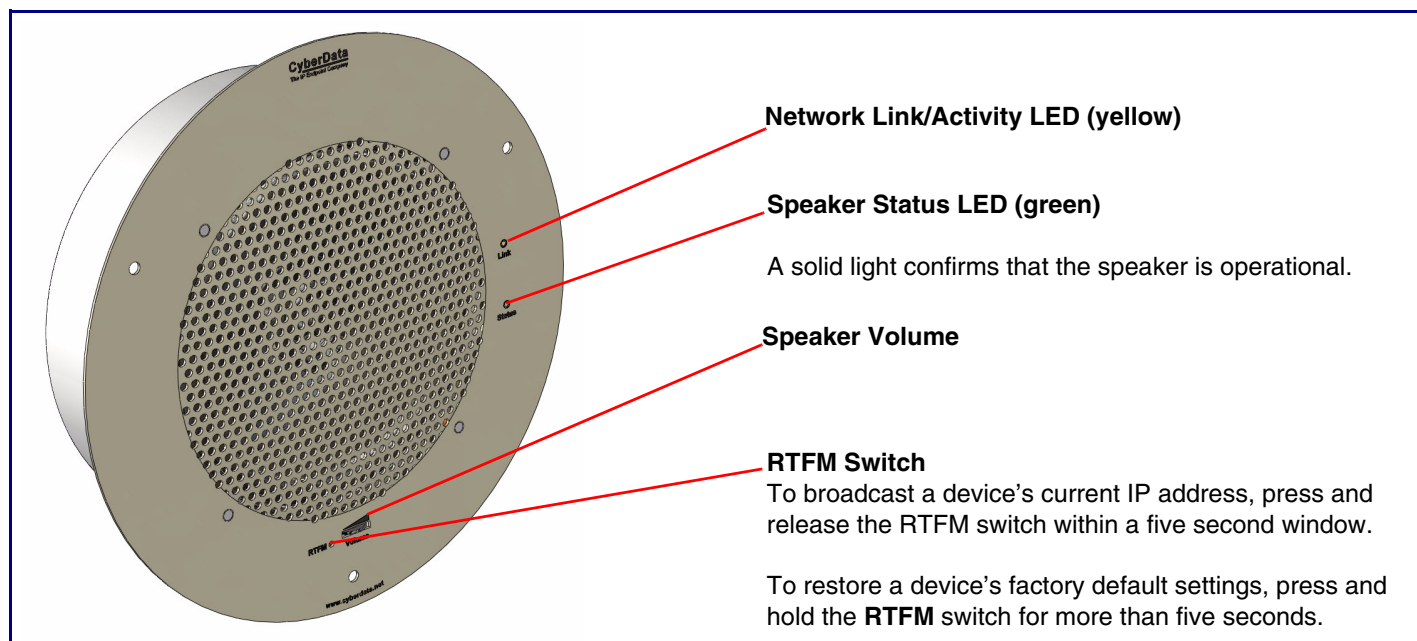
Dimensions and Connections



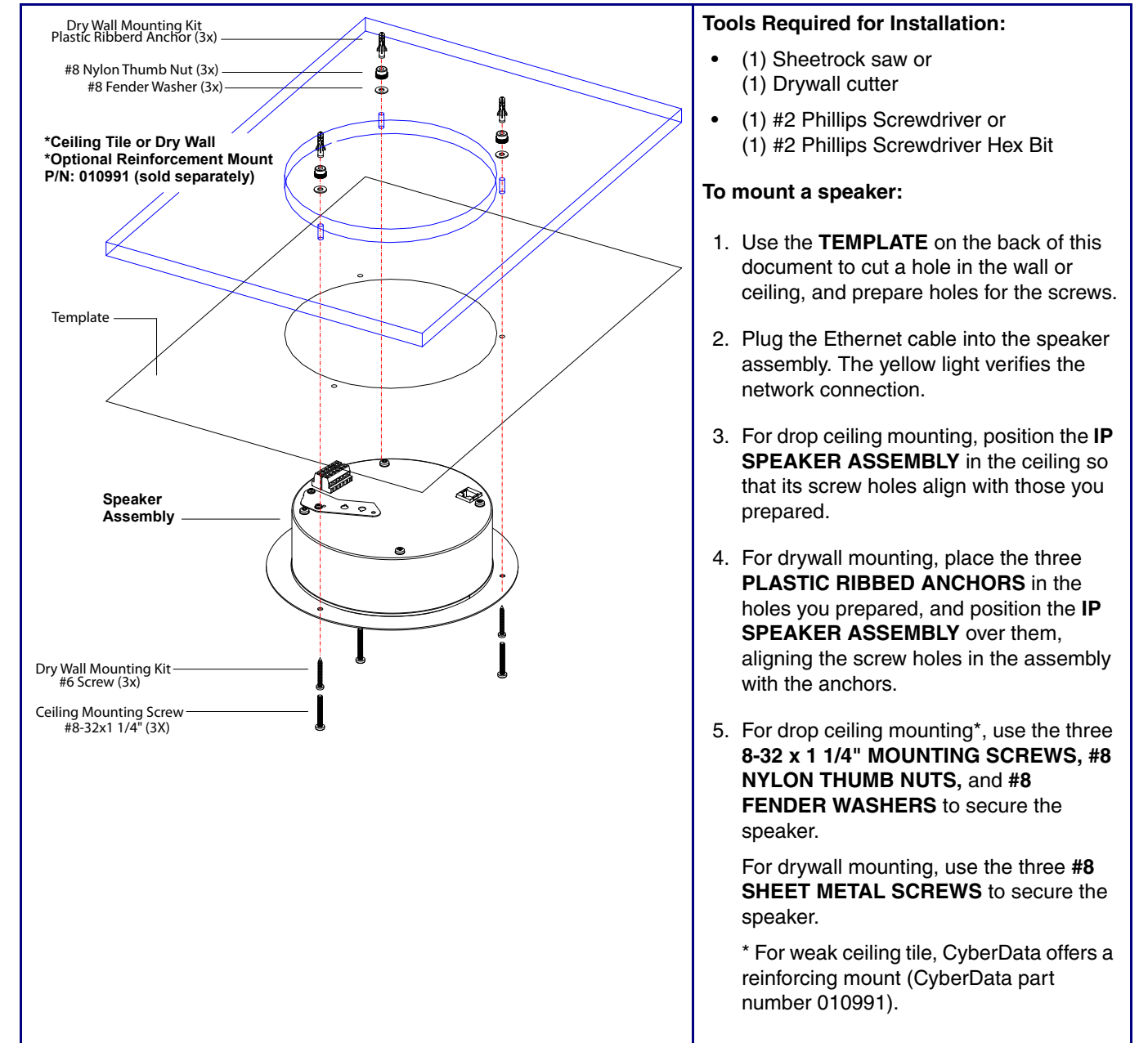
Connecting Power



Features



Mounting



Tools Required for Installation:

- (1) Sheetrock saw or (1) Drywall cutter
- (1) #2 Phillips Screwdriver or (1) #2 Phillips Screwdriver Hex Bit

To mount a speaker:

1. Use the **TEMPLATE** on the back of this document to cut a hole in the wall or ceiling, and prepare holes for the screws.
2. Plug the Ethernet cable into the speaker assembly. The yellow light verifies the network connection.
3. For drop ceiling mounting, position the **IP SPEAKER ASSEMBLY** in the ceiling so that its screw holes align with those you prepared.
4. For drywall mounting, place the three **PLASTIC RIBBED ANCHORS** in the holes you prepared, and position the **IP SPEAKER ASSEMBLY** over them, aligning the screw holes in the assembly with the anchors.
5. For drop ceiling mounting*, use the three **8-32 x 1 1/4" MOUNTING SCREWS, #8 NYLON THUMB NUTS, and #8 FENDER WASHERS** to secure the speaker.

For drywall mounting, use the three **#8 SHEET METAL SCREWS** to secure the speaker.

* For weak ceiling tile, CyberData offers a reinforcing mount (CyberData part number 010991).

Contacting CyberData

Corporate Headquarters

CyberData Corporation
3 Justin Court
Monterey, CA 93940, USA

Phone: 831-373-2601
Fax: 831-373-4193
<http://www.cyberdata.net/>

Sales: (831) 373-2601 ext. 334
Support: 831-373-2601 ext. 333
Support Website: <http://support.cyberdata.net/>
RMA Department: (831) 373-2601 ext. 136
RMA Email: RMA@CyberData.net
RMA Status: <http://support.cyberdata.net/>
Warranty Information: <http://support.cyberdata.net/>