

SIP Compliant

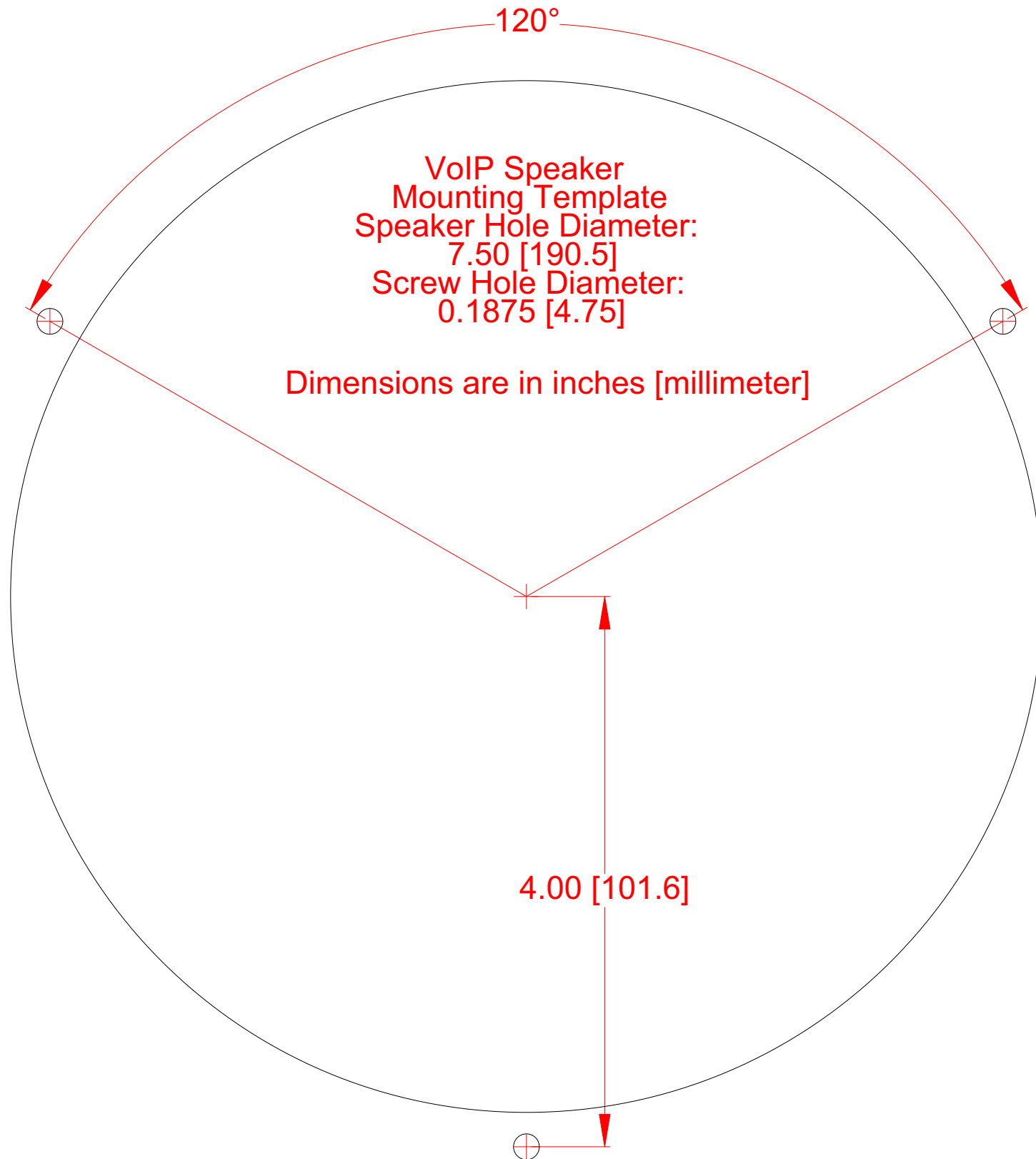
011400*

*Replaces the 011183 number.

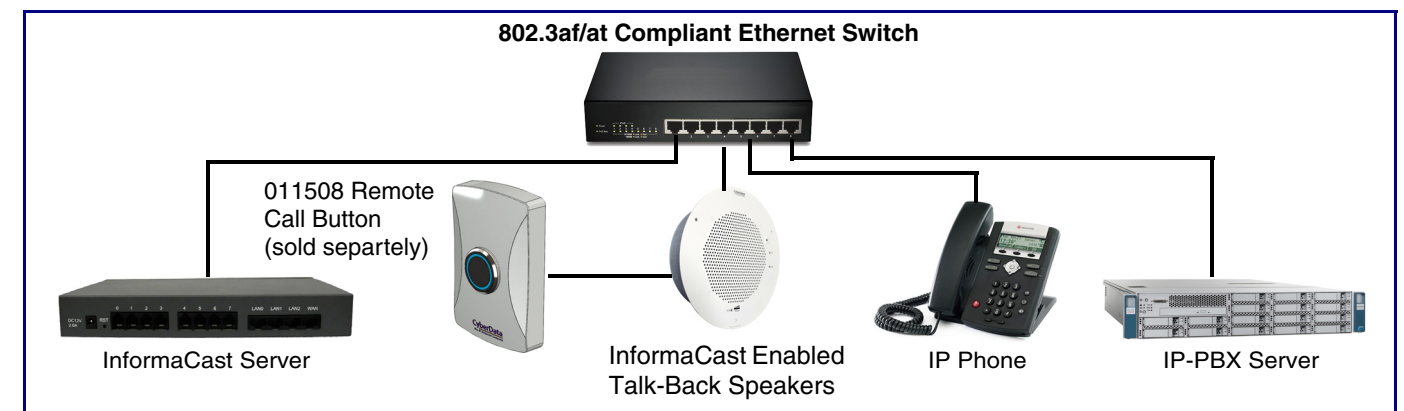


Parameter	Factory Default Setting
IP Addressing	DHCP
IP Address ^a	10.10.10.10
Web Access Username	admin
Web Access Password	admin
Subnet Mask ^a	255.0.0.0
Default Gateway ^a	10.0.0.1

a. Default if there is not a DHCP server present.



Typical System Installation



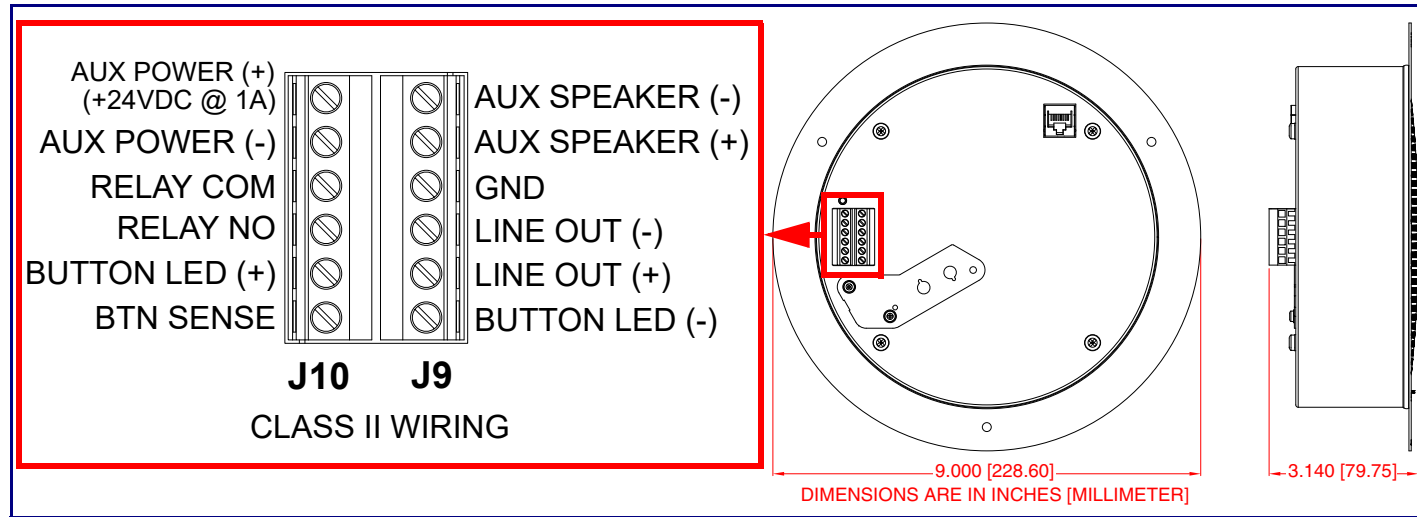
Getting Started

- Download the *Operations Guide* PDF file, from the **Downloads** tab at the following webpage:
<https://www.cyberdata.net/products/011399-011400>
- Create a plan for the locations of your InformaCast Enabled Talk-Back Speakers.
- **WARNING:** This product should be installed by a licensed electrician according to all local electrical and building codes.
- **WARNING:** To prevent injury, this apparatus must be securely attached to the floor/wall in accordance with the installation instructions.
- **WARNING:** The PoE connector is intended for intra-building connections only and does not route to the outside plant.
- **WARNING:** This enclosure is not rated for any AC voltages!

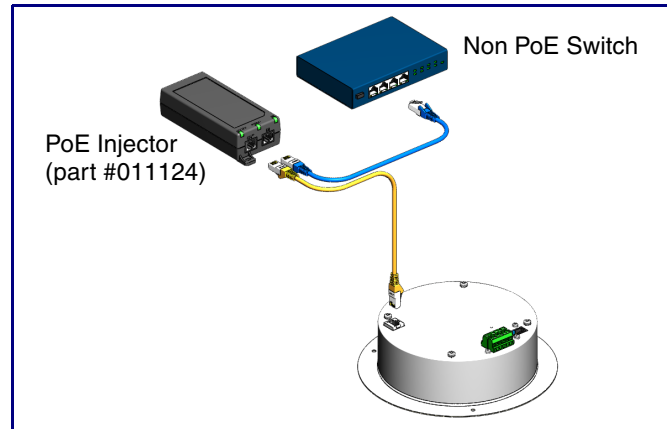
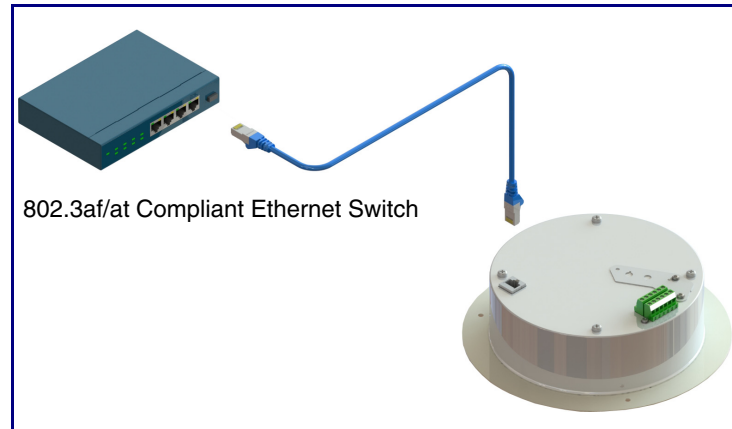
Parts

<p>(1) Speaker Assembly</p> <p>(1) Template</p> <p><i>* See the last page of this document</i></p>	<p>(1) Drop Ceiling Mounting Kit</p> <p>(3) #8 Nylon Thumb Nuts </p> <p>(3) #8 Fender Washers </p> <p>(3) 8-32 x 1 1/4" Mounting Screws </p>	<p>(1) Drywall Mounting Kit</p> <p>(3) Plastic Ribbed Anchors </p> <p>(3) #8 Sheet Metal Screws </p>
--	---	---

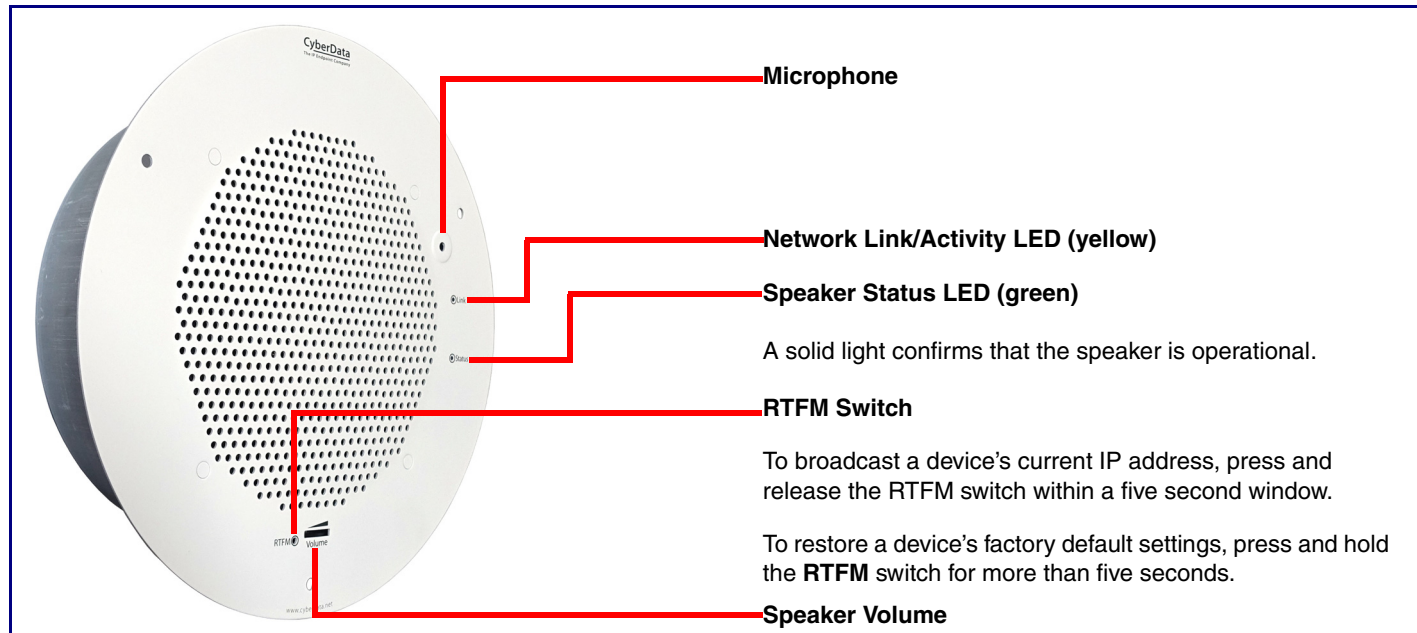
Dimensions and Connections



Connecting Power



Features



Mounting

Tools Required for Installation:

- (1) Sheetrock saw or (1) Drywall cutter
- (1) #2 Phillips Screwdriver or (1) #2 Phillips Screwdriver Hex Bit

To mount a speaker:

- Use the **TEMPLATE** on the back of this document to cut a hole in the wall or ceiling, and prepare holes for the screws.
- Plug the Ethernet cable into the speaker assembly. The yellow light verifies the network connection.
- For drop ceiling mounting, position the **IP SPEAKER ASSEMBLY** in the ceiling so that its screw holes align with those you prepared.
- For drywall mounting, place the three **PLASTIC RIBBED ANCHORS** in the holes you prepared, and position the **IP SPEAKER ASSEMBLY** over them, aligning the screw holes in the assembly with the anchors.
- For drop ceiling mounting*, use the three **8-32 x 1 1/4" MOUNTING SCREWS, #8 NYLON THUMB NUTS, and #8 FENDER WASHERS** to secure the speaker.

For drywall mounting, use the three **#8 SHEET METAL SCREWS** to secure the speaker.

* For weak ceiling tile, CyberData offers a reinforcing mount (CyberData part number 010991).

Dry Wall Mounting Kit
Plastic Ribbed Anchor (3x)
#8 Nylon Thumb Nut (3x)
#8 Fender Washer (3x)

*Ceiling Tile or Dry Wall
*Optional Reinforcement Mount
P/N: 010991 (sold separately)

Template

Speaker Assembly

Dry Wall Mounting Kit
#6 Screw (3x)

Ceiling Mounting Screw
#8-32x1 1/4" (3X)

Contacting CyberData

Corporate Headquarters

CyberData Corporation
3 Justin Court
Monterey, CA 93940, USA

Phone: 831-373-2601
Fax: 831-373-4193
<http://www.cyberdata.net/>

Sales: (831) 373-2601 ext. 334
Support: 831-373-2601 ext. 333
Support Website: <http://support.cyberdata.net/>
RMA Department: (831) 373-2601 ext. 136
RMA Email: RMA@CyberData.net
RMA Status: <http://support.cyberdata.net/>
Warranty Information: <http://support.cyberdata.net/>