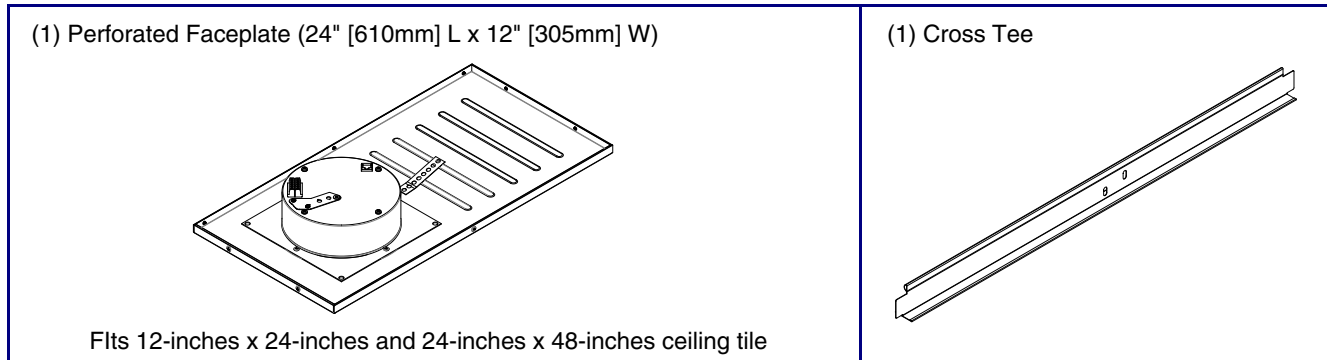


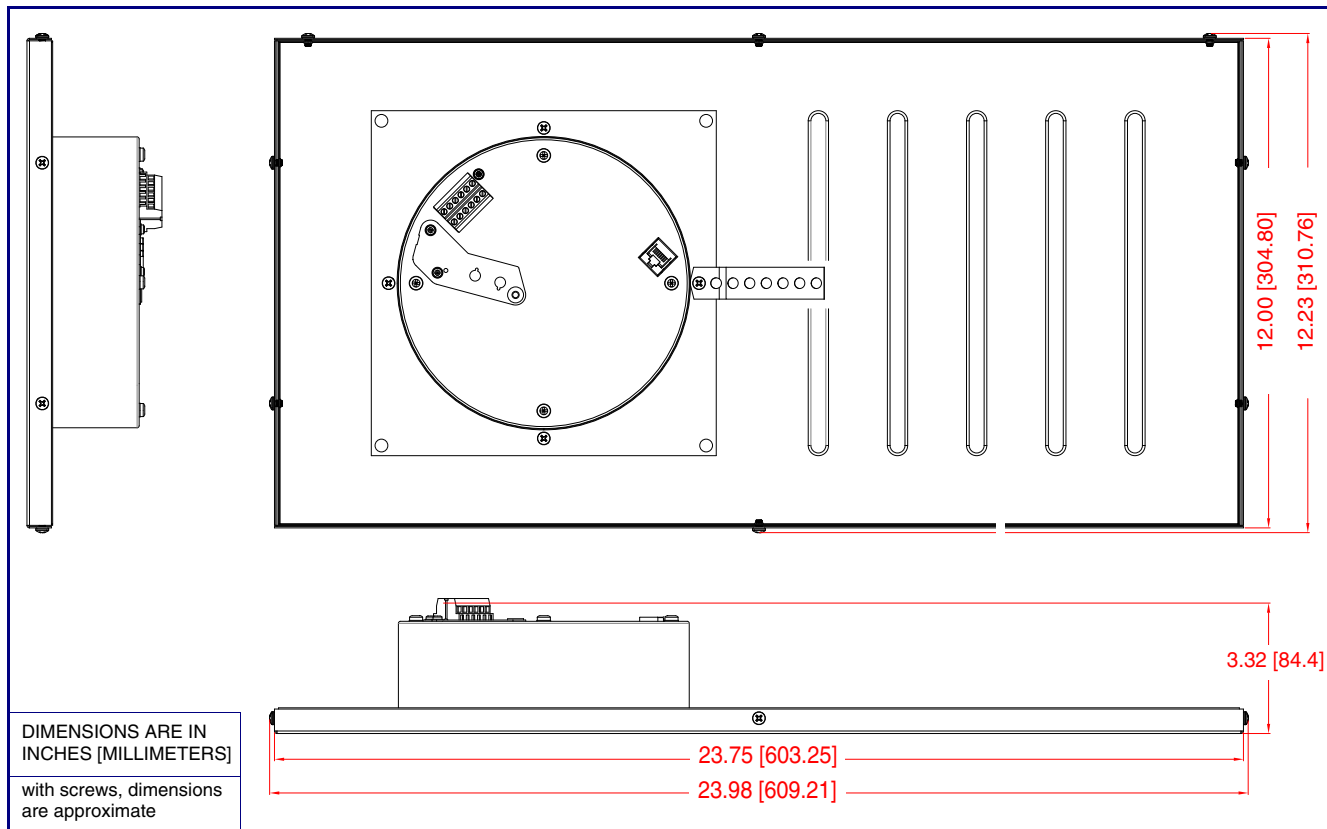
Ceiling Tile Drop-In Speaker 011401

The Ceiling Tile Drop-In Speaker is an adapter that is built for a CyberData Ceiling speaker.

Parts



Dimensions

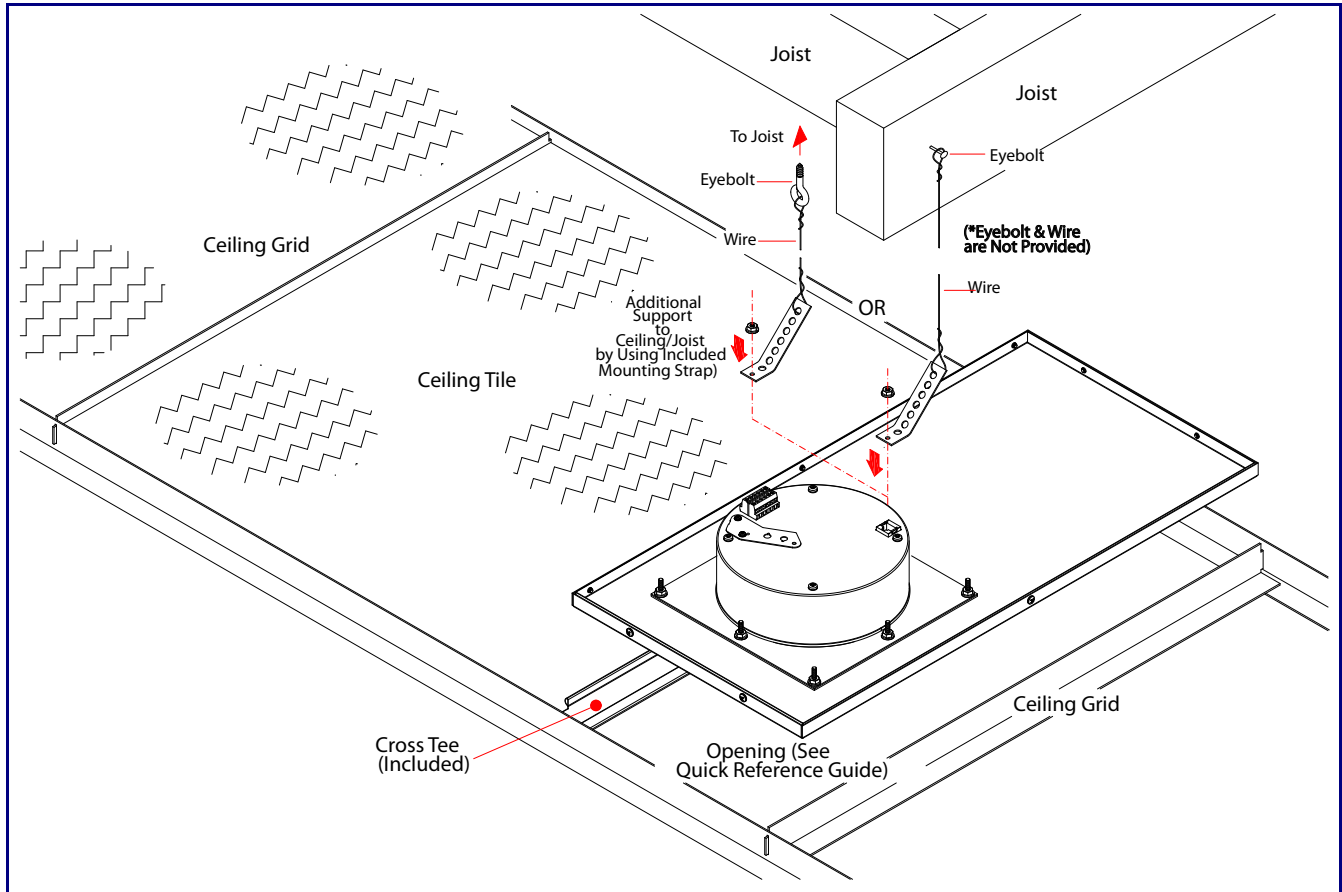


Procedure

To install the Ceiling Tile Drop-In Speaker, refer to the drawing in the "Installing the Ceiling Tile Drop-In Speaker" section on the other side of this document. Complete the following steps:

1. Remove the ceiling tile from the ceiling (T-tracks).
2. For 2ft. x 4 ft. tile space, cut the ceiling tile to 35-1/2" long or for a 2 ft. x 2ft. tile space, cut to 11-1/2" long.
3. Place the speaker in the ceiling with the tile support rail crossbar facing the ceiling tile opening.
4. Drop in the tile.

Installing the Ceiling Tile Drop-In Speaker



Contacting CyberData

Corporate Headquarters

CyberData Corporation
3 Justin Court
Monterey, CA 93940, USA

Phone: 831-373-2601
Fax: 831-373-4193
<http://www.cyberdata.net/>

Sales: (831) 373-2601 ext. 334
Support: 831-373-2601 ext. 333
Support Website: <http://support.cyberdata.net/>
RMA Department: (831) 373-2601 ext. 136
RMA Email: RMA@CyberData.net
RMA Status: <http://support.cyberdata.net/>
Warranty Information: <http://support.cyberdata.net/>