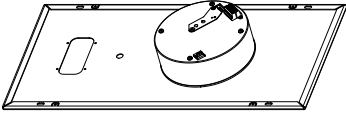



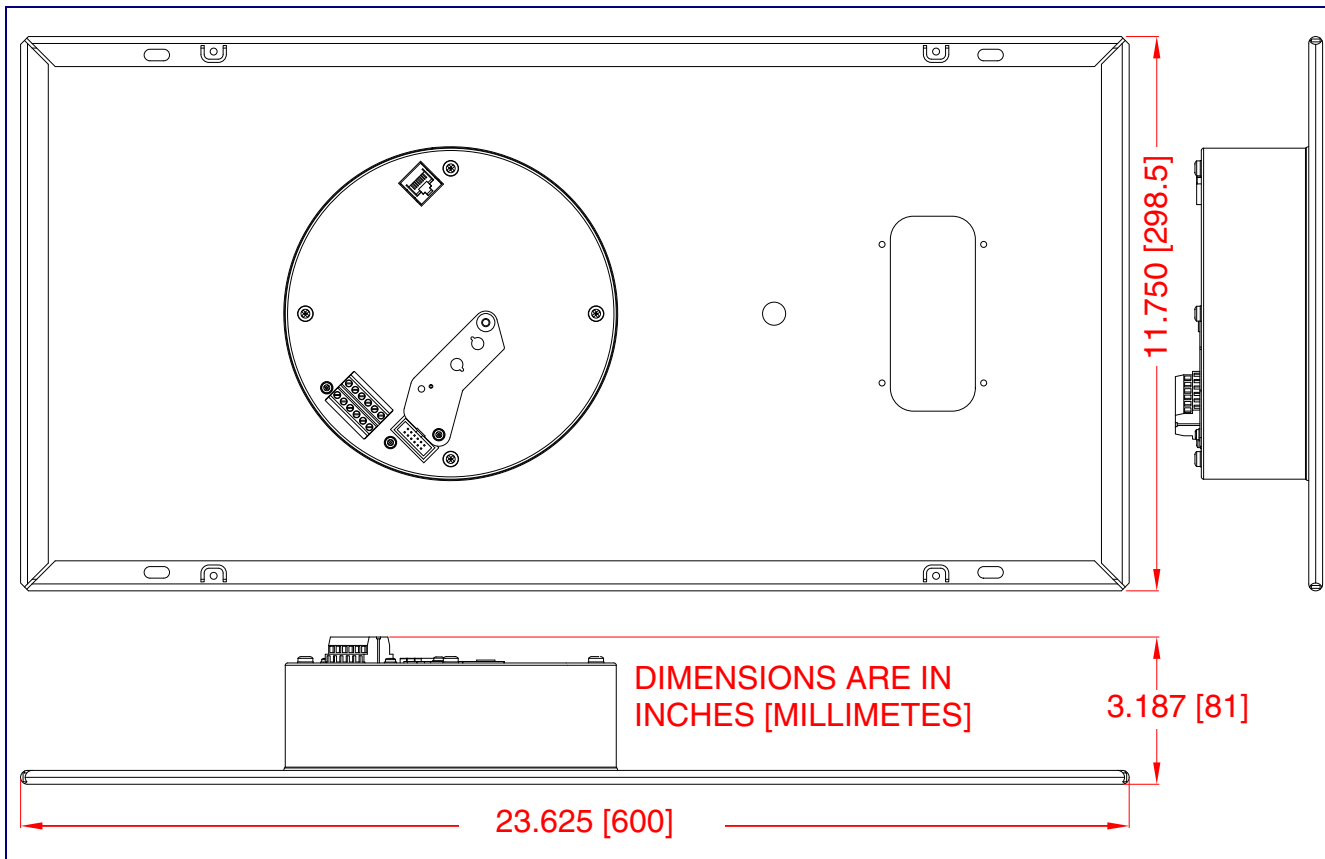
Ceiling Tile Drop-In Speaker

011401

Parts

<p>(1) 1 x 2 Ceiling Tile Speaker Assembly</p>  <p>Fits 12-inches x 24-inches and 24-inches x 48-inches ceiling tile</p>	<p>(1) Cross Tee</p> 
-----------------------------------------------------------------------------------------------------------------------------------------------------------------------------------------------------------	----------------------------------------------------------------------------------------------------------

Dimensions



Contacting CyberData

Corporate Headquarters

CyberData Corporation
3 Justin Court
Monterey, CA 93940, USA

Phone: 831-373-2601
Fax: 831-373-4193
<http://www.cyberdata.net/>

Sales: (831) 373-2601 ext. 334
Support: 831-373-2601 ext. 333
Support Website: <http://support.cyberdata.net/>
RMA Department: (831) 373-2601 ext. 136
RMA Email: RMA@CyberData.net
RMA Status: <http://support.cyberdata.net/>
Warranty Information: <http://support.cyberdata.net/>

Installation Procedure

To install the Ceiling Tile Drop-In Speaker, complete the following steps while referencing the figure below:

1. Remove the Ceiling Tile (Showing a 2 x 2 Grid) from the Ceiling Grid then Cut it in Half.
2. Place the Cross T in the Middle to Support the Weak Side of the Ceiling Tile.
3. Replace the Ceiling Tile on to the Ceiling Grid.
4. Use a Flat Blade Screwdriver to Pry Up the Seismic Tether Bracket(s) on the 1 x 2 Ceiling Tile Speaker Assembly.
5. Install Eyebolt(s) or Nail(s) to the Joist.
6. Connect the Network Cable to the Network Port and Wire(s) to the Terminal Block, etc. to the 1 x 2 Ceiling Tile Speaker Assembly.
7. Use Steel Wire(s) to Connect Seismic Tether Bracket(s) to the Eyebolt(s) or Nail(s). Place the 1 x 2 Ceiling Tile Speaker Assembly on to the Ceiling Grid and the Cross T.

Installing the Ceiling Tile Drop-In Speaker

