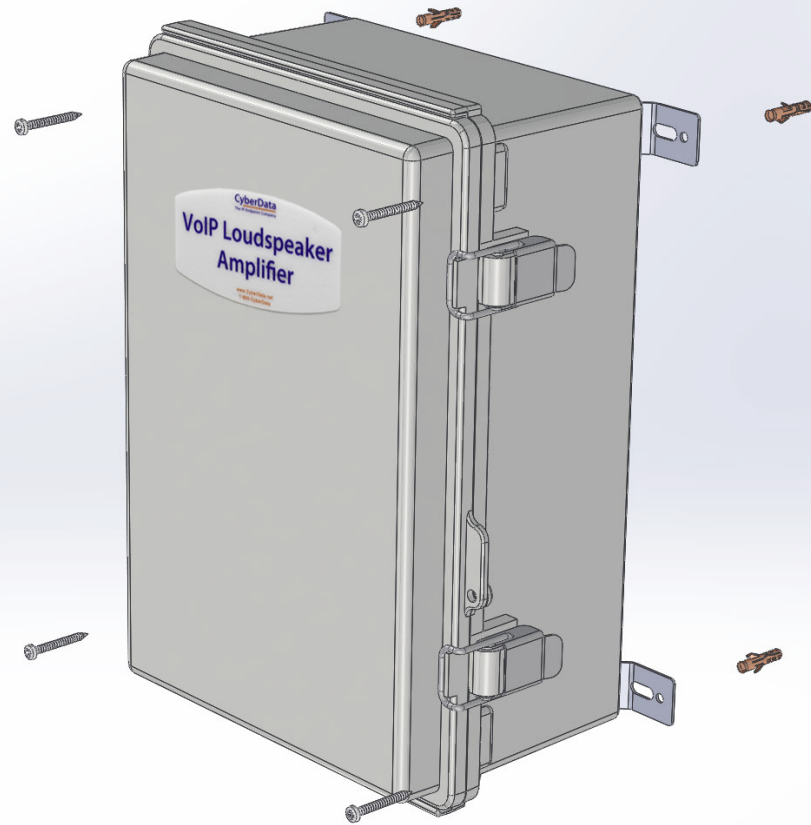


## Mounting the Enclosure

### To mount the enclosure:

1. Prepare holes for the screws.
2. Plug in the power adapter and use the **Power (PWR)** LED to verify that the power is on.
3. Plug the ethernet cable into the device. The **Link/Activity (Link/Act.)** LED verifies the network connection.
4. For wall mounting, use the three #8 x 1-1/4-inch Pan Head Phillips Self-Tapping Screws.



**CyberData**  
The IP Endpoint Company

Installation Quick Reference

SIP Loudspeaker Amplifier

(PoE)

SIP Compliant

011405



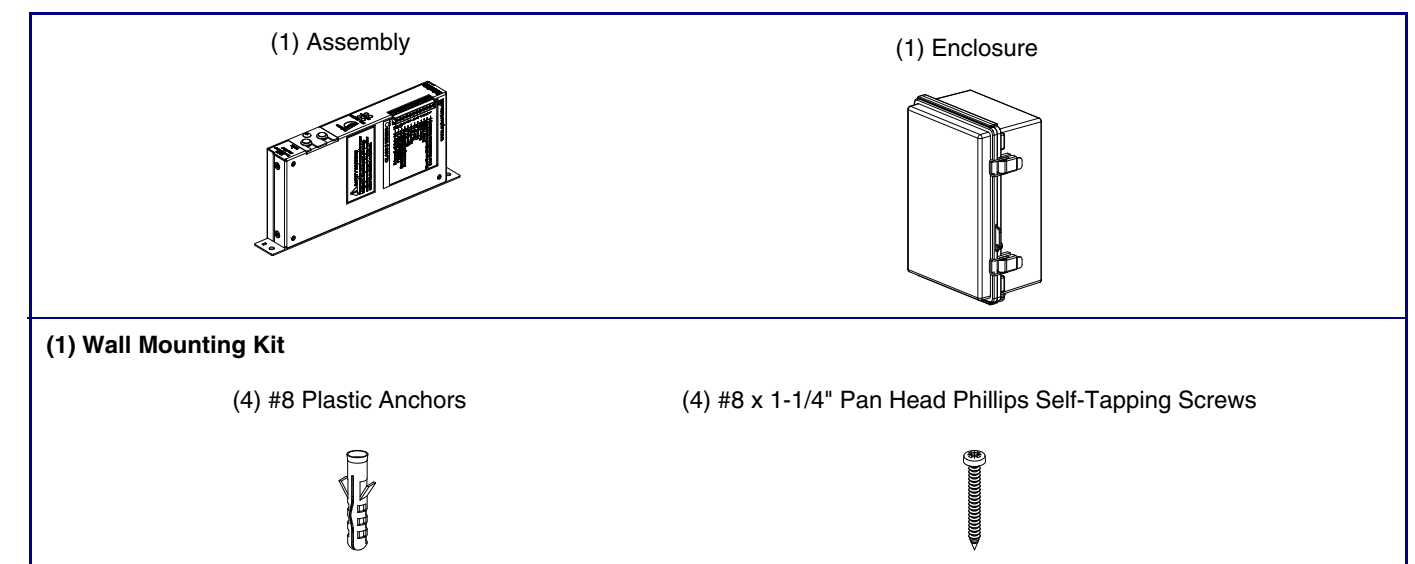
Parameter	Factory Default Setting
IP Addressing	DHCP
IP Address <sup>a</sup>	10.10.10.10
Web Access Username	admin
Web Access Password	admin
Subnet Mask <sup>a</sup>	255.0.0.0
Default Gateway <sup>a</sup>	10.0.0.1

a. Default if there is not a DHCP server present.

## Getting Started

- Download the Operations Guide PDF file from the **Documents** tab at the following webpage: <https://www.cyberdata.net/products/011405>
- Create a plan for the locations of your paging amplifiers.
- **WARNING: This product should be installed by a licensed electrician according to all local electrical and building codes.**
- **WARNING: To prevent injury, this apparatus must be securely attached to the floor/wall in accordance with the installation instructions.**
- **WARNING: The PoE connector is intended for intra-building connections only and does not route to the outside plant.**
- **WARNING: The SIP Loudspeaker Amplifier enclosure is not rated for any AC voltages!**

## Parts



## Contacting CyberData

### Corporate Headquarters

CyberData Corporation  
3 Justin Court  
Monterey, CA 93940, USA

Phone: 831-373-2601  
Fax: 831-373-4193

<http://www.cyberdata.net/>

Sales: (831) 373-2601 ext. 334

Support: 831-373-2601 ext. 333

Support Website: <http://support.cyberdata.net/>

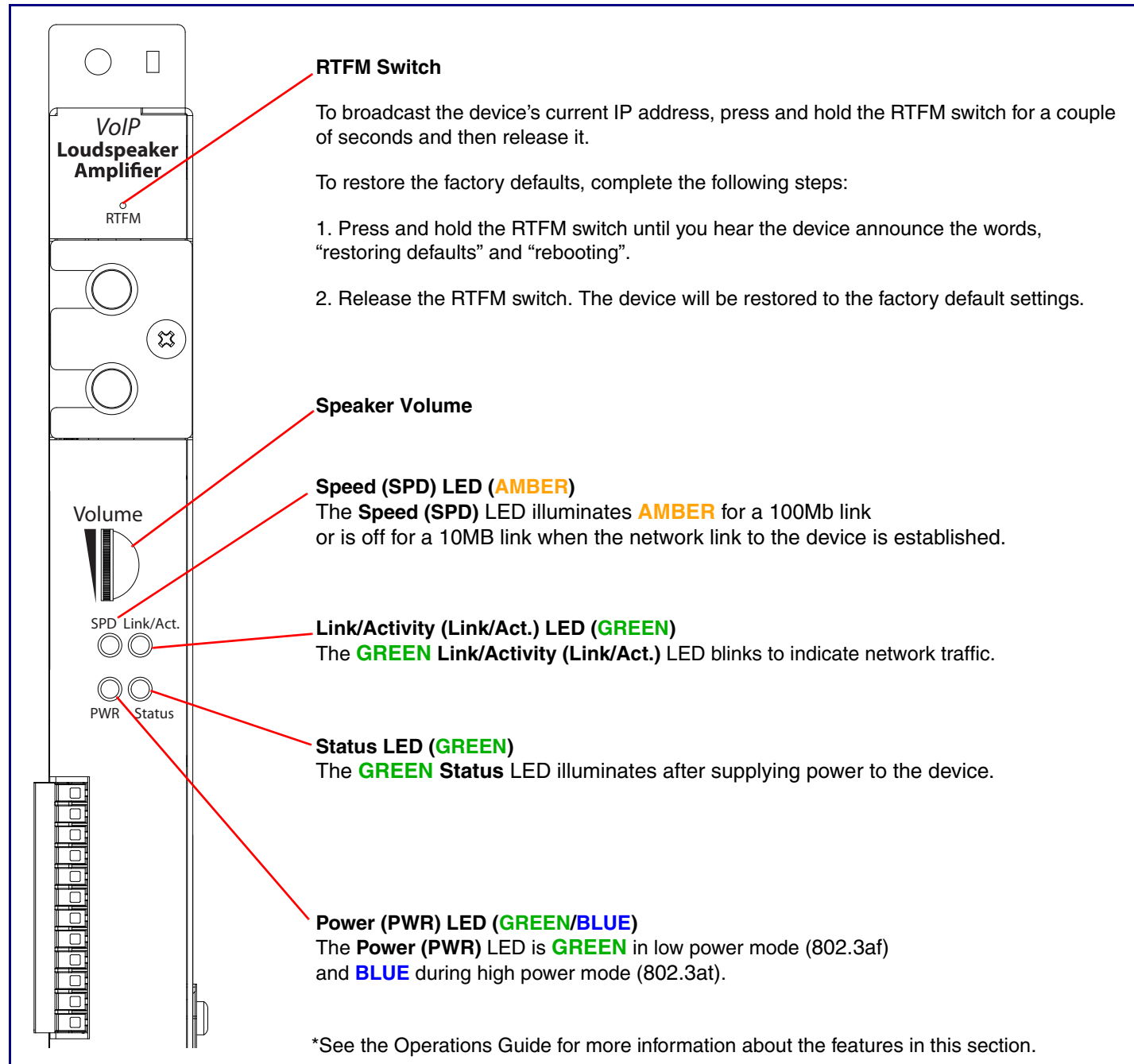
RMA Department: (831) 373-2601 ext. 136

RMA Email: [RMA@CyberData.net](mailto:RMA@CyberData.net)

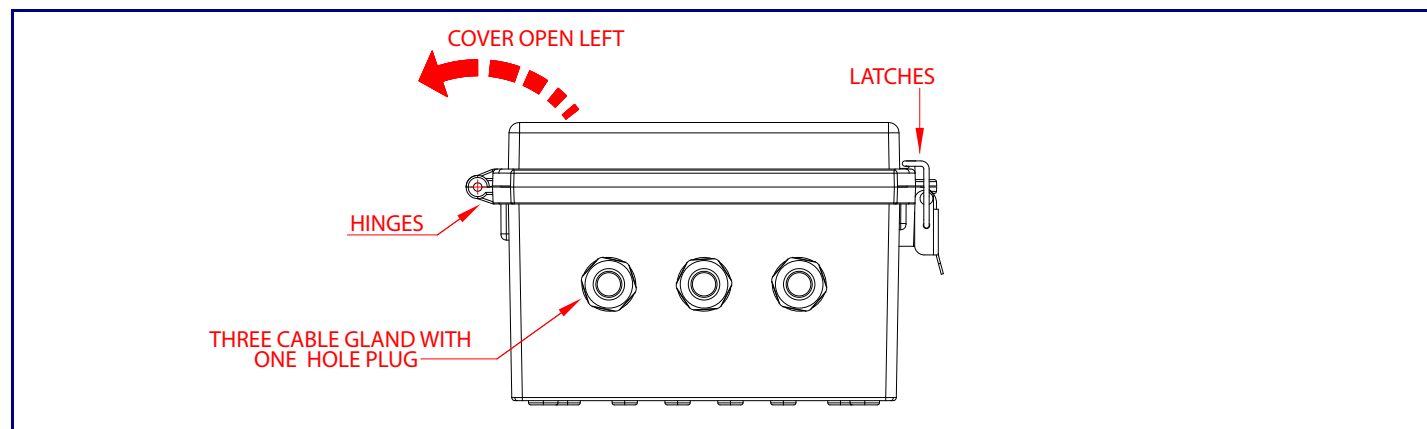
RMA Status: <http://support.cyberdata.net/>

Warranty Information: <http://support.cyberdata.net/>

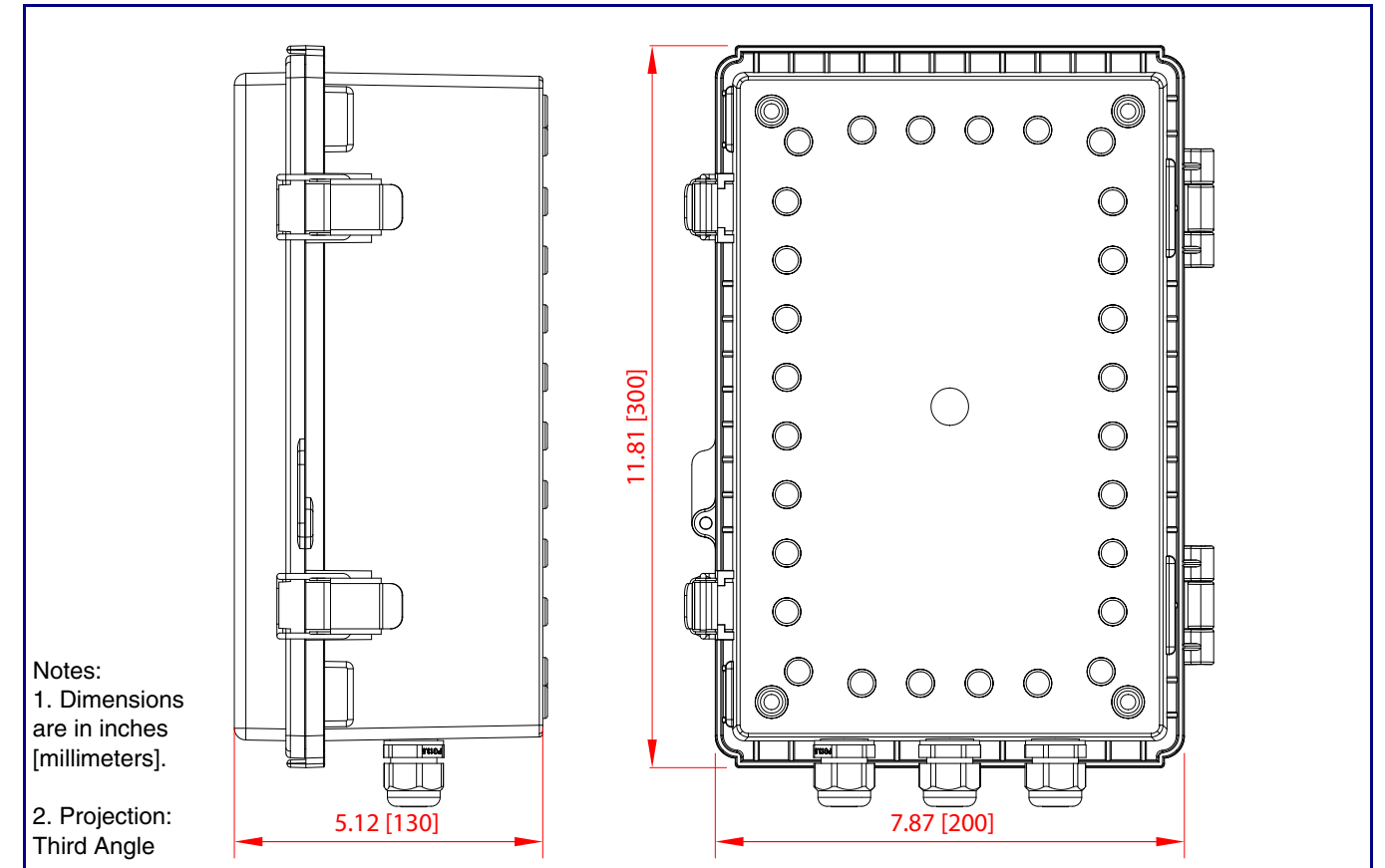
## Features



## Enclosure Features



## Dimensions



## Mounting Bracket

