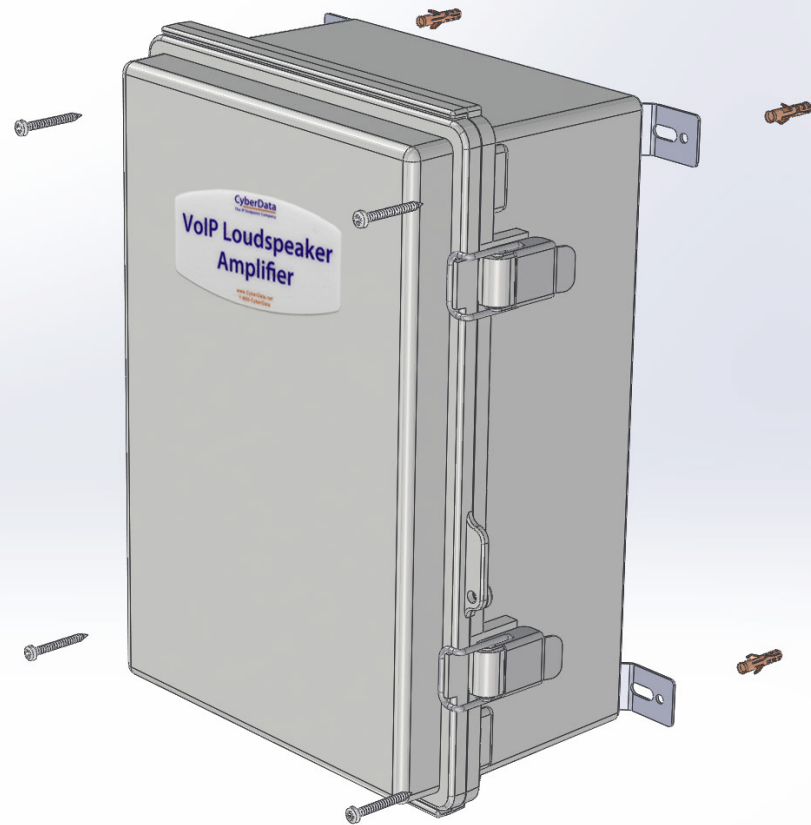


## Mounting the Enclosure

### To mount the enclosure:

1. Prepare holes for the screws.
2. Plug in the power adapter and use the **Power (PWR)** LED to verify that the power is on.
3. Plug the ethernet cable into the device. The **Link/Activity (Link/Act.)** LED verifies the network connection.
4. For wall mounting, use the three #8 x 1-1/4-inch Pan Head Phillips Self-Tapping Screws.



# Syn-Apps enabled Loudspeaker Amplifier (AC-Powered) 011412



Parameter	Factory Default Setting
IP Addressing	DHCP
IP Address <sup>a</sup>	10.10.10.10
Web Access Username	admin
Web Access Password	admin
Subnet Mask <sup>a</sup>	255.0.0.0
Default Gateway <sup>a</sup>	10.0.0.1

a. Default if there is not a DHCP server present.

## Getting Started

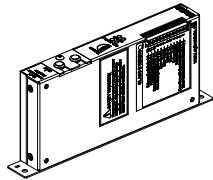
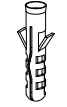
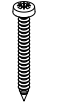
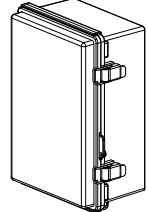
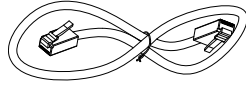
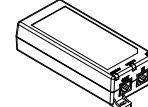

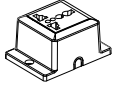
- Download the *Syn-Apps enabled Loudspeaker Amplifier Operations Guide* PDF file from the **Documents** tab at the following webpage: <https://www.cyberdata.net/products/011412>
- Create a plan for the locations of your paging amplifiers.
- **WARNING: This product should be installed by a licensed electrician according to all local electrical and building codes.**
- **WARNING: To prevent injury, this apparatus must be securely attached to the floor/wall in accordance with the installation instructions.**
- **WARNING: The PoE connector is intended for intra-building connections only and does not route to the outside plant.**
- **WARNING: The Syn-Apps enabled Loudspeaker Amplifier enclosure is not rated for any AC voltages!**

## Wiring the 125V AC Plug

The green wire with the yellow stripe is a ground connection for electrostatic discharge (ESD) protection, and should not be removed.

To wire the 125V AC plug, consult a licensed electrician and the local building codes in your area.

## Parts

(1) Assembly 	<b>(1) Wall Mounting Kit</b>	
	(4) #8 Plastic Anchors 	(4) #8 x 1-1/4" Pan Head Phillips Self-Tapping Screws 
(1) Enclosure 	<b>Additional Parts</b>	
	(1) CAT 5e/CAT6 cable 	(1) PoE Power Injector 
	(1) IEC Power Cord 	(1) Universal Receptacle 

## Contacting Syn-Apps

### Corporate Headquarters

Syn-Apps LLC  
2812 N Norwalk  
Suite 112  
Mesa, AZ 85215

Phone: 480-664-6071 / 866-664-6071  
Fax: 480-659-8999 / 866-659-8999

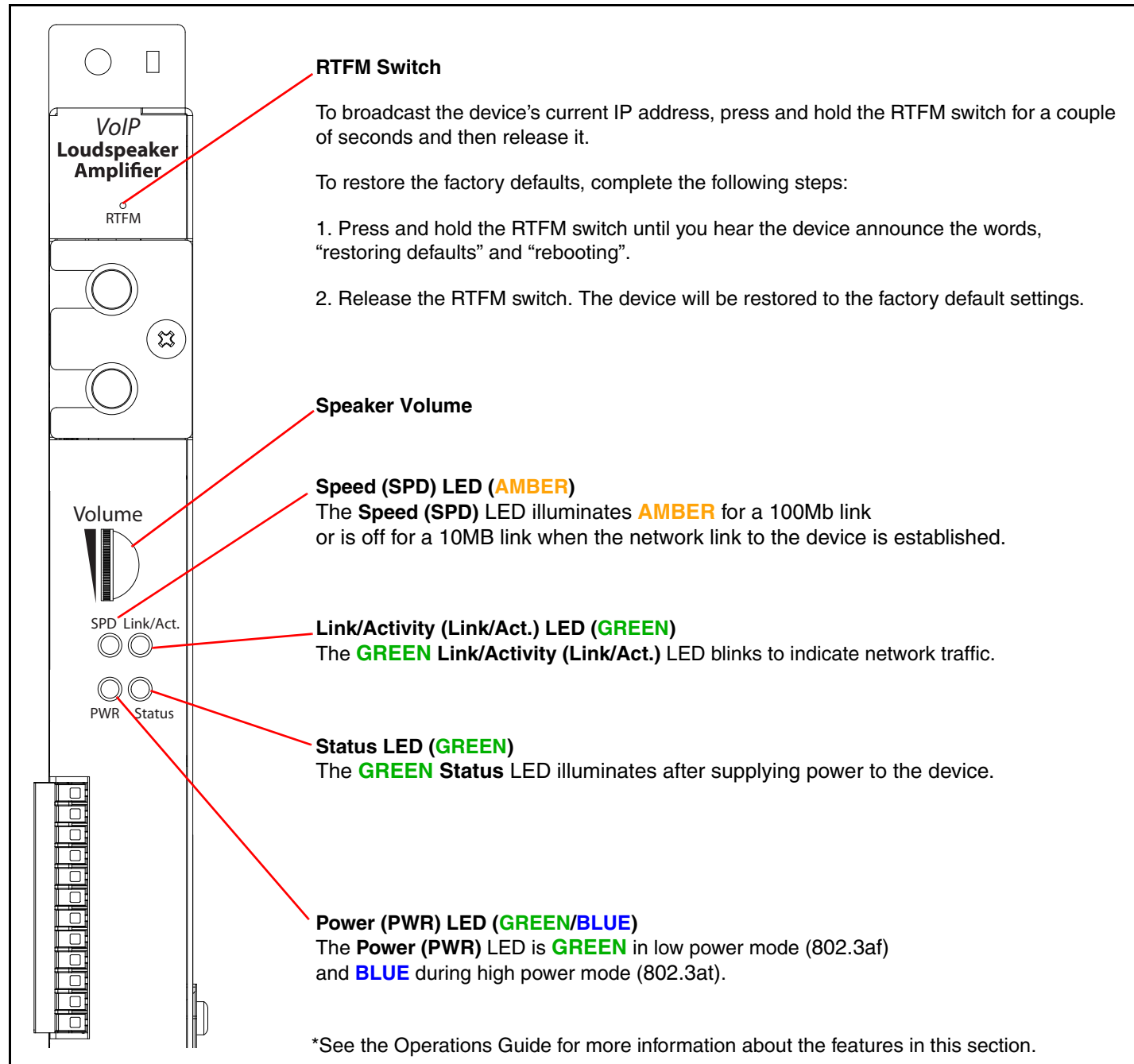
Website: [www.syn-apps.com](http://www.syn-apps.com)

Sales: [sales@syn-apps.net](mailto:sales@syn-apps.net)

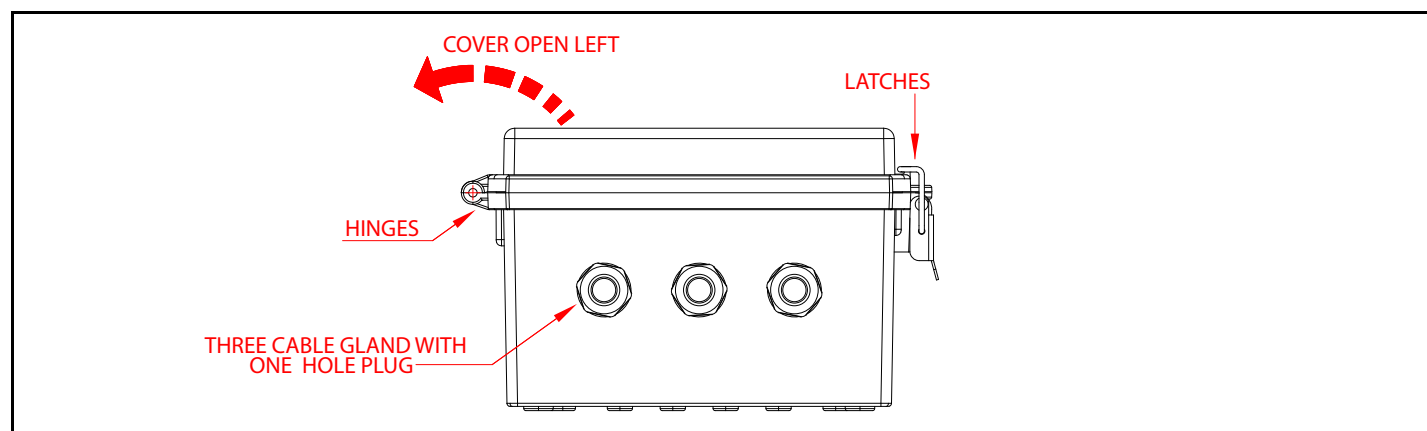
Support: <http://www.syn-apps.com/resources/support>

Email: <http://www.syn-apps.com/contact-us>

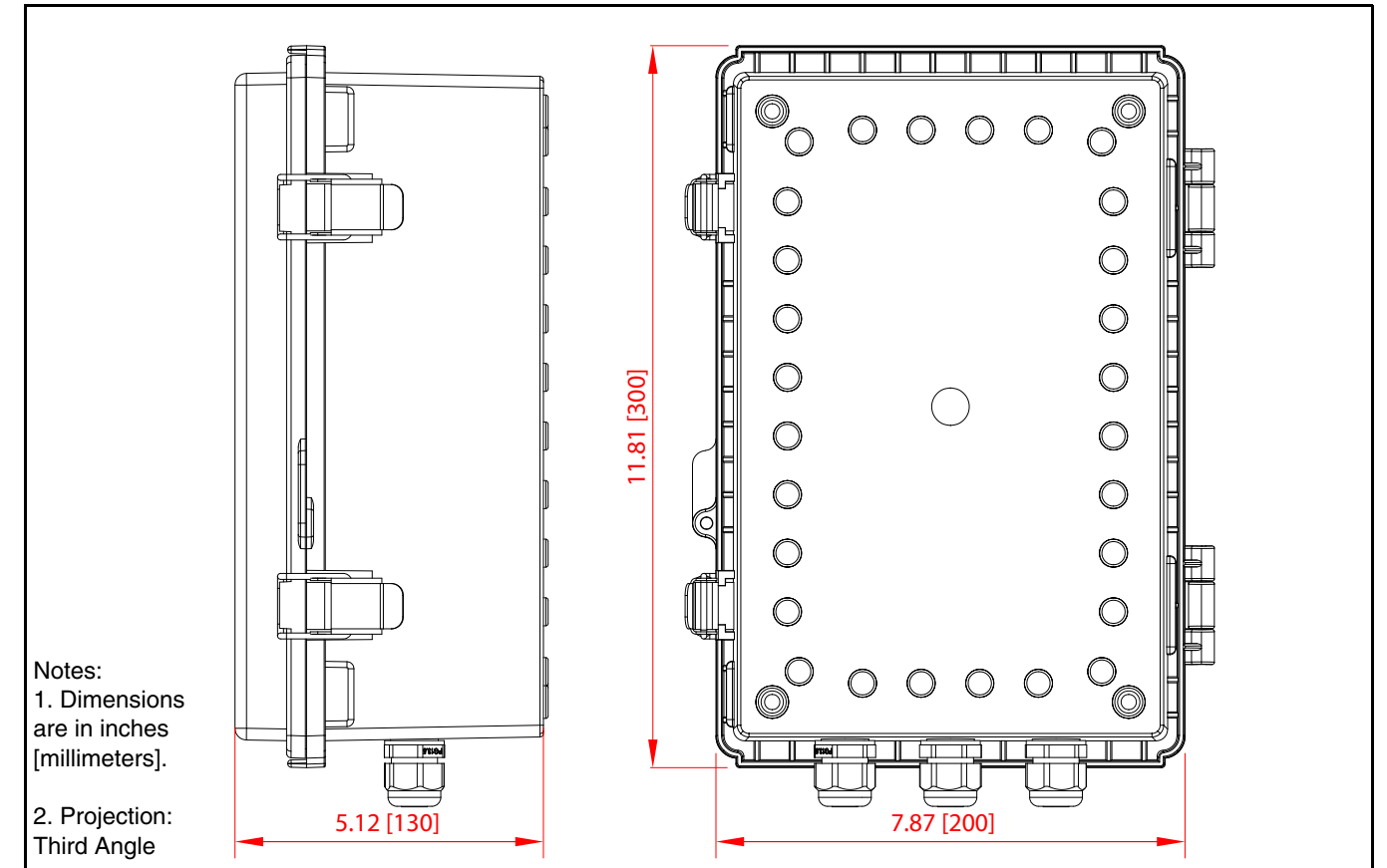
## Features



## Enclosure Features



## Dimensions



## Mounting Bracket

