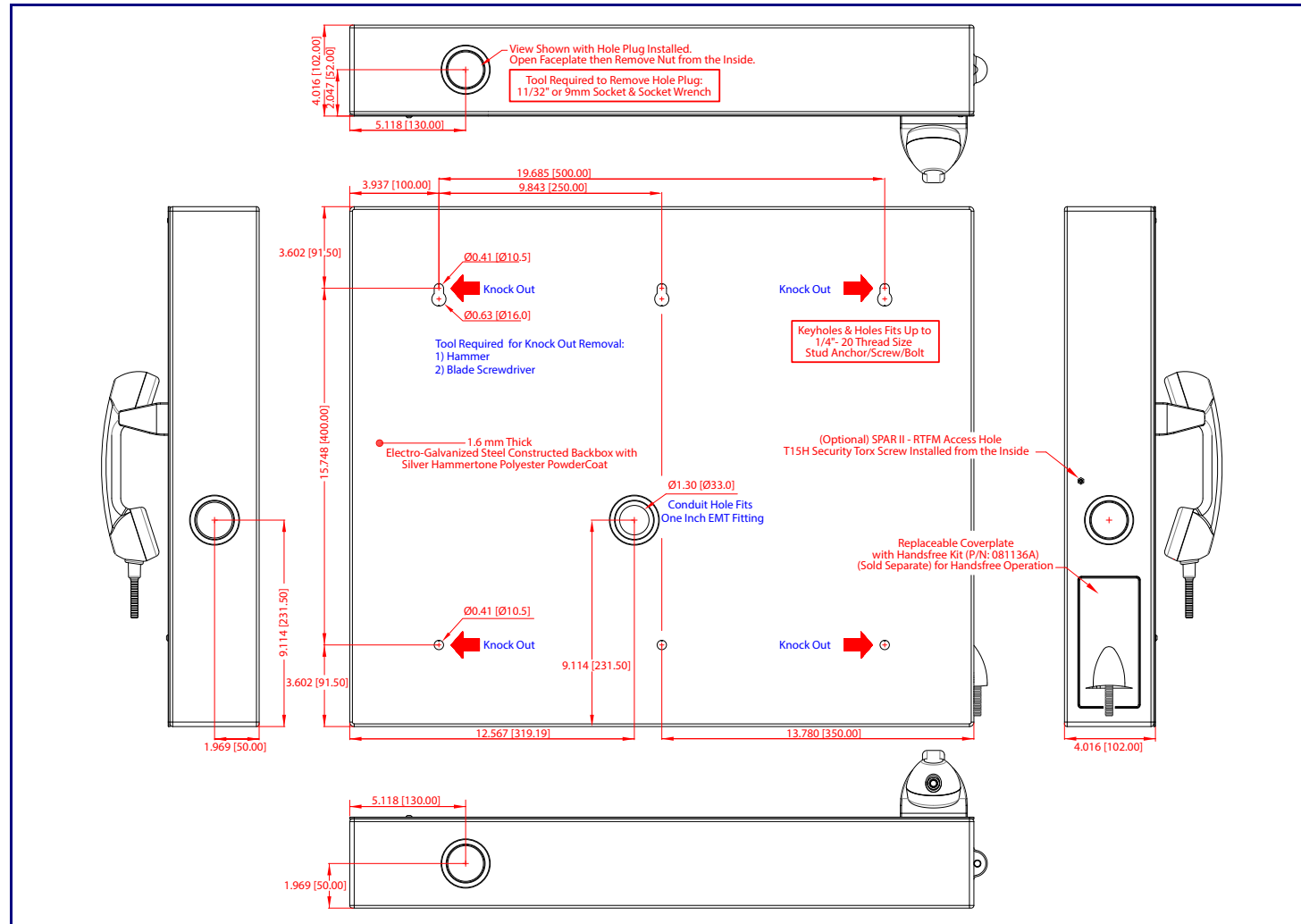
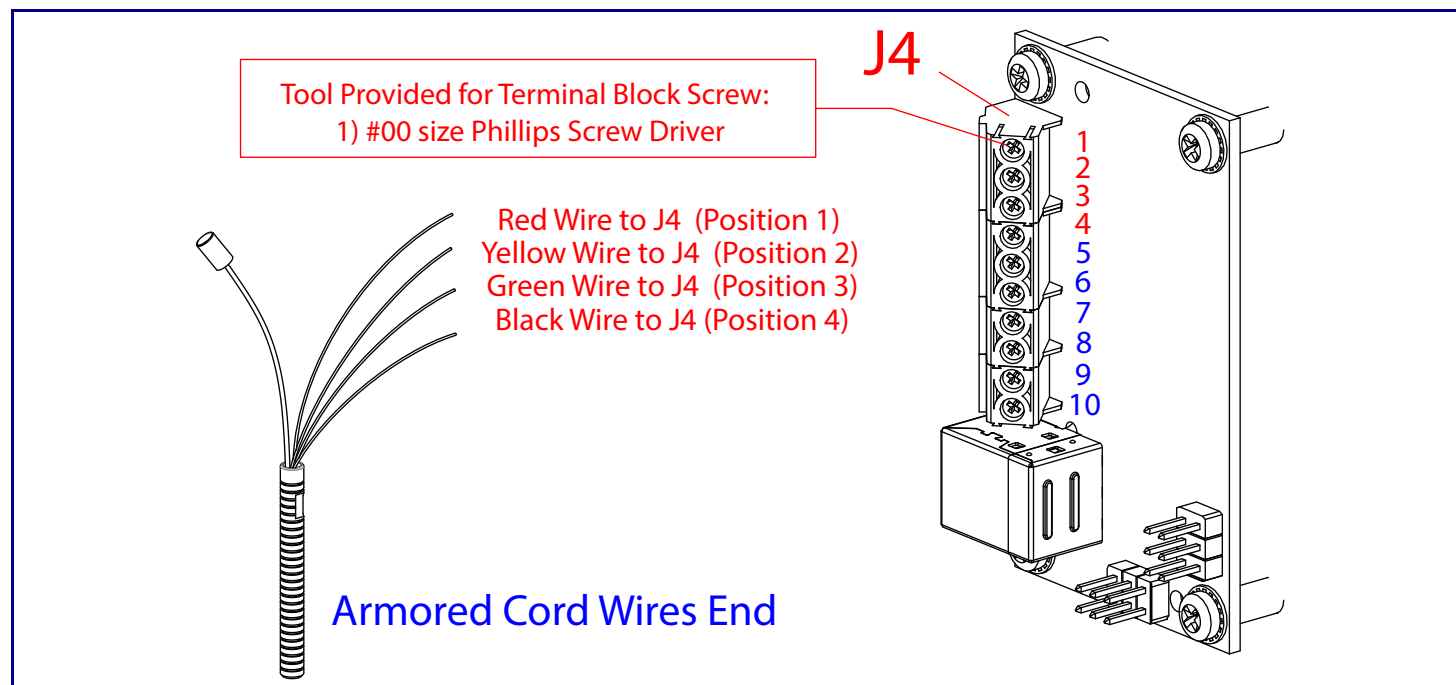


Backbox Mounting



Armored Cord Handset to USB to Analog Audio Module

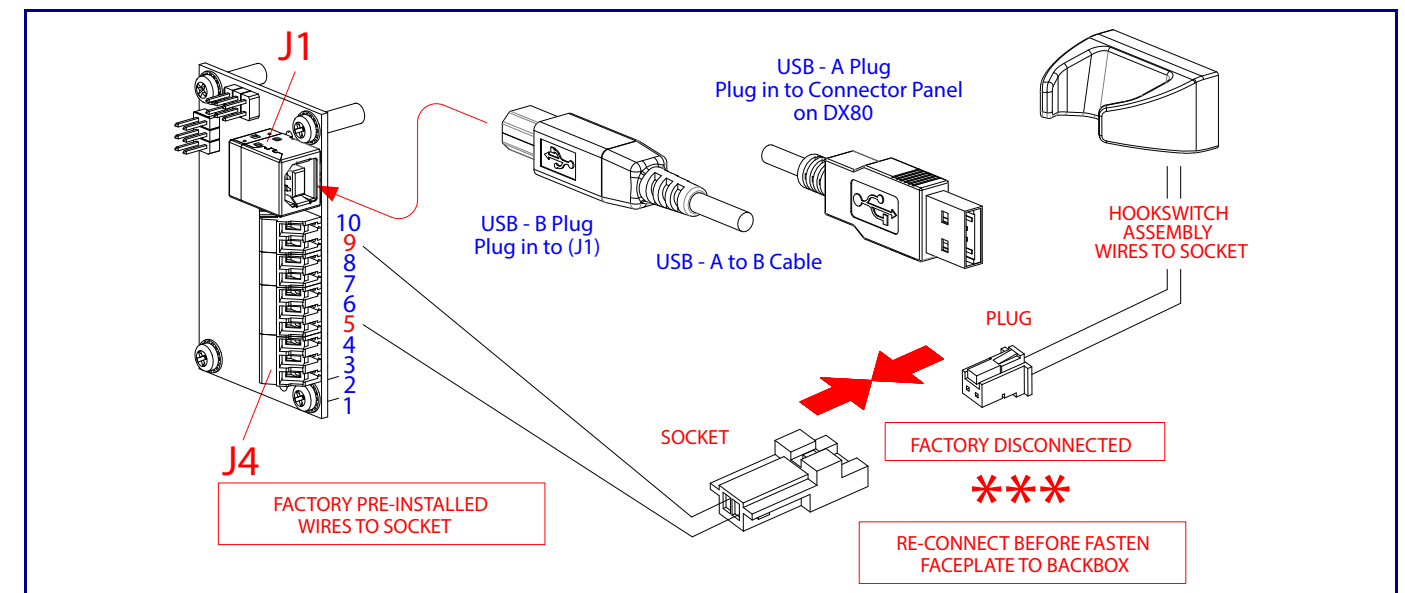


Getting Started

Take the following into consideration before you install this product:

- When this secure phone case is used, the touch screen capability of the DX phone is disabled.
- Due to the size and mass of this product, it is important that the Backbox is safely installed according to these installation instructions.
- Make sure that the type of wall is capable of supporting the system and use screws that are suitable for that type of wall.
- The system must be installed by qualified personnel in accordance with state and local building regulations.
- Also see the [Install the DX80 Phone to Enclosure](#) (on the other page).
- Locate the provided Security Torx Driver Bit (usually taped right next to the Hookswitch on the Faceplate).
- Tool required to remove Security Torx Screws (an Electric Hand Drill or Powered Screwdriver)
- **WARNING:** To prevent injury, this apparatus must be securely attached to the floor/wall in accordance with the installation instructions.
- **WARNING:** The PoE connector is intended for intra-building connections only and does not route to the outside plant.
- **WARNING:** This enclosure is not rated for any AC voltages!

Hookswitch Wires to USB to Analog Audio Module Connections



Contacting CyberData

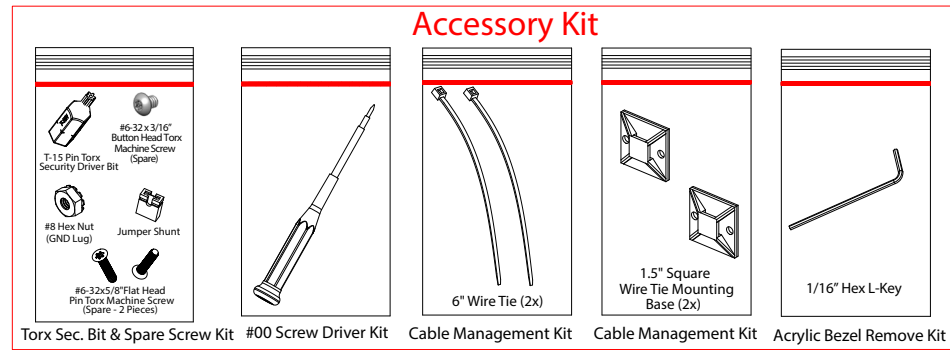
Corporate Headquarters

CyberData Corporation
3 Justin Court
Monterey, CA 93940, USA

Phone: 831-373-2601
Fax: 831-373-4193
<http://www.cyberdata.net/>

Sales: 831-373-2601 ext. 334
Support: 831-373-2601 ext. 333
Support Website: <http://support.cyberdata.net/>
RMA Department: 831-373-2601 ext. 136
RMA Email: RMA@CyberData.net
RMA Status: <http://support.cyberdata.net/>
Warranty Information: <http://support.cyberdata.net/>

Install the DX80 Phone to Enclosure



Phone Mounting Instruction:

- 1) Lift Connector Cover Up
- 2) Plug in All Necessary Cables, Cables Must be Placed Behind Strain Relief Bar
- 3) Place Foot Stand Behind Plate
- 4) Place Microphone on to Stand
- 5) Place Strain Relief Bar on Top of CLAMP Slightly Push Downward to Engage Locking

To Remove Phone from Backbox:

- 1) Lift Phone Up in Slow Motion then Disconnect All Cable from Connector Panel

