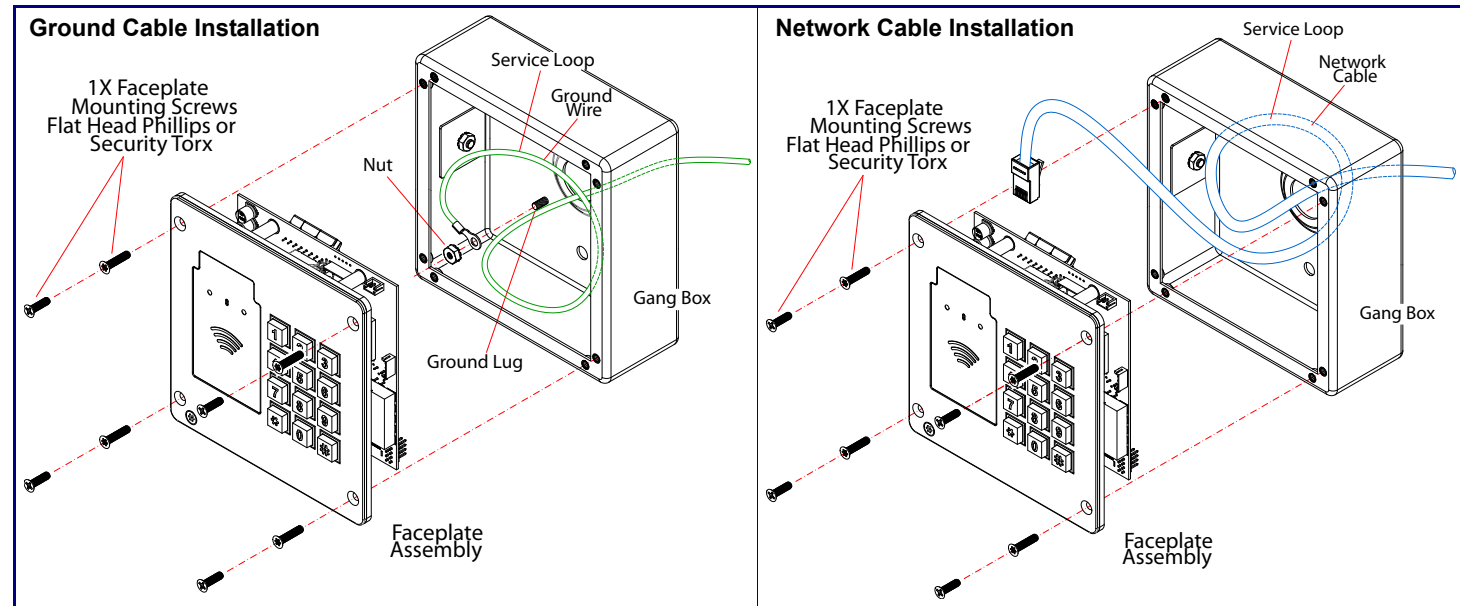


## Connecting the Intercom (Service Loop Routing)



## Securing the Intercom

**Caution**  
**Equipment Hazard:** Do not use an electric or power screwdriver to fasten the face plate and PCB assembly to the gang box. To prevent over-torque damage to the gasket, do not apply more than 10 inch-pounds force. Over-torquing will cause the gasket to tear, risk moisture intrusion, and effectively void the manufacturer's warranty.

**Note:** To mount the device, use methods compliant with local electrical codes.

**Note:** More installation and mounting information is illustrated in the Operations Guide.

**Note:** For flush mount installations, purchase the 011443 Flush Mount Kit, 1X (sold separately). For more information, go to: <http://www.cyberdata.net/voip/011443/>

## Contacting CyberData

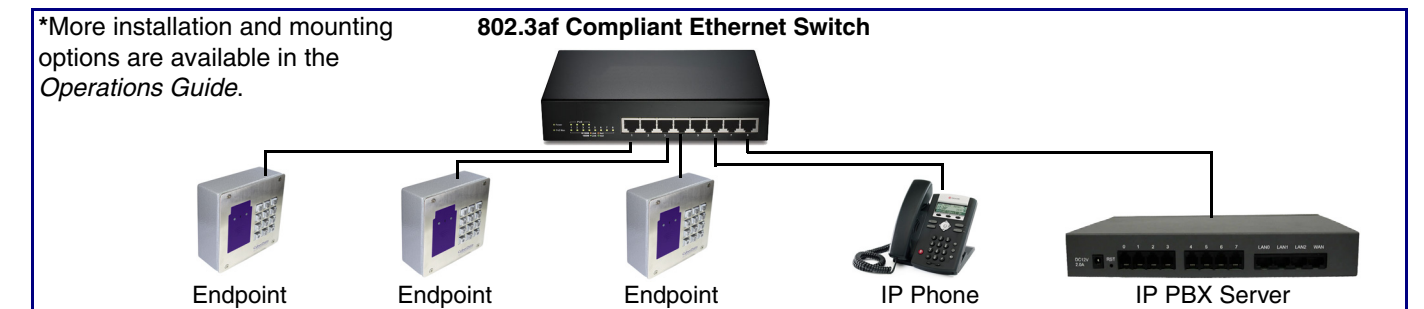
<b>Corporate Headquarters</b>	
CyberData Corporation 3 Justin Court Monterey, CA 93940, USA  Phone: 831-373-2601 Fax: 831-373-4193 <a href="http://www.cyberdata.net/">http://www.cyberdata.net/</a>	Sales: (831) 373-2601 ext. 334 Support: 831-373-2601 ext. 333 Support Website: <a href="http://support.cyberdata.net/">http://support.cyberdata.net/</a> RMA Department: (831) 373-2601 ext. 136 RMA Email: RMA@CyberData.net RMA Status: <a href="http://support.cyberdata.net/">http://support.cyberdata.net/</a> Warranty Information: <a href="http://support.cyberdata.net/">http://support.cyberdata.net/</a>



Parameter	Factory Default Setting
IP Addressing	DHCP
IP Address <sup>a</sup>	10.10.10.10
Web Access Username	admin
Web Access Password	admin
Subnet Mask <sup>a</sup>	255.0.0.0
Default Gateway <sup>a</sup>	10.0.0.1

a. Default if there is not a DHCP server present.

## Typical System Installation



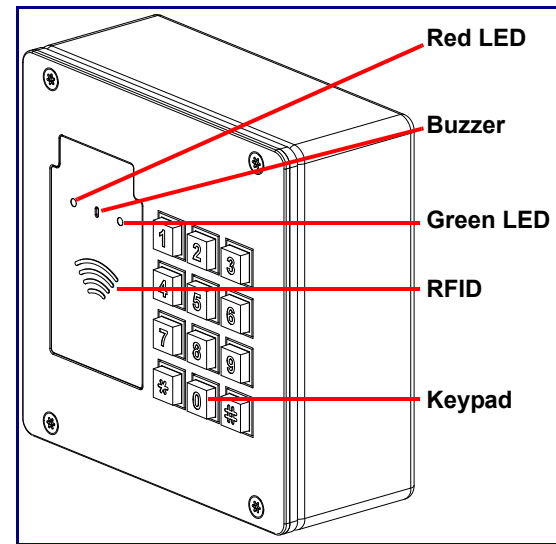
## Getting Started

- Download the *Operations Guide* PDF file, from the **Downloads** tab at the following webpage:  
<http://www.cyberdata.net/voip/011426>
- Create a plan for the locations of your Intercoms.
- **WARNING:** This product should be installed by a licensed electrician according to all local electrical and building codes.
- **WARNING:** To prevent injury, this apparatus must be securely attached to the floor/wall in accordance with the installation instructions.
- **WARNING:** The PoE connector is intended for intra-building connections only and does not route to the outside plant.
- **WARNING:** This enclosure is not rated for any AC voltages!

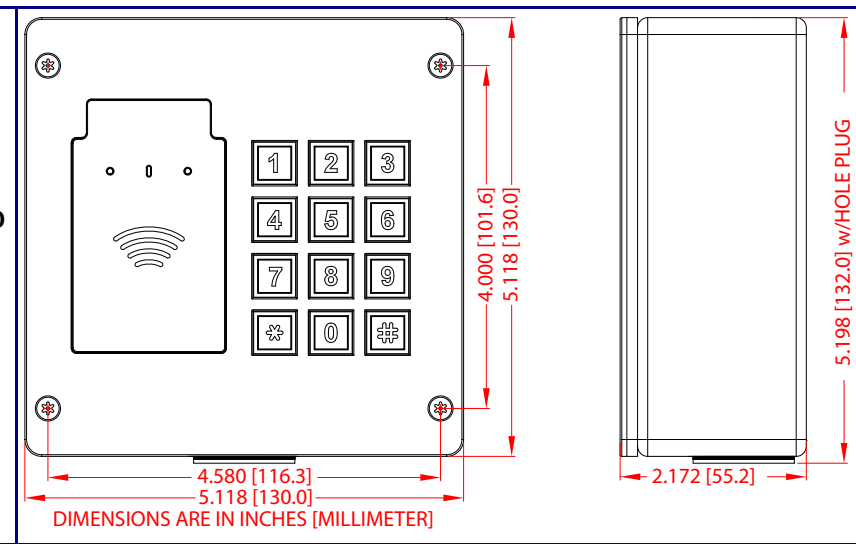
## Parts

(1) SIP RFID/Keypad Secure Access Control  	(1) T-15H Torx Key    (4) Security Torx Screw  	<b>Optional Accessories (for gooseneck mounting)</b> (4) Carriage bolt nuts  (4) Carriage bolts  (4) Carriage bolt washers 	<b>Optional Accessories</b> (1) Spacer for half-inch set conduit connector   (1) Hole plug assembly 
---	---	---	---

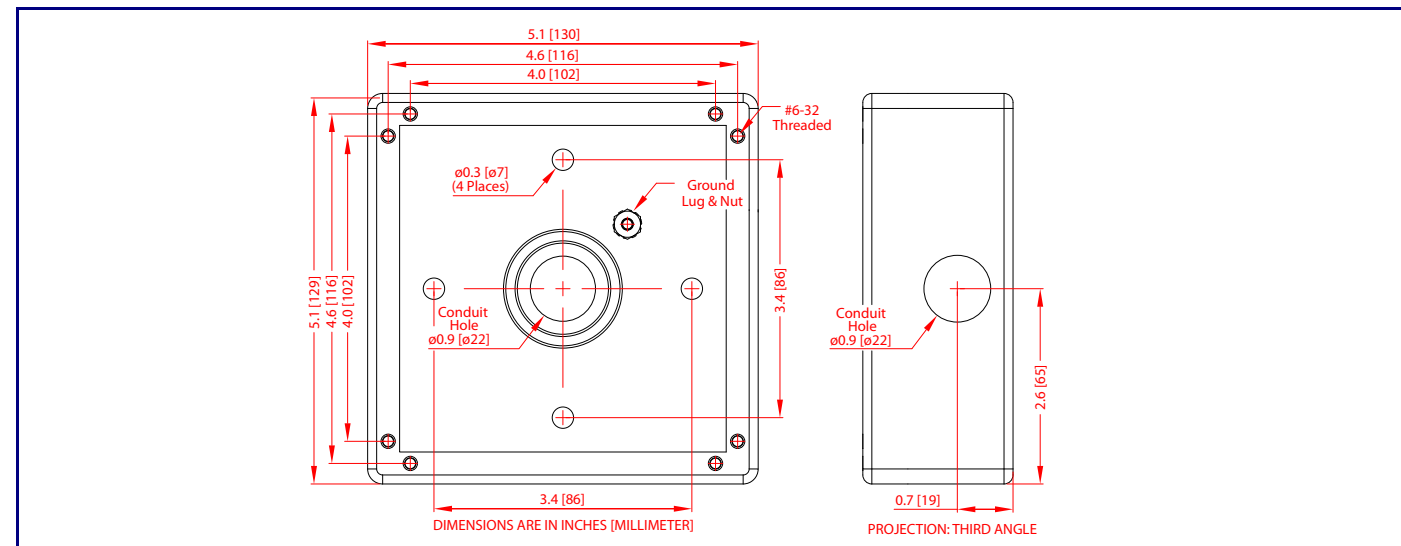
## Features



## Dimensions (Front and Side View)

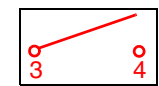


## Dimensions (Rear View and Mounting Holes)



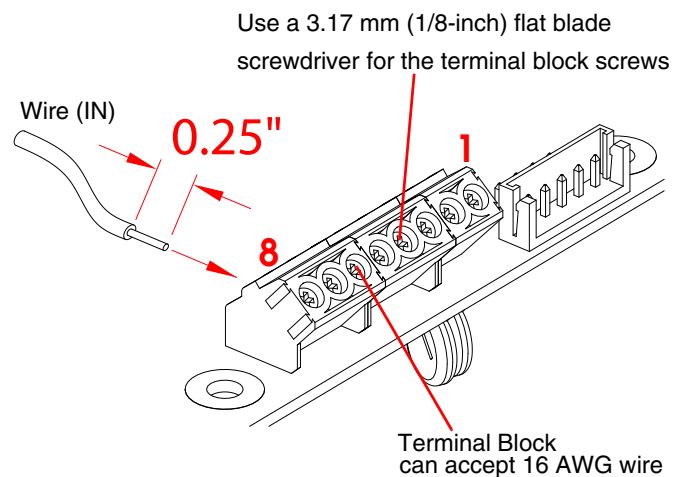
## Terminal Block Connections

Alternate Power Input:  
 1 = +8 to +12VDC @ 1000mA Regulated Power Supply\*  
 2 = Power Ground\*

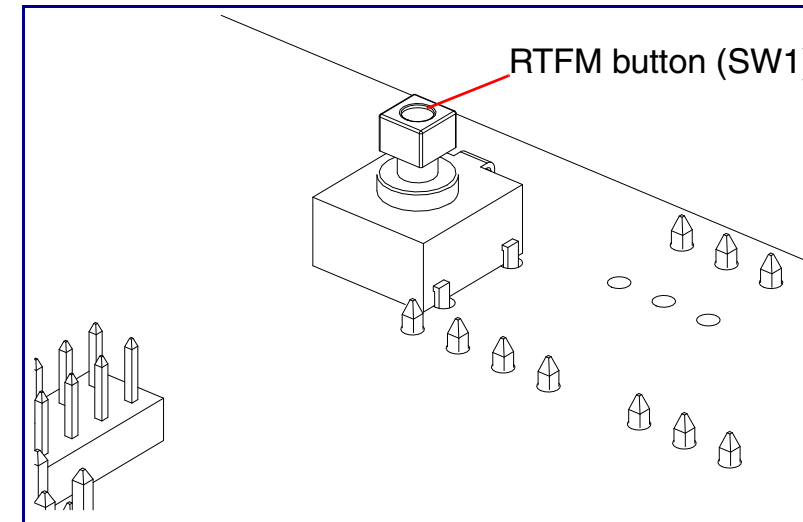


Relay Contact:  
 (1 A at 30 VDC for continuous loads)  
 3 = Relay Common  
 4 = Relay Normally Open Contact  
 5 = Sense Input  
 6 = Sense Ground  
 7 = Remote Switch "A"  
 8 = Remote Switch "B"

\*Contacts 1 and 2 on the terminal block are only for powering the device from a non-PoE 12VDC power source as an alternative to Network PoE power. Use of these contacts for any other purpose will damage the device and void the product warranty.



## RTFM Button



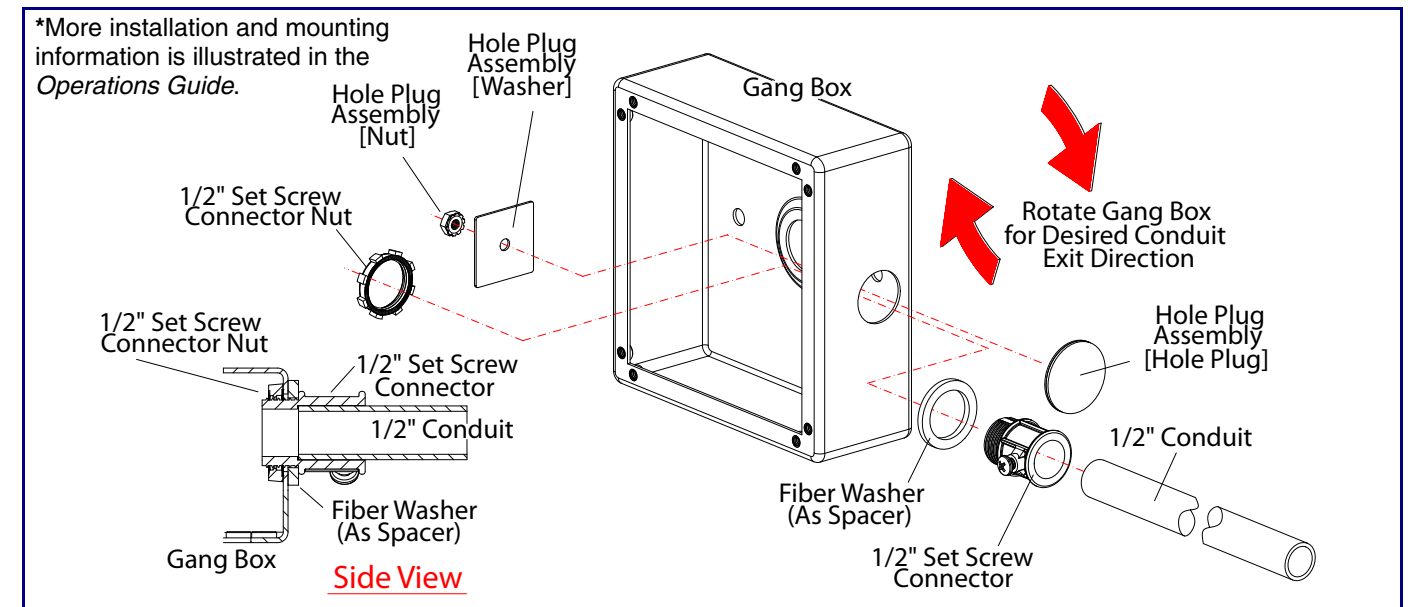
When the device is operational and linked to a network, you can use the Reset Test Function Management (RTFM) button (SW1 [see picture]) to restore the device to the factory default settings.

To restore the device to factory default settings:

- Press and hold the RTFM button for longer than five seconds.

**Note** The device will use DHCP to obtain the new IP address (DHCP-assigned address or default to 10.10.10.10 if a DHCP server is not present).

## Conduit Mounting (Side Entry)



## Optional Gooseneck Mounting

