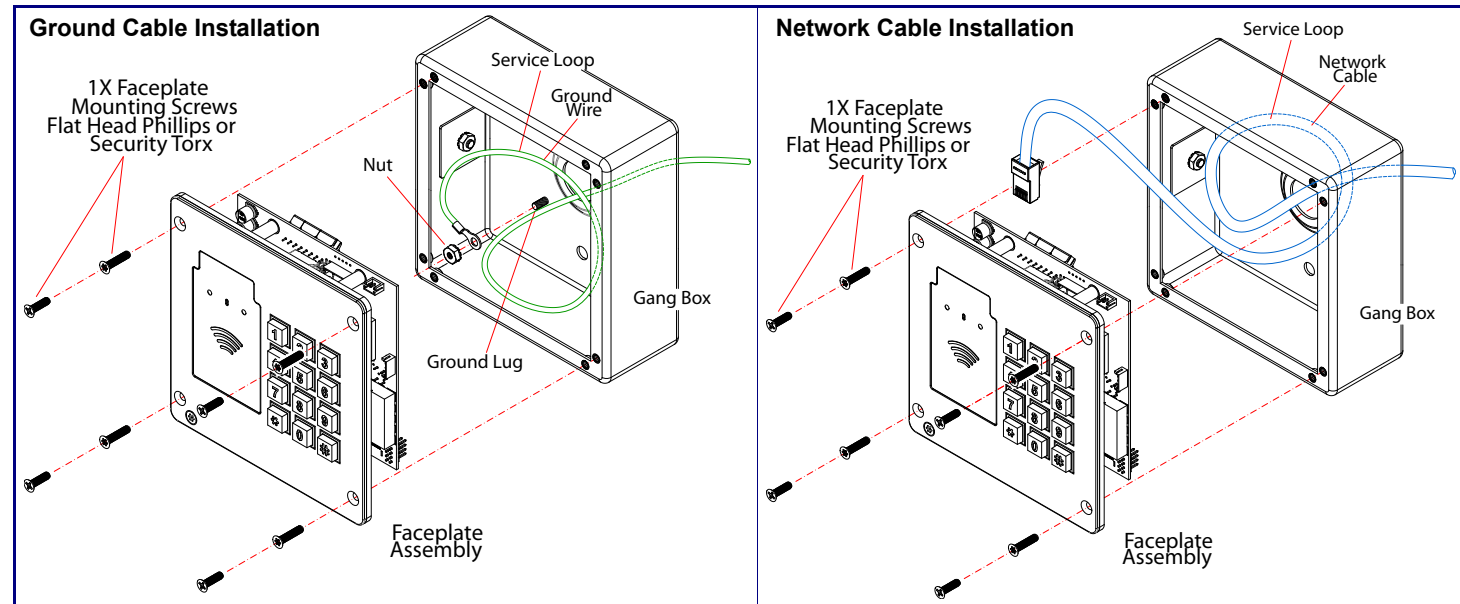


Connecting the Intercom (Service Loop Routing)



Securing the Intercom

Caution
Equipment Hazard: Do not use an electric or power screwdriver to fasten the face plate and PCB assembly to the gang box. To prevent over-torque damage to the gasket, do not apply more than 10 inch-pounds force. Over-torquing will cause the gasket to tear, risk moisture intrusion, and effectively void the manufacturer's warranty.

Note: To mount the device, use methods compliant with local electrical codes.

Note: More installation and mounting information is illustrated in the Operations Guide.

Note: For flush mount installations, purchase the 011443 Flush Mount Kit, 1X (sold separately). For more information, go to: <http://www.cyberdata.net/voip/011443/>

Contacting CyberData

Corporate Headquarters

CyberData Corporation
3 Justin Court
Monterey, CA 93940, USA

Phone: 831-373-2601
Fax: 831-373-4193
<http://www.cyberdata.net/>

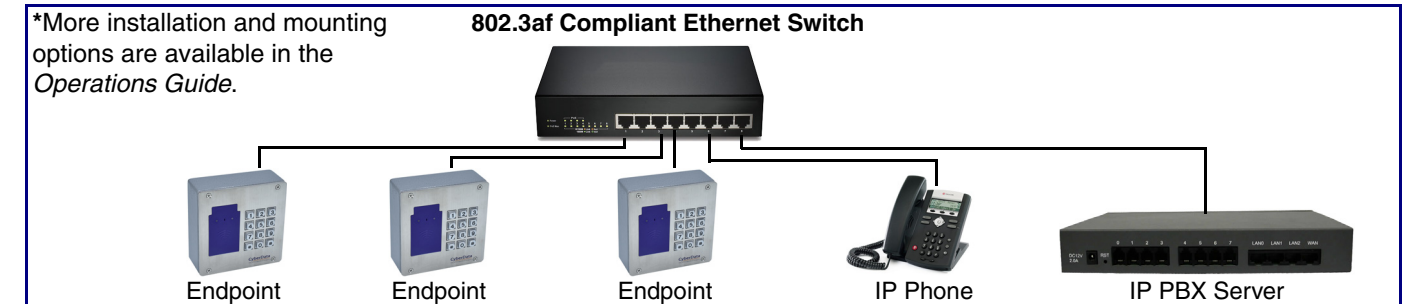
Sales: (831) 373-2601 ext. 334
Support: 831-373-2601 ext. 333
Support Website: <http://support.cyberdata.net/>
RMA Department: (831) 373-2601 ext. 136
RMA Email: RMA@CyberData.net
RMA Status: <http://support.cyberdata.net/>
Warranty Information: <http://support.cyberdata.net/>



Parameter	Factory Default Setting
IP Addressing	DHCP
IP Address ^a	10.10.10.10
Web Access Username	admin
Web Access Password	admin
Subnet Mask ^a	255.0.0.0
Default Gateway ^a	10.0.0.1

a. Default if there is not a DHCP server present.

Typical System Installation



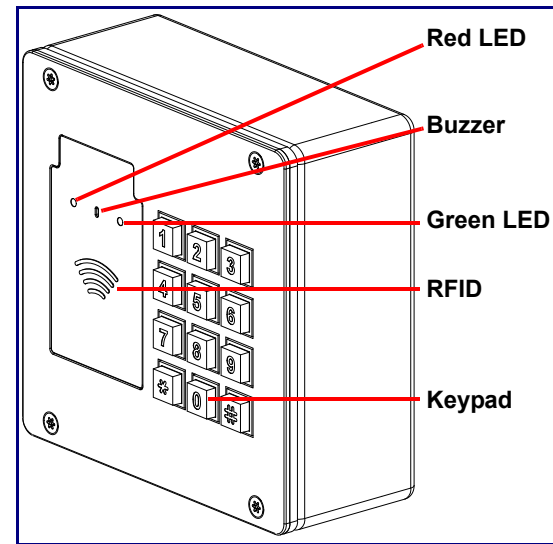
Getting Started

- Download the *Operations Guide* PDF file, from the **Downloads** tab at the following webpage: <https://www.cyberdata.net/products/011426>
- Create a plan for the locations of your Intercoms.
- **WARNING:** This product should be installed by a licensed electrician according to all local electrical and building codes.
- **WARNING:** To prevent injury, this apparatus must be securely attached to the floor/wall in accordance with the installation instructions.
- **WARNING:** The PoE connector is intended for intra-building connections only and does not route to the outside plant.
- **WARNING:** This enclosure is not rated for any AC voltages!

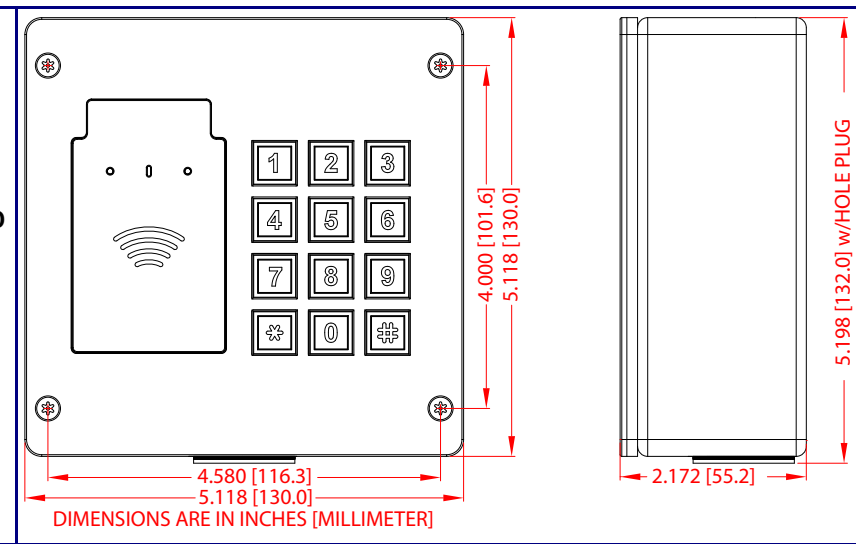
Parts

<p>(1) Assembly</p>	<p>Optional Accessories (for gooseneck mounting)</p> <ul style="list-style-type: none"> (4) Carriage bolt nuts (4) Carriage bolts (4) Carriage bolt washers 	<p>Accessory Kit</p> <p>Mounting Component Security Torx Key</p> <p>(4) Security Torx Screws</p>	<p>Optional Accessories</p> <p>(1) 1/2-inch EMT compression connector with extra sealing locknut</p>	<p>(1) 531085* Hole plug assembly</p>
----------------------------	---	---	---	---------------------------------------

Features

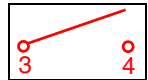


Dimensions (Front and Side View)



Terminal Block Connections

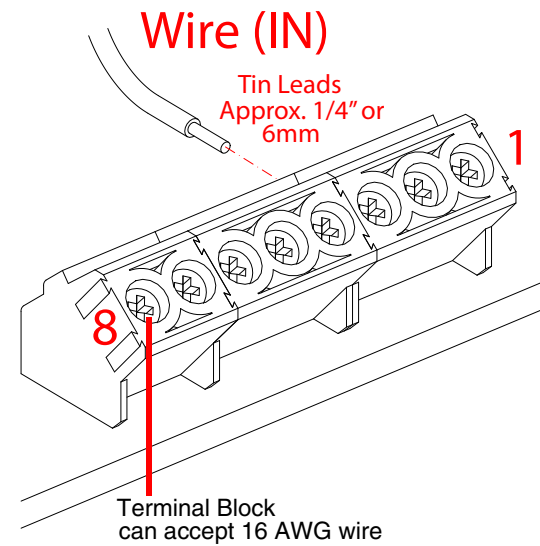
Alternate Power Input:
1 = +8 to +12VDC @ 1000mA Regulated Power Supply*
2 = Power Ground*



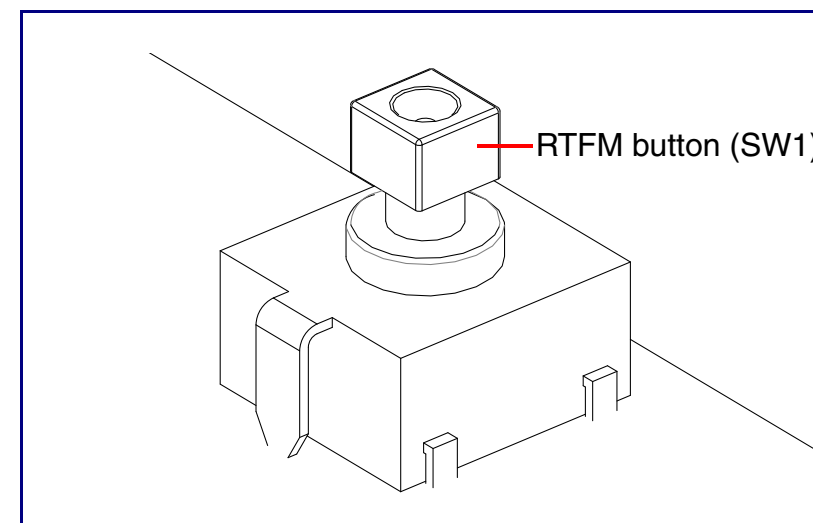
Relay Contact:
(1 A at 30 VDC for continuous loads)
3 = Relay Common
4 = Relay Normally Open Contact
5 = Sense Input
6 = Sense Ground
7 = Remote Switch "A"
8 = Remote Switch "B"

*Contacts 1 and 2 on the terminal block are only for powering the device from a non-PoE 12VDC power source as an alternative to Network PoE power. Use of these contacts for any other purpose will damage the device and void the product warranty.

Use a 3.17 mm (1/8-inch) flat blade screwdriver for the terminal block screws



RTFM Button



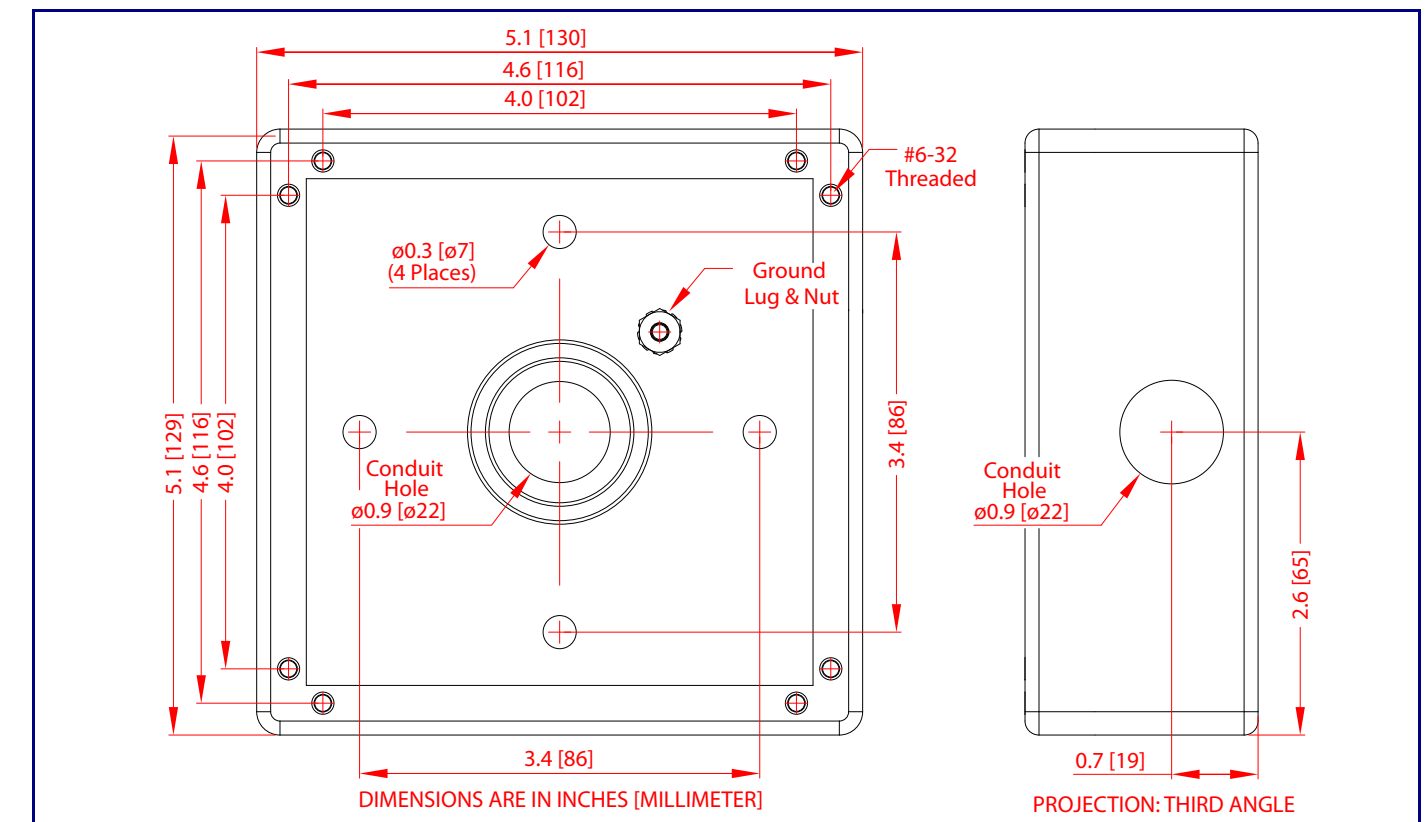
When the device is operational and linked to a network, you can use the Reset Test Function Management (RTFM) button (SW1 [see picture]) to restore the device to the factory default settings.

To restore the device to factory default settings:

- Press and hold the RTFM button for longer than five seconds.

Note The device will use DHCP to obtain the new IP address (DHCP-assigned address or default to 10.10.10.10 if a DHCP server is not present).

Dimensions (Rear View and Mounting Holes)



Side Conduit Mounting Restrictions

