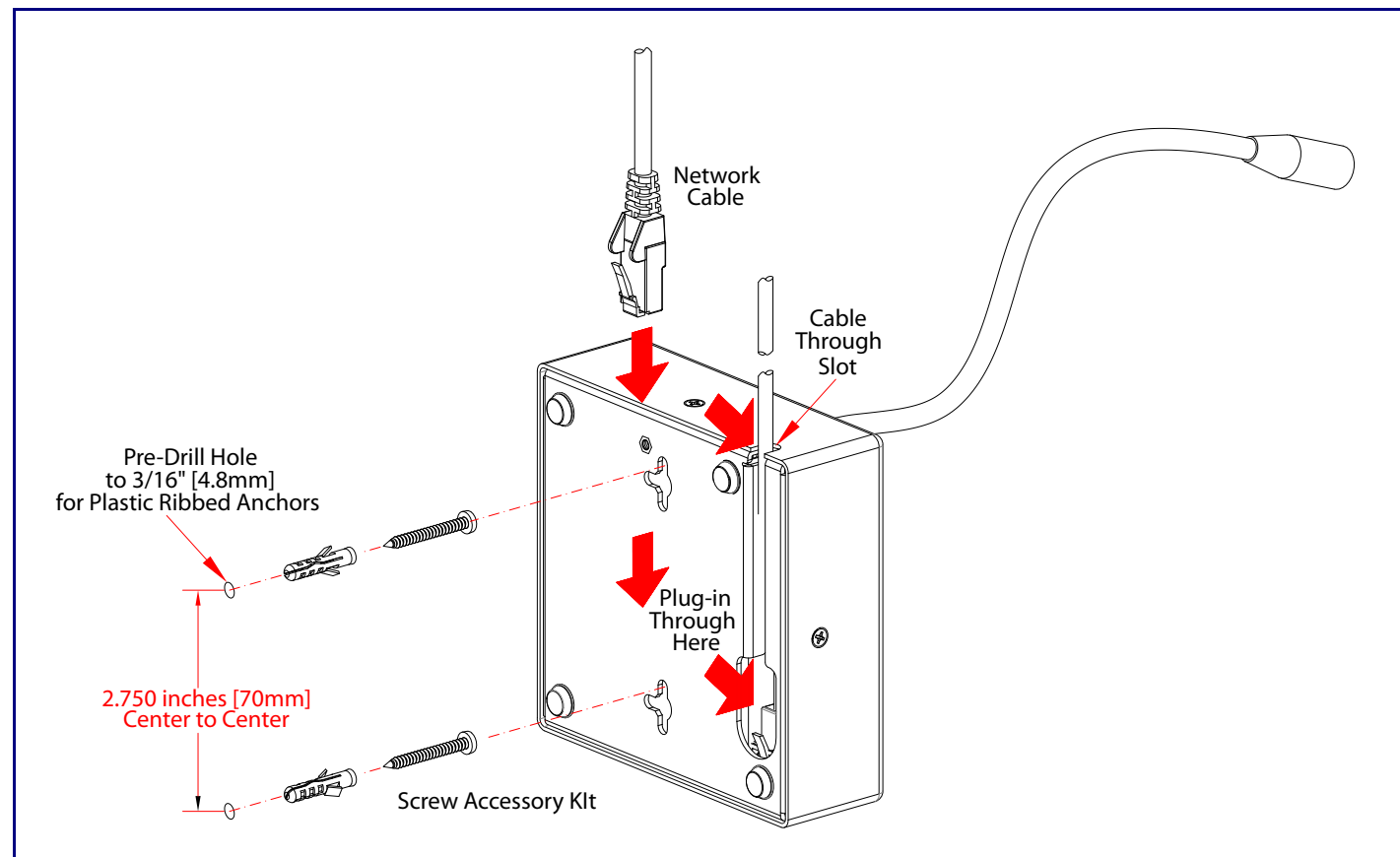


Wall Mounting Options



Installation Quick Reference  
**Multicast VoIP Microphone**  
SIP Compliant  
**011446**



Parameter	Factory Default Setting
IP Addressing	DHCP
IP Address <sup>a</sup>	10.10.10.10
Web Access Username	admin
Web Access Password	admin
Subnet Mask <sup>a</sup>	255.0.0.0
Default Gateway <sup>a</sup>	10.0.0.1

a. Default if there is not a DHCP server present.

Getting Started

- Download the *Multicast VoIP Microphone Operations Guide* PDF file, from the product page at: <http://www.cyberdata.net/voip/011446/>
- Create a plan for the locations of your Multicast VoIP Microphones.
- **WARNING:** This product should be installed by a licensed electrician according to all local electrical and building codes.
- **WARNING:** To prevent injury, this apparatus must be securely attached to the floor/wall in accordance with the installation instructions.
- **WARNING:** The PoE connector is intended for intra-building connections only and does not route to the outside plant.
- **WARNING:** This enclosure is not rated for any AC voltages!

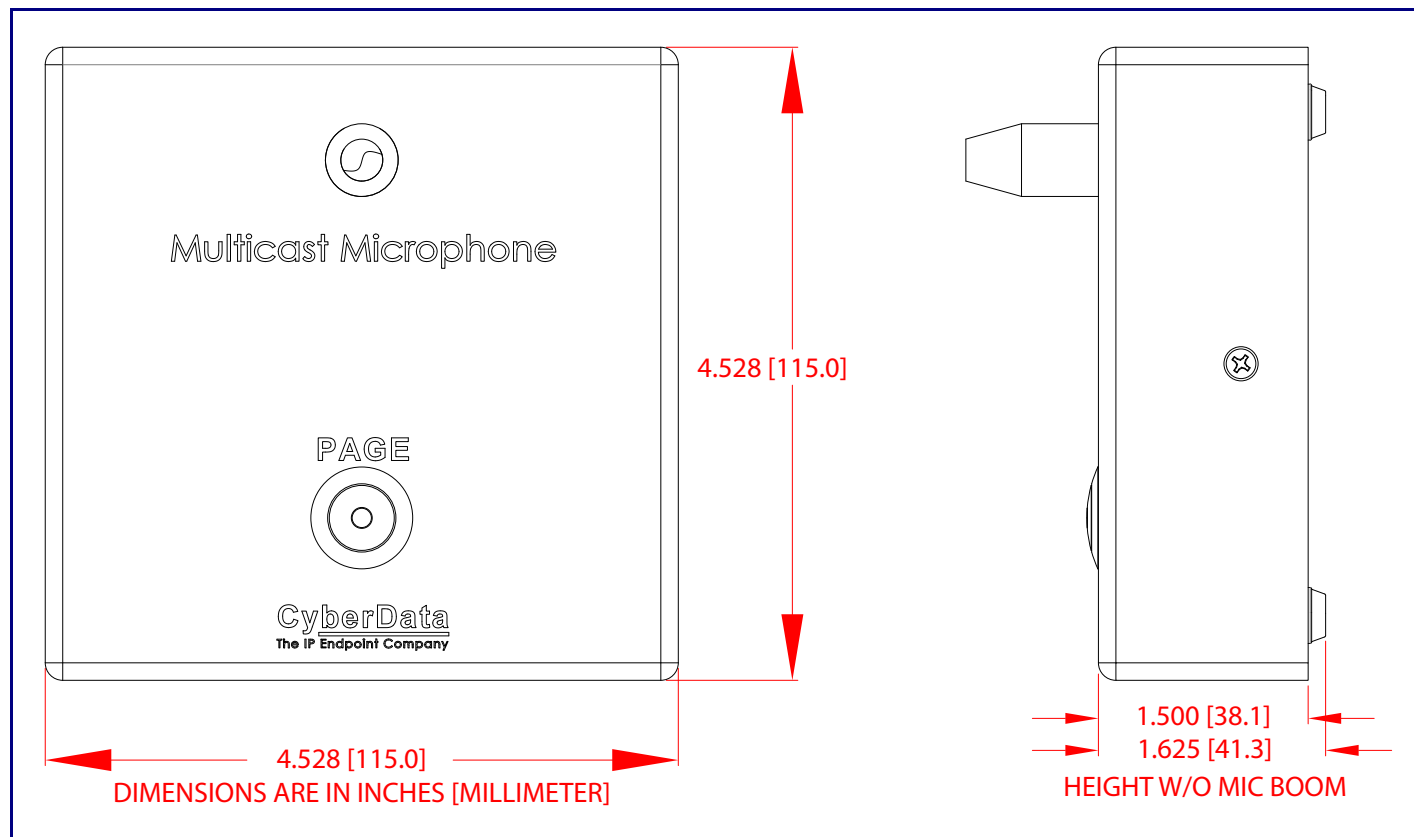
Parts

(1) Multicast VoIP Microphone	(1) Wall Mounting Kit
	(2) #6 x 1.25 inches Sheet Metal Screw (2) #6 Ribbed Plastic Anchor

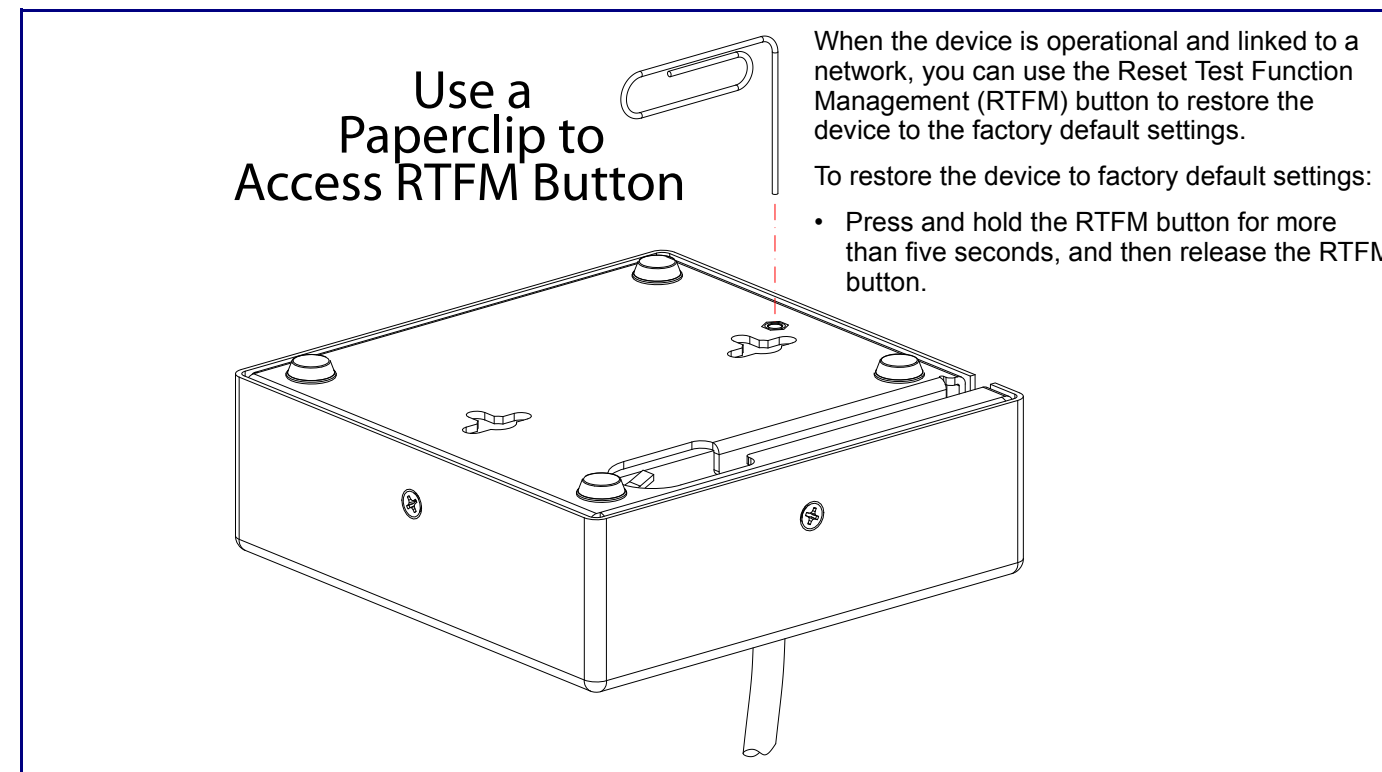
Contacting CyberData

Corporate Headquarters	
CyberData Corporation 3 Justin Court Monterey, CA 93940, USA  Phone: 831-373-2601 Fax: 831-373-4193 <a href="http://www.cyberdata.net/">http://www.cyberdata.net/</a>	Sales: (831) 373-2601 ext. 334 Support: 831-373-2601 ext. 333 Support Website: <a href="http://support.cyberdata.net/">http://support.cyberdata.net/</a> RMA Department: (831) 373-2601 ext. 136 RMA Email: <a href="mailto:RMA@CyberData.net">RMA@CyberData.net</a> RMA Status: <a href="http://support.cyberdata.net/">http://support.cyberdata.net/</a> Warranty Information: <a href="http://support.cyberdata.net/">http://support.cyberdata.net/</a>

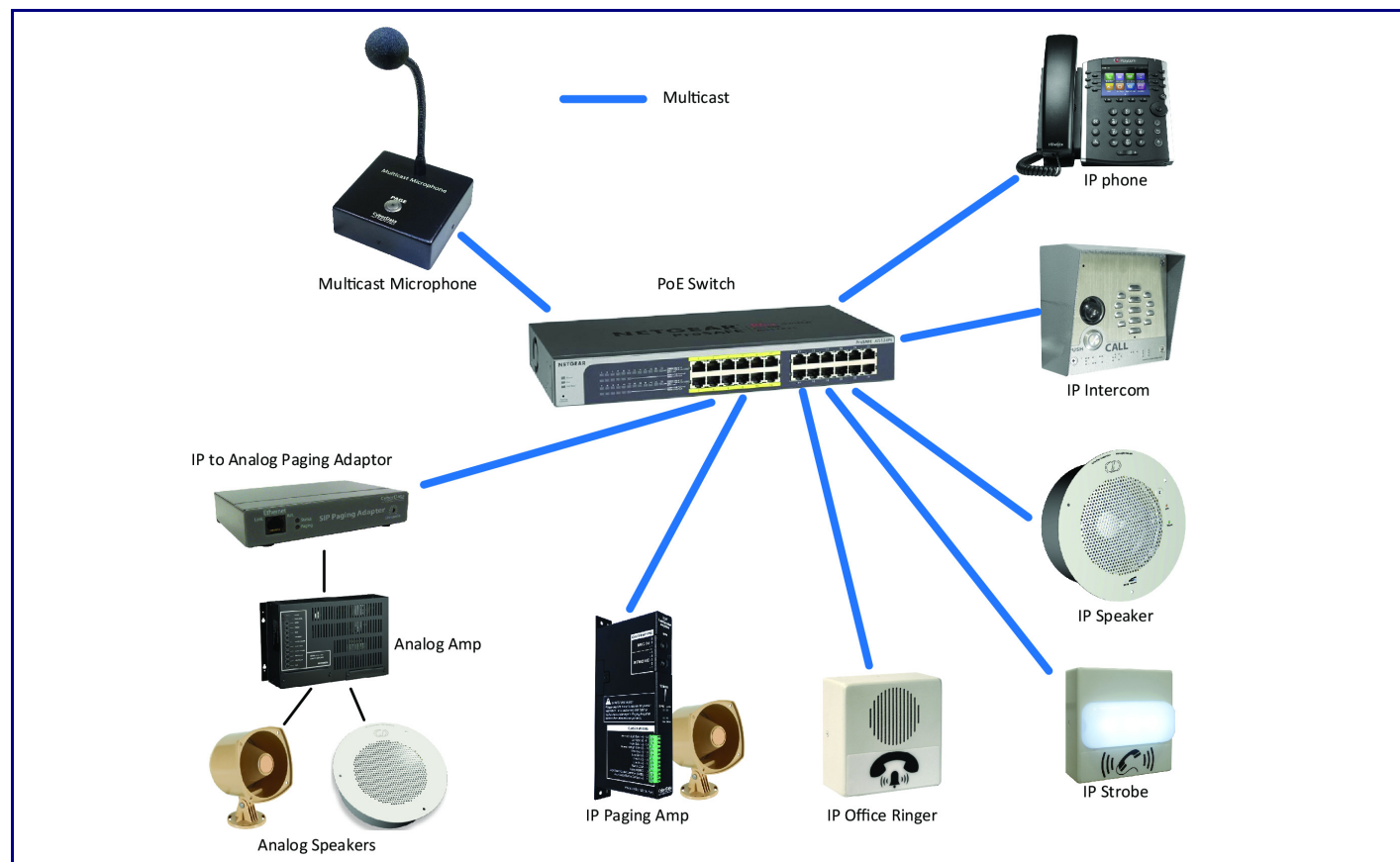
## Dimensions



## RTFM Button



## Paging to Multicast Enabled Endpoints



## Connecting the Network Cable

