

**RTFM Access**

The RTFM switch access will be on the top side of the horn hidden under a screw that will be used to keep the unit secured. To access the RTFM, complete the following steps:

1. Remove the screw to gain access to the RTFM button (see the figure below).
2. Use a paper clip to feed through the hole to press the RTFM button (see the figure below).

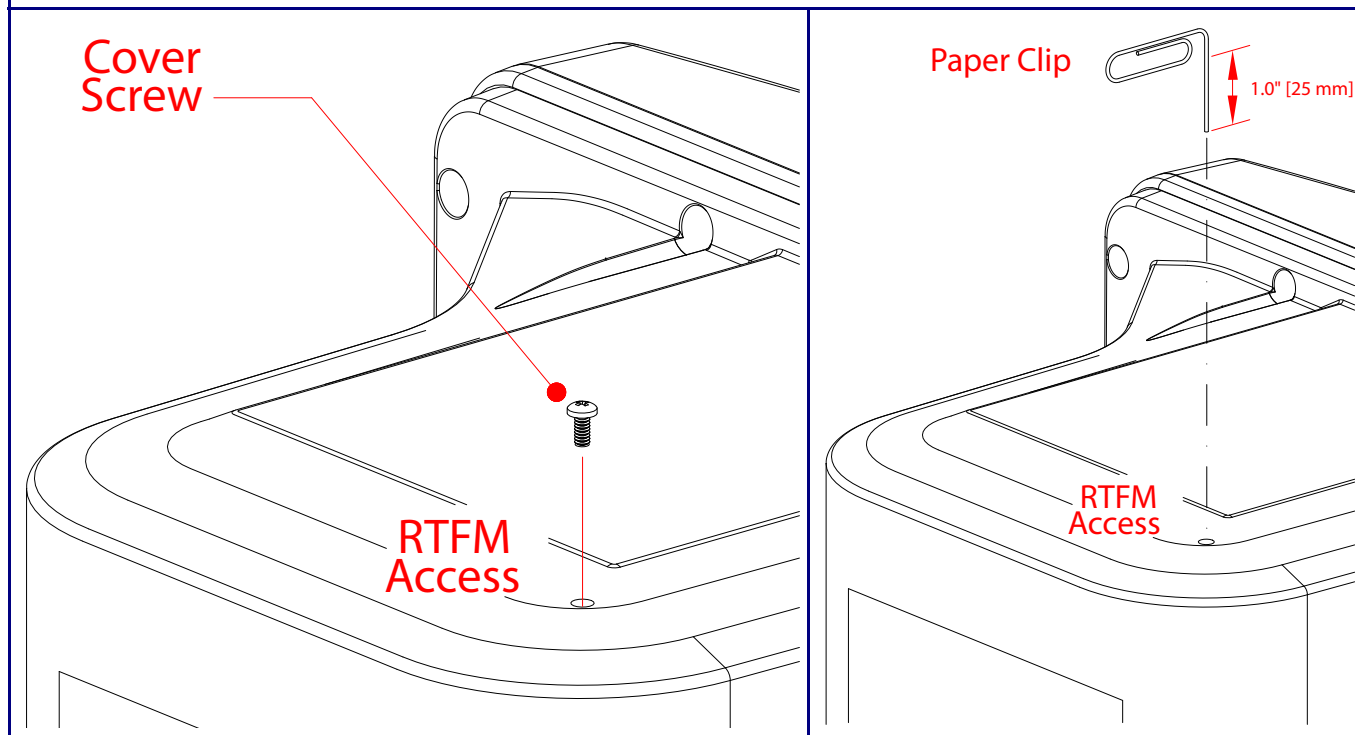
**Announce the IP Address**

To broadcast the device's current IP address, press and hold the RTFM switch for a couple of seconds and then release it.

**Restore the Factory Default Settings**

To restore the factory defaults, complete the following steps:

1. Press and hold the RTFM switch until you hear the device announce the words, "restoring defaults" and "rebooting".
2. Release the RTFM switch. The device will be restored to the factory default settings.



## Contacting CyberData

## Corporate Headquarters

CyberData Corporation  
3 Justin Court  
Monterey, CA 93940, USA

Phone: 831-373-2601  
Fax: 831-373-4193  
<http://www.cyberdata.net/>

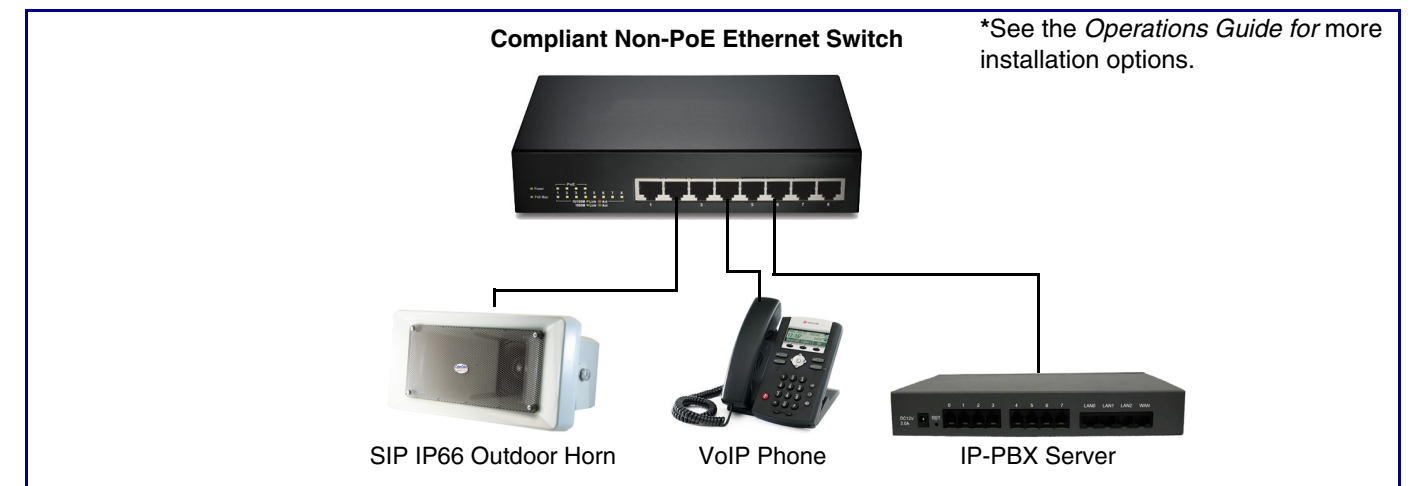
Sales: (831) 373-2601 ext. 334  
Support: 831-373-2601 ext. 333  
Support Website: <http://support.cyberdata.net/>  
RMA Department: (831) 373-2601 ext. 136  
RMA Email: [RMA@CyberData.net](mailto:RMA@CyberData.net)  
RMA Status: <http://support.cyberdata.net/>  
Warranty Information: <http://support.cyberdata.net/>



Parameter	Factory Default Setting
IP Addressing	DHCP
IP Address <sup>a</sup>	10.10.10.10
Web Access Username	admin
Web Access Password	admin
Subnet Mask <sup>a</sup>	255.0.0.0
Default Gateway <sup>a</sup>	10.0.0.1

a. Default if there is not a DHCP server present.

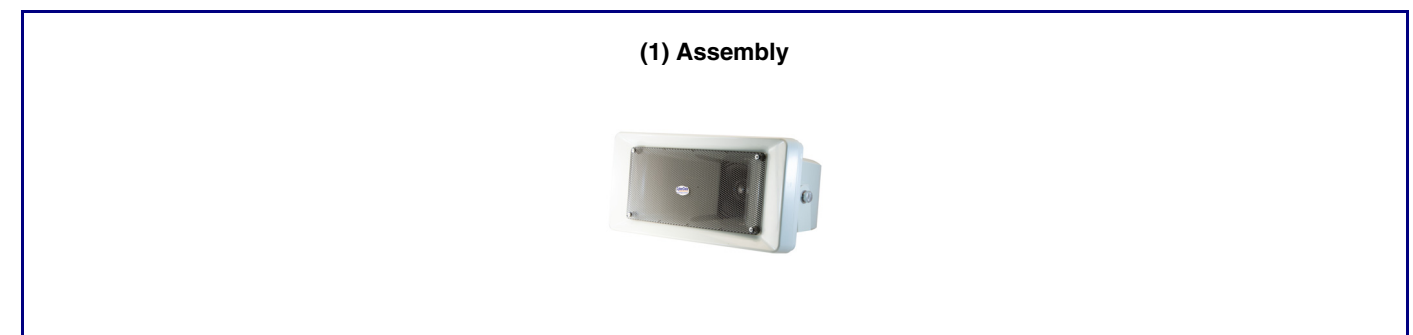
## Typical System Installation



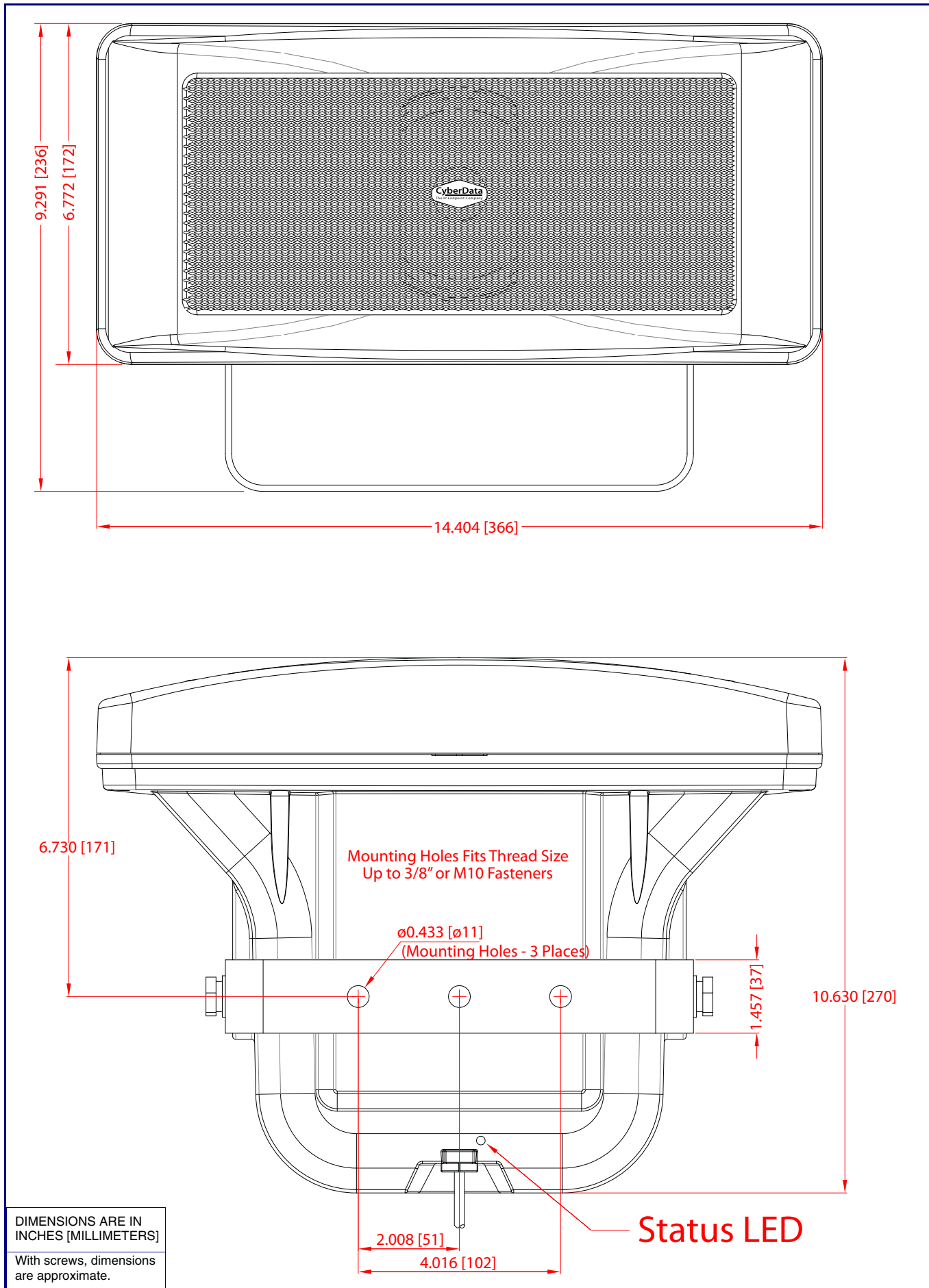
## Getting Started

- Download the *Operations Guide* PDF file from the **Documents** tab at the following webpage:  
<http://www.cyberdata.net/voip/011457>
- Create a plan for the locations of your paging amplifiers.
- **WARNING:** This product should be installed by a licensed electrician according to all local electrical and building codes.
- **WARNING:** To prevent injury, this apparatus must be securely attached to the floor/wall in accordance with the installation instructions.
- **WARNING:** The PoE connector is intended for intra-building connections only and does not route to the outside plant.
- **WARNING:** The SIP IP66 Outdoor Horn enclosure is not rated for any AC voltages!

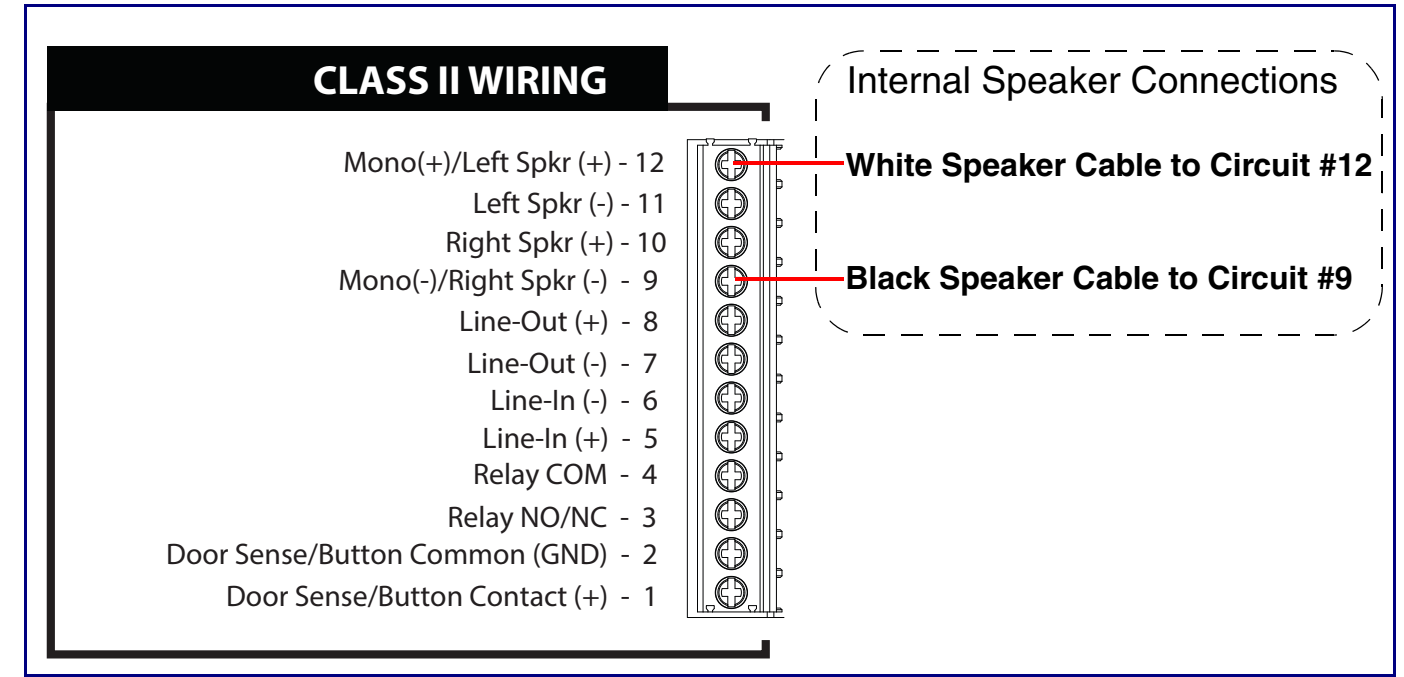
## Parts



Dimensions



Connection Options



Install the Network Cable Through Weatherproof Cable Gland

