

# SIP h.264 Video Outdoor Intercom with RFID

# CyberData

The IP Endpoint Company

The CyberData SIP h.264 Video Outdoor Intercom with RFID is perfect for secure access settings requiring RFID access control, video, and two-way communication. With excellent color, low light capability, and encrypted RFID, the SIP h.264 Video Intercom can increase the security of any VoIP installation.

The product supports up to 500 RFID cards. A card with a blacklisted code will trigger a phone call with a pre-recorded message and/or a multicast stream to IP notification endpoints. The access code list, designating valid entry times or blacklisted users, can be updated manually using the web interface, imported using the web page, or autoprovisioned using the same mechanism as a VoIP phone. For ease of managing your access list, we recommend using the 011425 RFID Secure Access Endpoint as a desktop enrollment device. (see RFID Implementation Guide on the **Installation** tab).

CyberData's SIP enabled VoIP products are compatible with a vast majority of VoIP systems including SBCs, Gateways, and phone systems both on-premise and cloud-based.

## Features

- Mifare Plus X 2K/4K cards are supported for a high level of encryption. **This product comes with five RFID cards.**
- Built-in time of access scheduler
- Local and remote logging with time stamp
- NTP time support
- Supports 500 RFID Cards
- Blacklisted card alert via dialout or multicast
  
- Full duplex audio with enhanced acoustic echo cancelling
- Half duplex push-to-talk audio from the phone side using the phone's keypad or from the intercom side using the call button
- Simultaneous SIP and multicast
- Supports user-uploadable ring and alert tones
- Loud/Night Ringer function - second SIP extension
- Can receive pages directly from Poly phones as well as other devices that send standard multicast
  
- Adjustable camera angle
- Alert buzzer
- Red/Green lock status lights
- DTMF-controlled dry relay contact for auxiliary control
- Door closure and tamper alert signal
- Network volume control
- Supports Outdoor Auxiliary Strobe Kit for IP66-rated outdoor visual notification
  
- TLS 1.2 enhanced security for IP endpoints in a local or cloud-based environment
- Autoprovisioning via HTTP, HTTPS, or TFTP
- HTTPS or HTTP web-based configuration. HTTPS is enabled by default
- Configurable event generation for device health and status monitoring
- 802.11q VLAN tagging
- Web-based upgradeable firmware
- Support for Cisco SRST resiliency



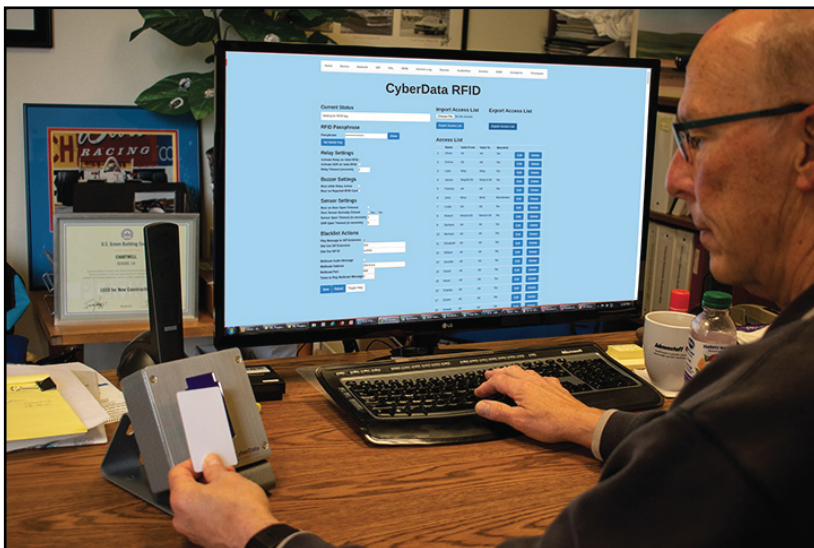
## Specifications

Ethernet I/F	10/100 Mbps
Protocol	SIP RFC 3261 Compatible
RFID Card Protocol	ISO/IEC 14443 Type A - 13.56 MHz Standard
Power Input	PoE 802.3af compliant or +8 to +12VDC @ 1000mA Regulated Power Supply (not included)
Audio Output (Max)	802.3af: 86dB @ 1 meter
Power Rating (Max)	802.3af: 5-Watts
On-Board Relay	1A @ 30 VDC
Supported RFID cards	Mifare Plus X 2K or 4K
Payload Types	G.711 a-law, G.711μ-law, G.722, and G.729
Video Codec	H.264 Baseline
Camera Resolution	320 x 240
SIP Video Payload	Baseline profile @ 320x240
Video Lens Angle	72 degrees, with 30 degree mechanical adjustment
Network Security	TLS 1.2
IP Rating	IP65
Operating Range	Temperature: -40° C to 55° C (-40° F to 131° F) Humidity: 5-95%, non-condensing
Storage Temperature	Temperature: -40° C to 70° C (-40° F to 158° F)
Storage Altitude	Up to 15,000 ft. (4573 m)
Dimensions*	Length: 7.480 inch [190 mm] Width: 2.284 inch [58 mm] Height: 5.118 inch [130 mm]
Weight	2.8 lbs. [1.27 kg]
Boxed Weight	4.0 lbs. [1.81 kg]
Compliance	CE: EMC Directive – Class A EN 55032 & EN 55024, LV Safety Directive EN 62368-1; RoHS Compliant; FCC Part 15 Class; Industry Canada ICES-3 Class A; IEEE 802.3 Compliant; TAA Compliant
Warranty	2 Years Limited
Part Number	011478

\*Dimensions are measured from the perspective of the product being upright with the front of the product facing you.

# SIP Outdoor Intercom with RFID

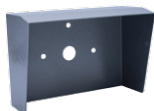
## Desktop Enrollment with 011425 RFID Secure Access Device



## Secure Card Presentation for Access



### Related Products:



011215 Outdoor Shroud, 2X



011442 Flush Mount Kit, 2X



011375 Network Dual Door Strike Relay



011269 Door Strike Intermediate Relay Module



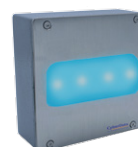
011432 Key Fobs and 011422 RFID Cards  
Packets of 10



011425 RFID Secure Access Endpoint



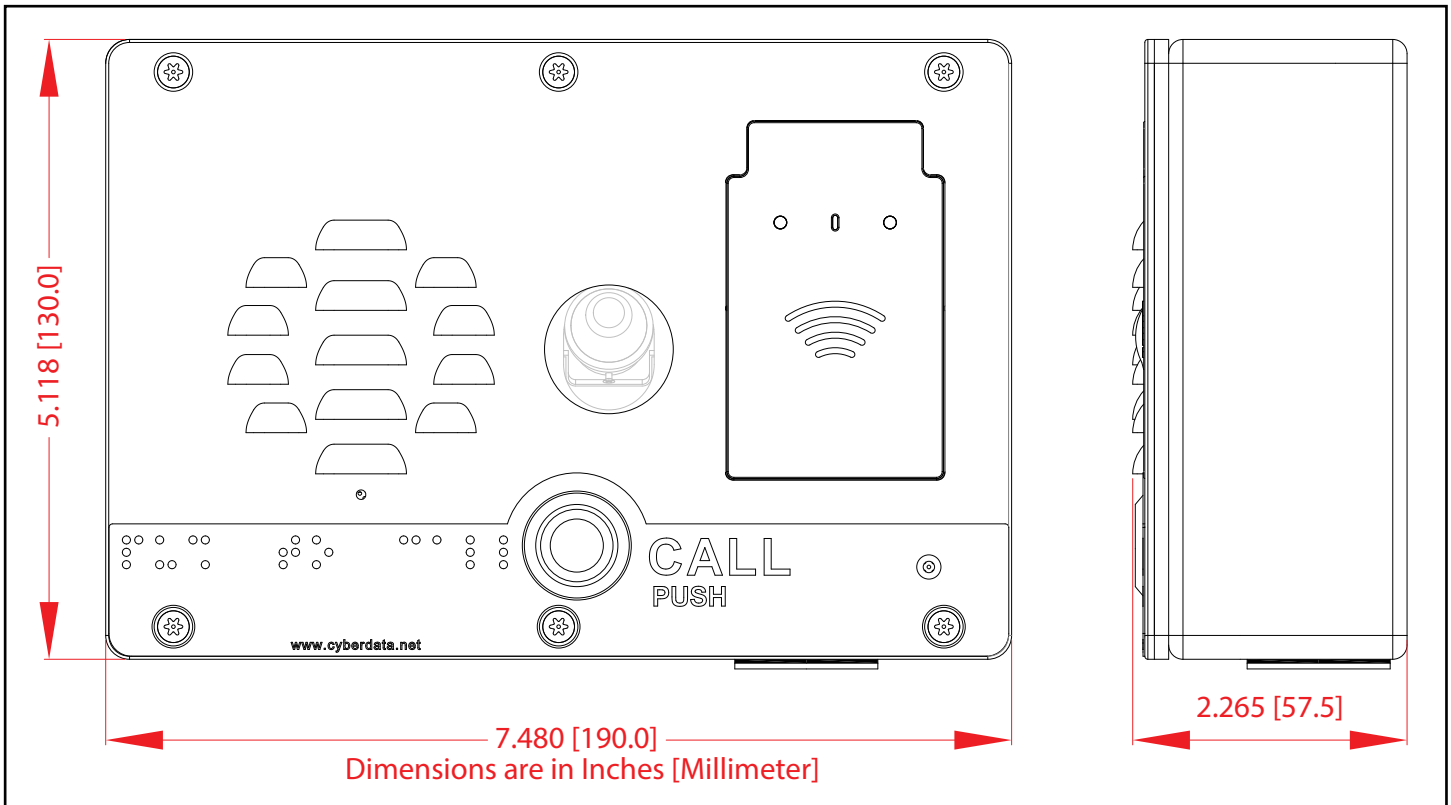
011423 Desktop Stand for 1X Outdoor Backboxes



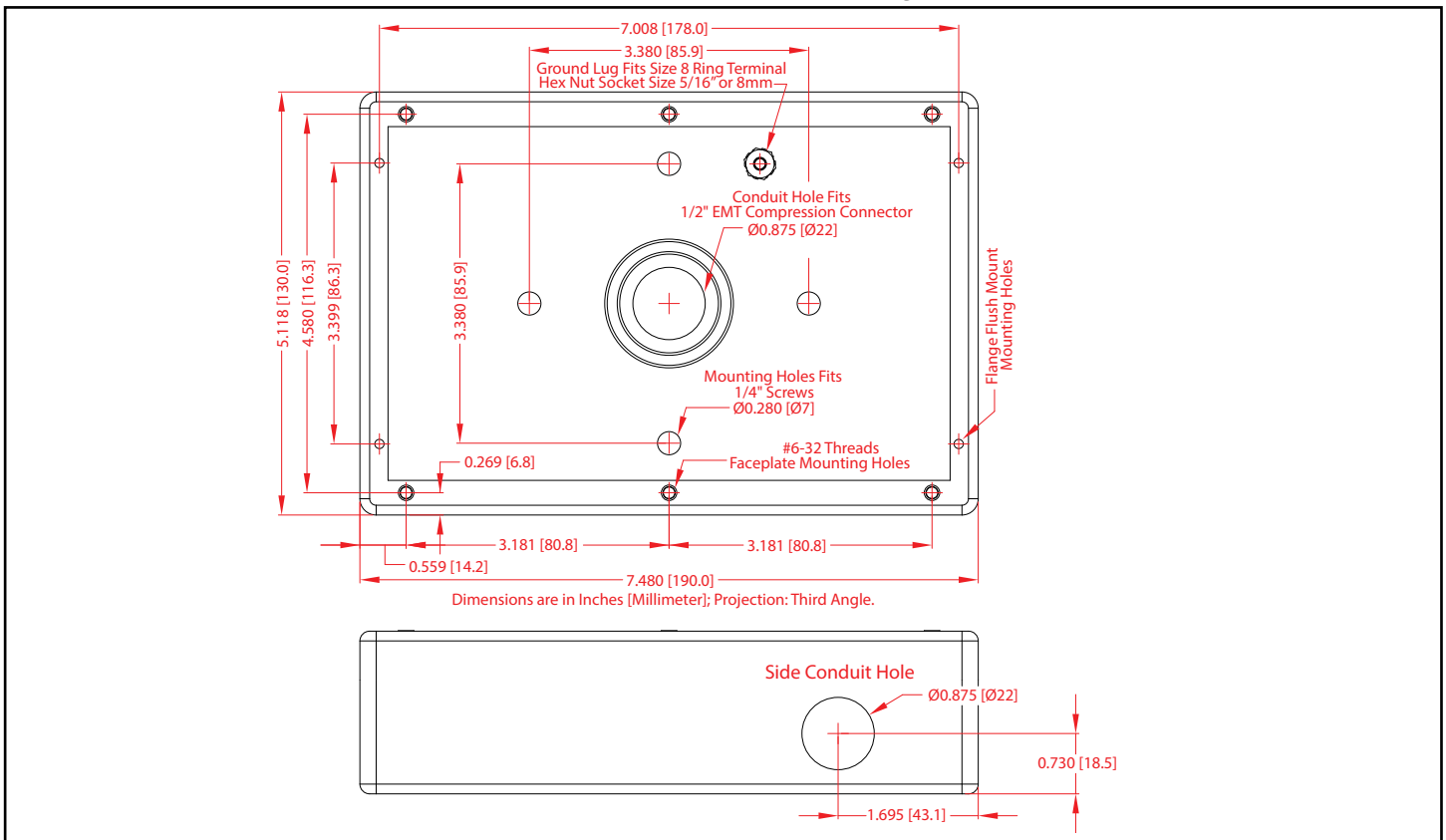
011490 Outdoor Auxiliary RGB (Multi-Color) Strobe Kit

# SIP h.264 Video Outdoor Intercom with RFID

## Dimensions (Front and Side View)

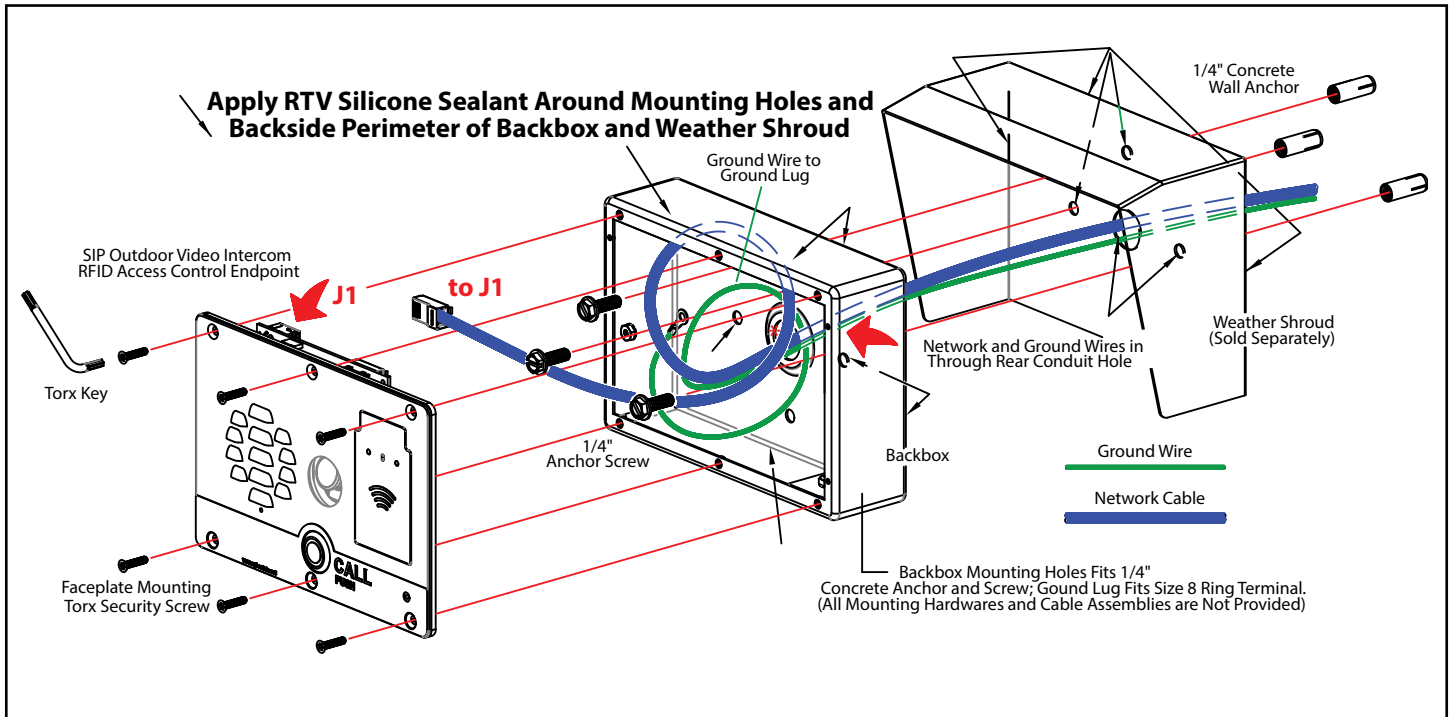


## Dimensions (Rear View and Mounting Holes)



# SIP h.264 Video Outdoor Intercom with RFID

## Securing the Device (and Ground Cable and Network Cable Installation)



## Gooseneck Conduit Mounting

