

Installation Quick Reference  
**Outdoor Auxiliary RGB  
(Multi-Color) Strobe Kit  
011490**



Parts List

- (1) Outdoor Auxiliary RGB (Multi-Color) Strobe Kit
- (1) 3.28 feet [1 meter] cable


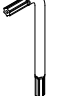
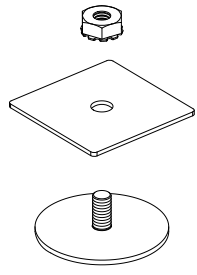
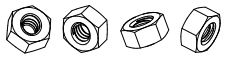
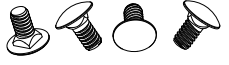

Features

- Meets ADA requirements for telephony signaling and notification
- Activates from a CyberData IP endpoint
- Mailbox Message Waiting Indication
- Multicast activation

Getting Started

- Download the *Operations Guide* PDF file, from the **Downloads** tab at the following webpage:  
<https://www.cyberdata.net/products/011490>
- Create a plan for the locations of your Outdoor Auxiliary RGB (Multi-Color) Strobe Kits.
- **WARNING:** This product should be installed by a licensed electrician according to all local electrical and building codes.
- **WARNING:** To prevent injury, this apparatus must be securely attached to the floor/wall in accordance with the installation instructions.
- **WARNING:** This enclosure is not rated for any AC voltages!

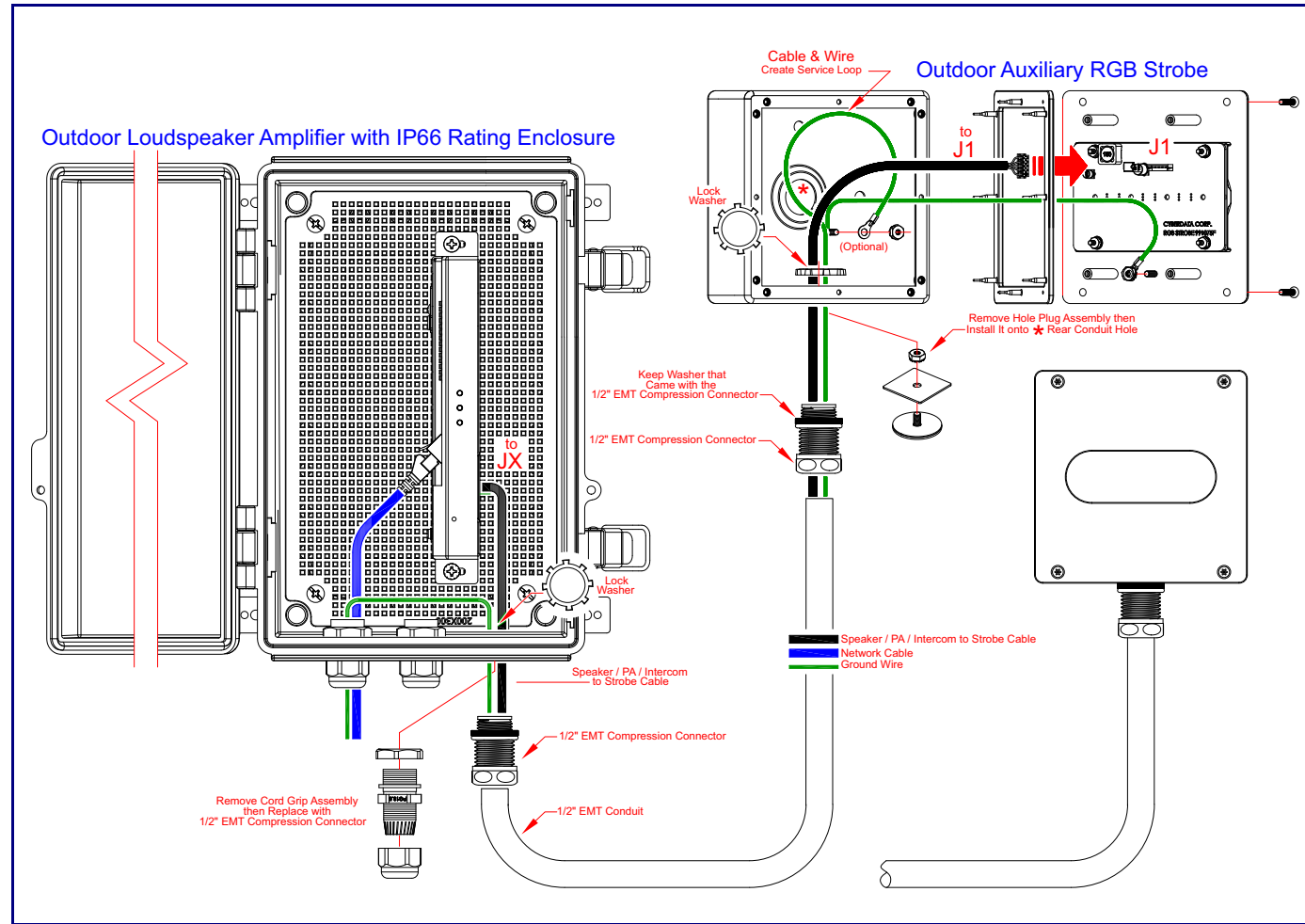
Parts

<p><b>Accessory Kit</b></p> <p>(4) Phillips Screws    (4) Security Torx Screws</p>  <p>(1) T-15H Torx Key</p> 	<p>(1) Hole plug assembly</p> 	<p><b>Optional Accessories (for gooseneck mounting)</b></p> <p>(4) Carriage bolt nuts</p>  <p>(4) Carriage bolts</p>  <p>(4) Carriage bolt washers</p> 
--	---	--

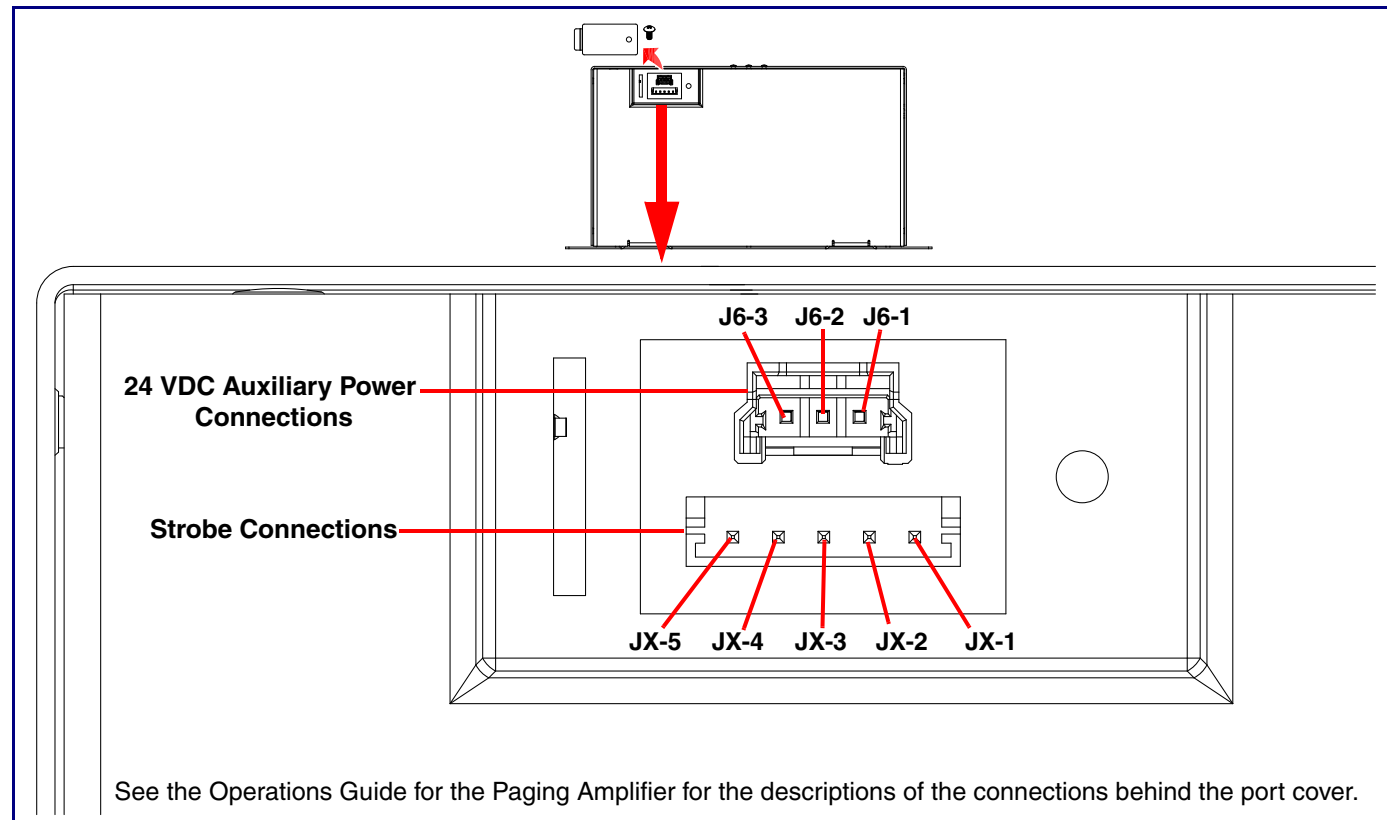
Contacting CyberData

<p>Corporate Headquarters</p>	
<p>CyberData Corporation 3 Justin Court Monterey, CA 93940, USA</p>	<p>Sales: 831-373-2601 ext. 334 Support: 831-373-2601 ext. 333 Support Website: <a href="https://support.cyberdata.net/">https://support.cyberdata.net/</a> RMA Department Contact and Status: <a href="https://support.cyberdata.net/">https://support.cyberdata.net/</a></p>
<p>Phone: 831-373-2601 Fax: 831-373-4193 <a href="https://www.cyberdata.net/">https://www.cyberdata.net/</a></p>	<p>Warranty Information: <a href="https://support.cyberdata.net/">https://support.cyberdata.net/</a></p>

## Loudspeaker Amplifier Connections



## Strobe Connections Behind the Port Cover



## Optional Conduit Wall Mounting (Outdoor Intercom or Outdoor Call Button)

