

Contacting CyberData

Corporate Headquarters	
CyberData Corporation 3 Justin Court Monterey, CA 93940, USA	Sales: (831) 373-2601 ext. 334 Support: 831-373-2601 ext. 333 Support Website: http://support.cyberdata.net/ RMA Department: (831) 373-2601 ext. 136 RMA Email: RMA@CyberData.net RMA Status: http://support.cyberdata.net/ Warranty Information: http://support.cyberdata.net/
Phone: 831-373-2601 Fax: 831-373-4193 http://www.cyberdata.net/	

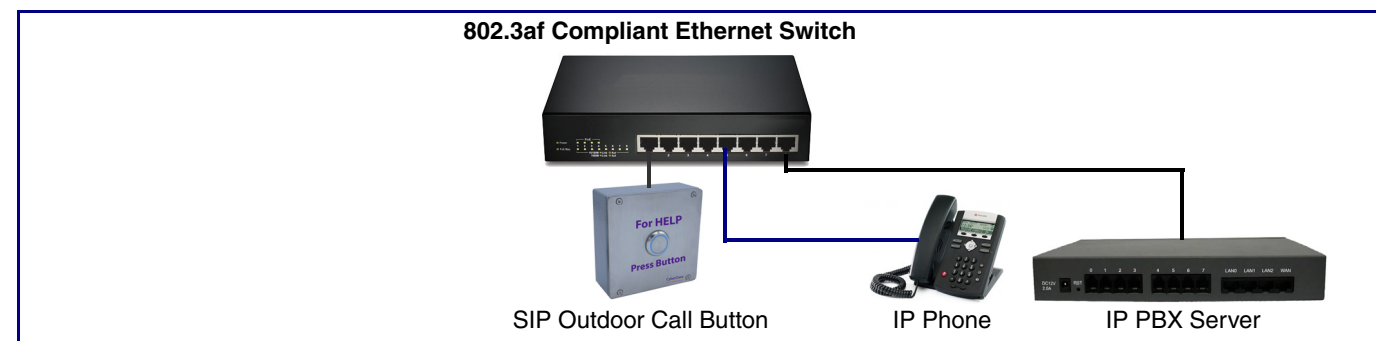
Installation Quick Reference
SIP Outdoor Call Button
SIP Compliant
011491



Parameter	Factory Default Setting
IP Addressing	DHCP
IP Address ^a	10.10.10.10
Web Access Username	admin
Web Access Password	admin
Subnet Mask ^a	255.0.0.0
Default Gateway ^a	10.0.0.1

a. Default if there is not a DHCP server present.

Typical System Installation



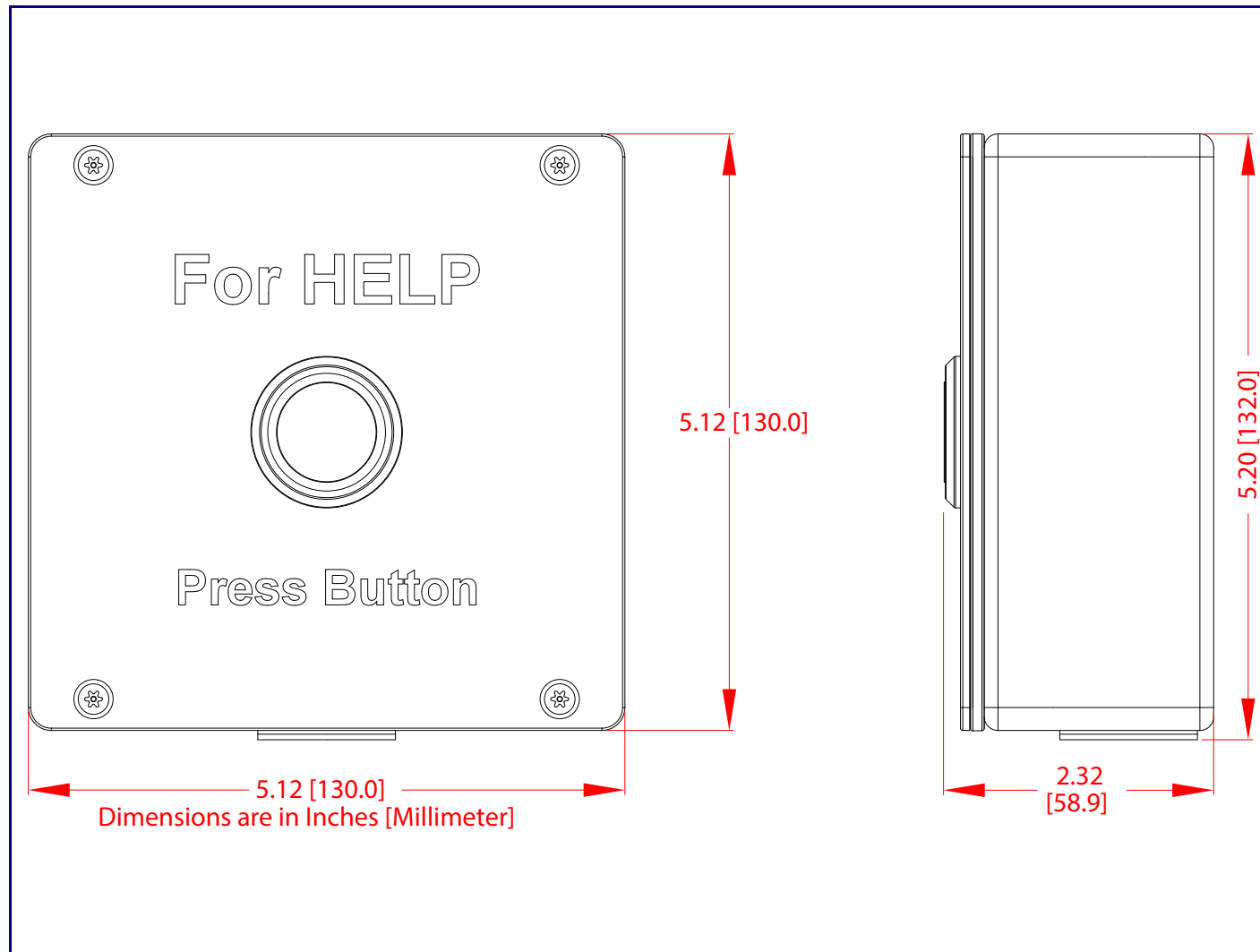
Getting Started

- Download the *SIP Outdoor Call Button Operations Guide* PDF file, from the SIP Outdoor Call Button product page at: <https://www.cyberdata.net/products/011491>
- Create a plan for the locations of your SIP Outdoor Call Buttons.
- **WARNING:** This product should be installed by a licensed electrician according to all local electrical and building codes.
- **WARNING:** To prevent injury, this apparatus must be securely attached to the floor/wall in accordance with the installation instructions.
- **WARNING:** The PoE connector is intended for intra-building connections only and does not route to the outside plant.
- **WARNING:** This enclosure is not rated for any AC voltages!

Parts

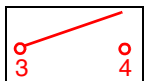
(1) SIP Outdoor Call Button 	(1) T-15H Torx Key (4) Security Torx Screw 	Optional Accessories (for gooseneck mounting) (4) Carriage bolt nuts (4) Carriage bolts (4) Carriage bolt washers 	Optional Accessories (1) Spacer for half-inch set conduit connector (1) 531085* hole plug assembly
---------------------------------	---	---	---

Dimensions



Terminal Block Connections

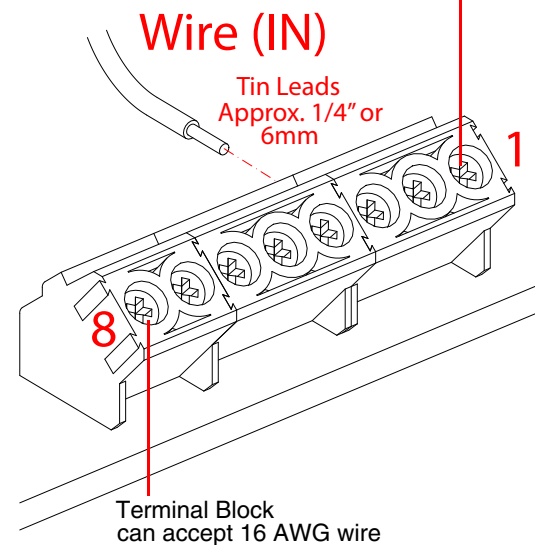
Alternate Power Input:
 1 = +8 to +12VDC @ 1000mA Regulated Power Supply*
 2 = Power Ground*



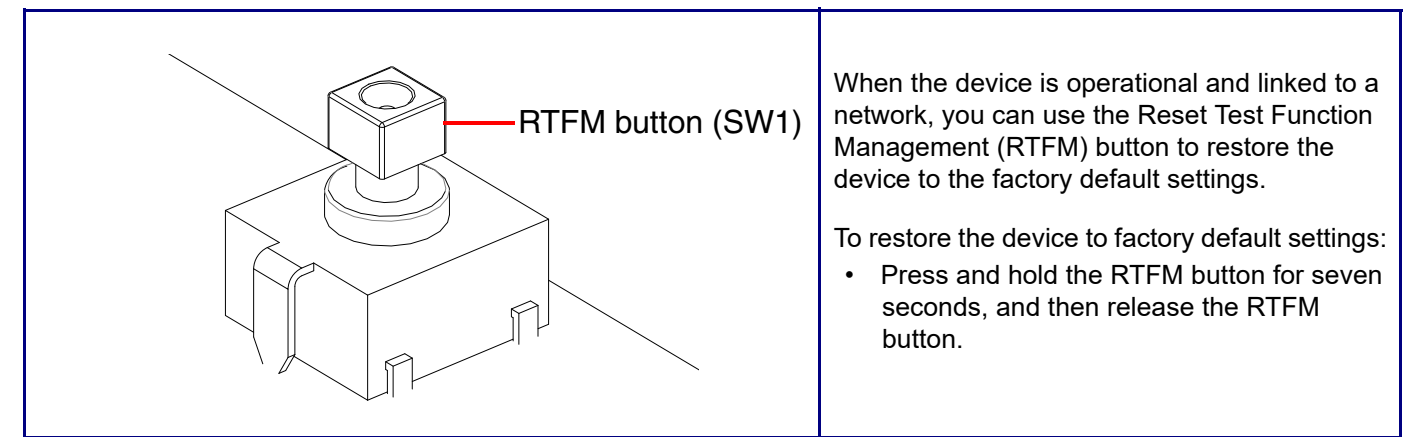
Relay Contact:
 (1 A at 30 VDC for continuous loads)
 3 = Relay Common
 4 = Relay Normally Open Contact
 5 = Sense Input
 6 = Sense Ground
 7 = Remote Switch "A"
 8 = Remote Switch "B"

*Contacts 1 and 2 on the terminal block are only for powering the device from a non-PoE 12VDC power source as an alternative to Network PoE power. Use of these contacts for any other purpose will damage the device and void the product warranty.

Use a 3.17 mm (1/8-inch) flat blade screwdriver for the terminal block screws



RTFM Button



When the device is operational and linked to a network, you can use the Reset Test Function Management (RTFM) button to restore the device to the factory default settings.

To restore the device to factory default settings:

- Press and hold the RTFM button for seven seconds, and then release the RTFM button.

Wall Mounting Options

