

## Mounting Options—Wall Mounting

To be installed and or used in accordance with the appropriate electrical codes and regulations.

1. Prepare a hole cutout for both wires and the plastic-ribbed anchors. Use the provided **Mounting Template** or place the backplate directly onto the mounting surface. Mark the surface, and then drill the holes. (Drill Size: 3/16-inch / 4.8-mm) for the plastic-ribbed anchors.
2. Use a rubber mallet to hammer the plastic-ribbed anchors into the prepared holes.
3. Line up the backplate's Elongated Hole to the plastic-ribbed anchors.
4. Install the mounting screws through the backplate and plastic-ribbed anchors.
5. Connect the wires to the terminals on the Remote Call Button. See the **Connections** diagram on the Quick Reference Placemat.
6. Put the Remote Call Button and the backplate together by installing the flat head machine screw on the bottom.

## Mounting Options—Plastic Low Voltage Bracket

To be installed and or used in accordance with the appropriate electrical codes and regulations.

1. Make a hole cutout for the Low Voltage Bracket\*.
2. Fold down the flagnuts, and then insert the Low Voltage Bracket into the hole cutout.
3. Install the mounting screws\* through the backplate and the Low Voltage Bracket.
4. Connect the wires to the terminals on the Remote Call Button. See the **Connections** diagram on the Quick Reference Placemat.
5. Put the Remote Call Button and the backplate together by installing the flat head machine screw on the bottom.

**\*The Low Voltage Bracket and mounting screws are not provided.**

## Contacting CyberData

### Corporate Headquarters

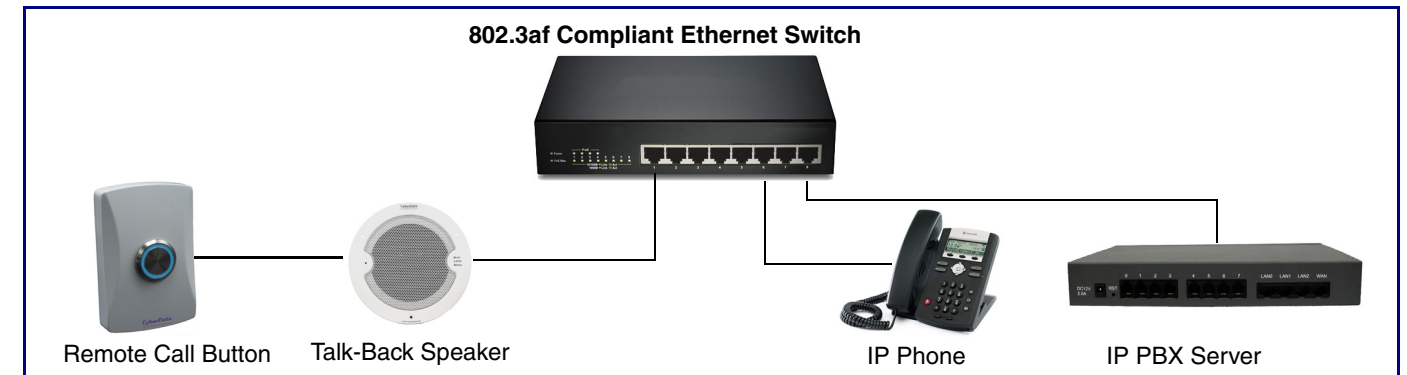
CyberData Corporation  
3 Justin Court  
Monterey, CA 93940, USA

Phone: 831-373-2601  
Fax: 831-373-4193  
<https://www.cyberdata.net/>

Sales: 831-373-2601 ext. 334  
Support: 831-373-2601 ext. 333  
Support Website: <https://support.cyberdata.net/>  
RMA Department Contact and Status: <https://support.cyberdata.net/>  
Warranty Information: <https://support.cyberdata.net/>



## Typical Installation



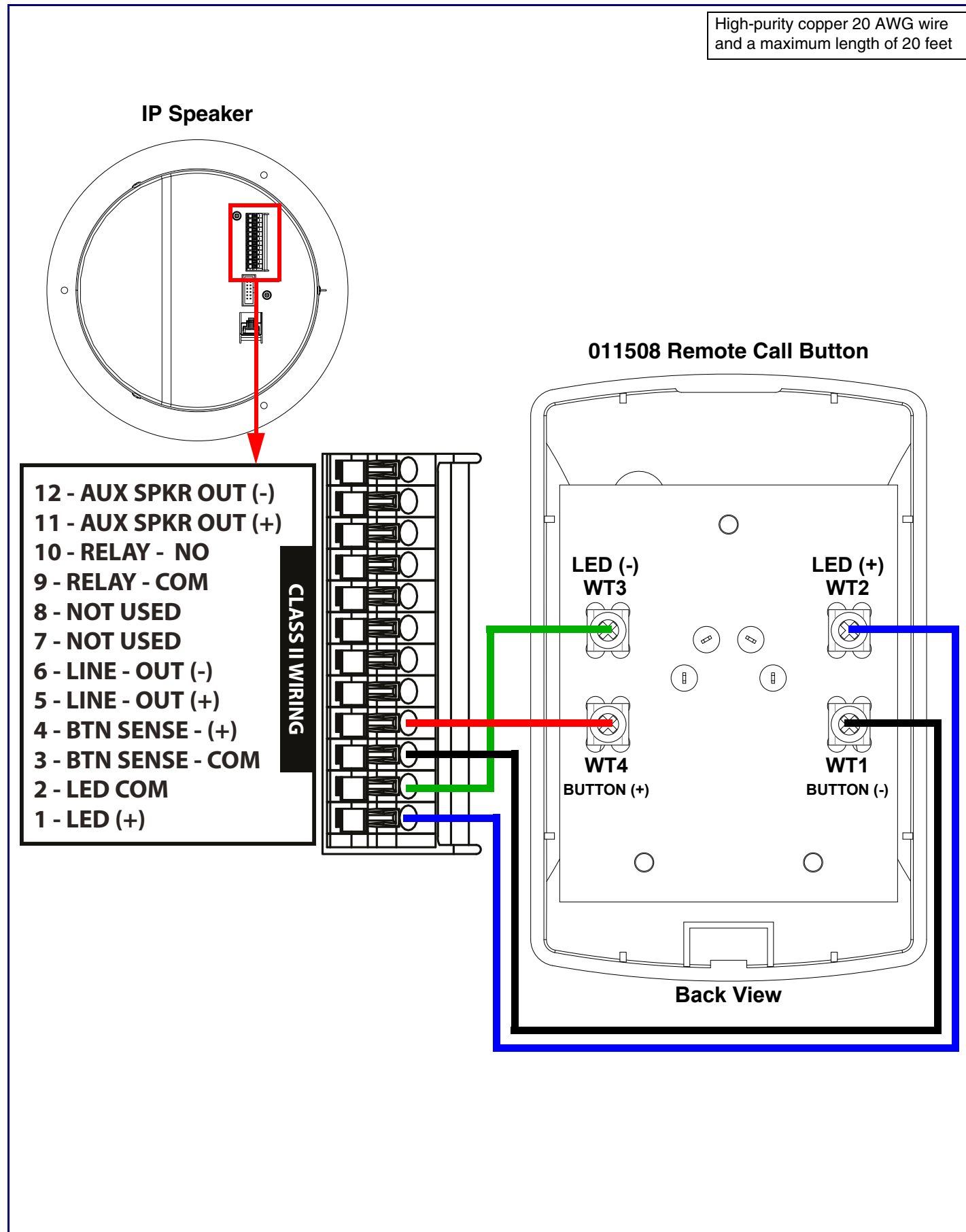
## Getting Started

- Download the *Remote Call Button Operations Guide* PDF file from the **Downloads** tab at: <https://www.cyberdata.net/products/011508/>
- Create a plan for the locations of your speakers.
- **WARNING: This product should be installed by a licensed electrician according to all local electrical and building codes.**
- **WARNING: To prevent injury, this apparatus must be securely attached to the floor/wall in accordance with the installation instructions.**
- **WARNING: The PoE connector is intended for intra-building connections only and does not route to the outside plant.**
- **WARNING: The Call Button enclosure is not rated for any AC voltages!**

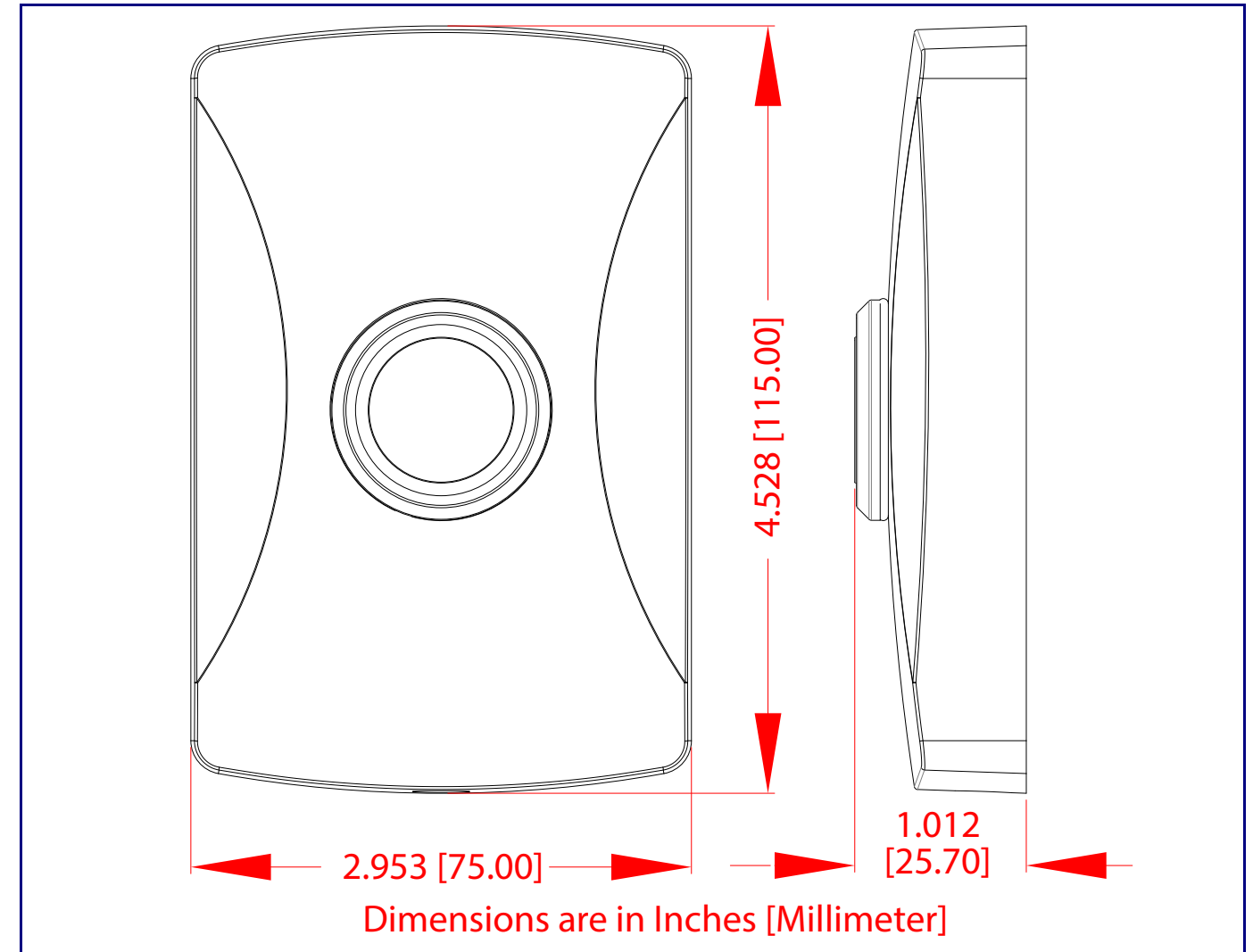
## Parts

(1) Call Button Assembly	Accessory Kit
(1x) M3 x 6mm Flat Head Machine Screw	(4x) Plastic Ribbed Anchor
	(4x) Wall Mounting #6x1.25" Pan Head Phillips Sheet Metal Screw

Connections



Dimensions



Mounting Template

