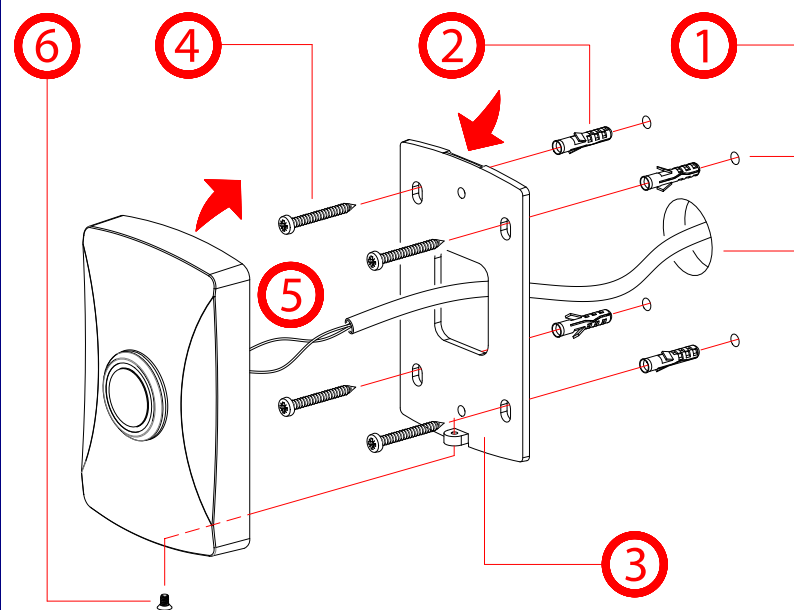


Mounting Options—Wall Mounting

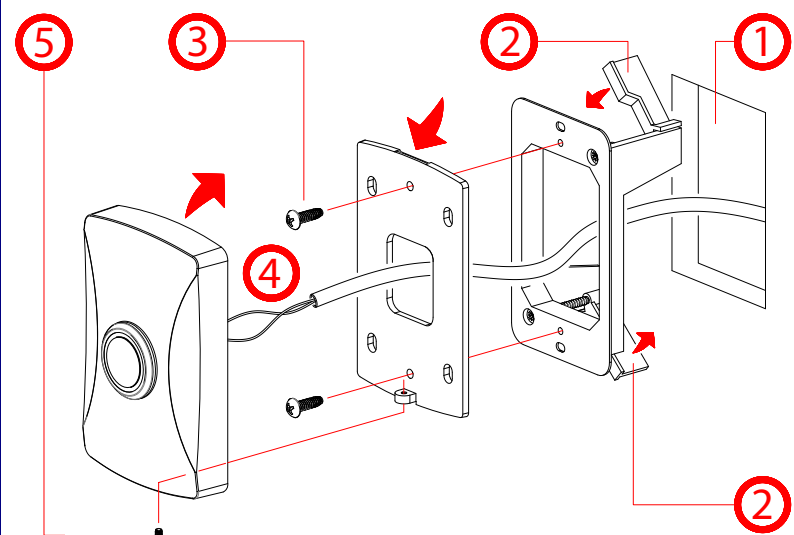
To be installed and or used in accordance with the appropriate electrical codes and regulations.



1. Prepare hole cutouts for both wires and the plastic-ribbed anchors. Use the provided **Mounting Template** or place the backplate directly onto the mounting surface. Mark the surface, and then drill the holes. (Drill Size: 3/16-inch / 4.8-mm) for the plastic-ribbed anchors.
2. Use a rubber mallet to hammer the plastic-ribbed anchors into the prepared holes.
3. Line up the backplate's Elongated Hole to the plastic-ribbed anchors.
4. Install the mounting screws through the backplate and plastic-ribbed anchors.
5. Connect the wires to the terminals on the InformaCast Enabled WiFi Alert Button. See the **J1 Power Connection** diagram on this Quick Reference Placemat.
6. Put the InformaCast Enabled WiFi Alert Button and the backplate together by installing the flat head machine screw on the bottom.

Mounting Options—Optional Plastic Low Voltage Bracket (Not Included)

To be installed and or used in accordance with the appropriate electrical codes and regulations.



The hole pattern of the WiFi Button's back plate can be mounted on a standard gang box or low voltage mount (pictured to the left).

1. Make a hole cutout for the Low Voltage Bracket*.
 2. Fold down the flagnuts, and then insert the Low Voltage Bracket into the hole cutout.
 3. Install the mounting screws* through the backplate and the Low Voltage Bracket.
 4. Connect the wires to the terminals on the InformaCast Enabled WiFi Alert Button. See the **J1 Power Connection** diagram on this Quick Reference Placemat.
 5. Put the InformaCast Enabled WiFi Alert Button and the backplate together by installing the flat head machine screw on the bottom.
- *The Low Voltage Bracket and mounting screws are not provided.**

Contacting CyberData

Corporate Headquarters
CyberData Corporation
3 Justin Court
Monterey, CA 93940, USA

Phone: 831-373-2601
Fax: 831-373-4193
<http://www.cyberdata.net/>

Sales: 831-373-2601 ext. 334
Support: 831-373-2601 ext. 333
Support Website: <http://support.cyberdata.net/>
RMA Department: 831-373-2601 ext. 136
RMA Email: RMA@CyberData.net
RMA Status: <http://support.cyberdata.net/>
Warranty Information: <http://support.cyberdata.net/>

CyberData
The IP Endpoint Company

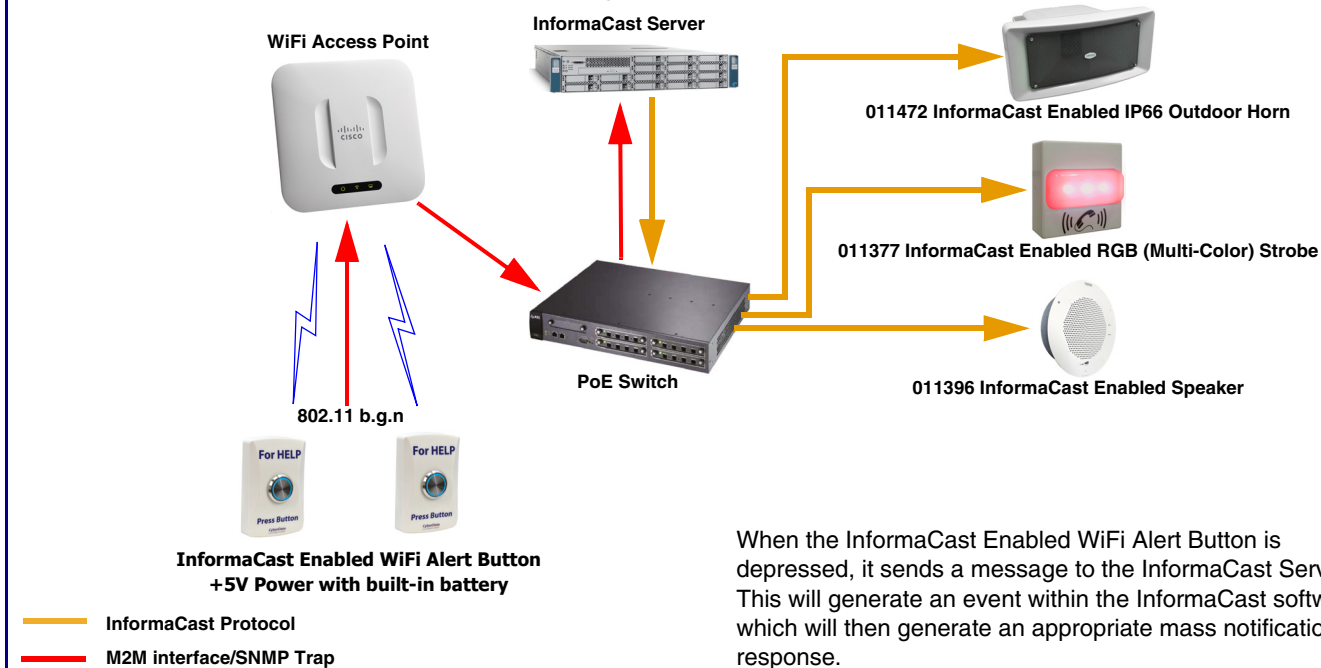
Installation Quick Reference

InformaCast Enabled WiFi Alert Button 011527



Typical Installation



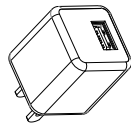
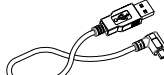


InformaCast Enabled WiFi Alert Button Connectivity



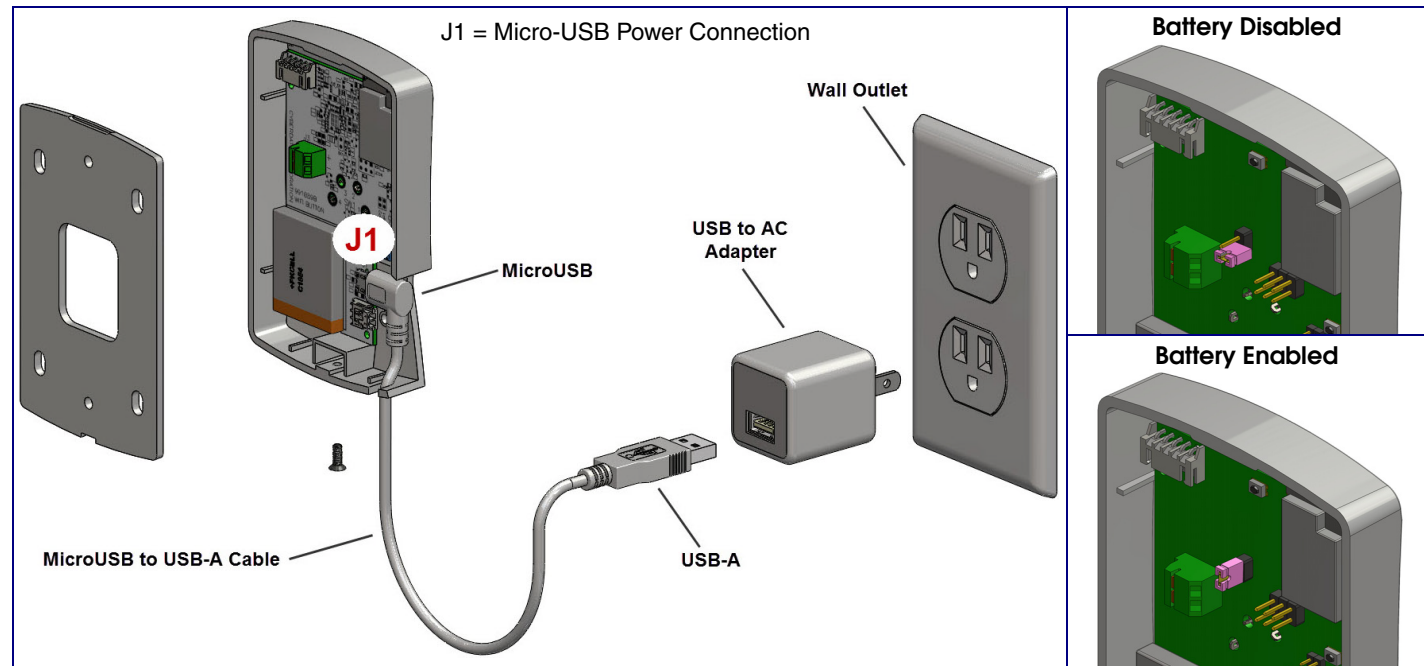
Getting Started

- Download the *InformaCast Enabled WiFi Alert Button Operations Guide* PDF file from the **Downloads** tab at: <http://www.cyberdata.net/products/011527/>
- Create a plan for the locations of your WiFi buttons.
- **WARNING: To prevent injury, this apparatus must be securely attached to the wall in accordance with the installation instructions.**
- **WARNING: The device enclosure is not rated for any AC voltages!**

Parts

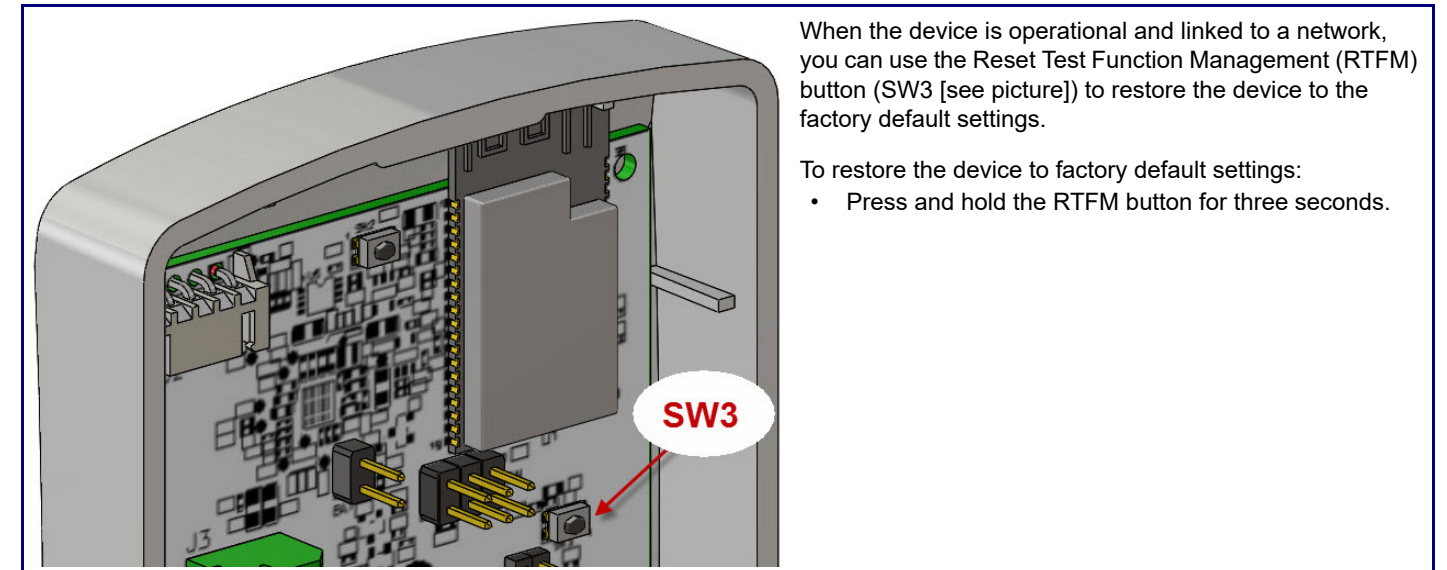
<p>(1) InformaCast Enabled WiFi Alert Button Assembly</p>  <p>(1x) M3 Flat Head Machine Screw</p> 	<p>(1) USB to AC Adapter</p>  <p>(1) Accessory Kit-USB Cable Kit for Wi-Fi Button</p> 	<p>Accessory Kit</p> <p>(4x) Plastic Ribbed Anchor</p>  <p>(4x) Wall Mounting #6x1.25" Pan Head Phillips Sheet Metal Screw</p> 
--	--	--

J1 Power Connection

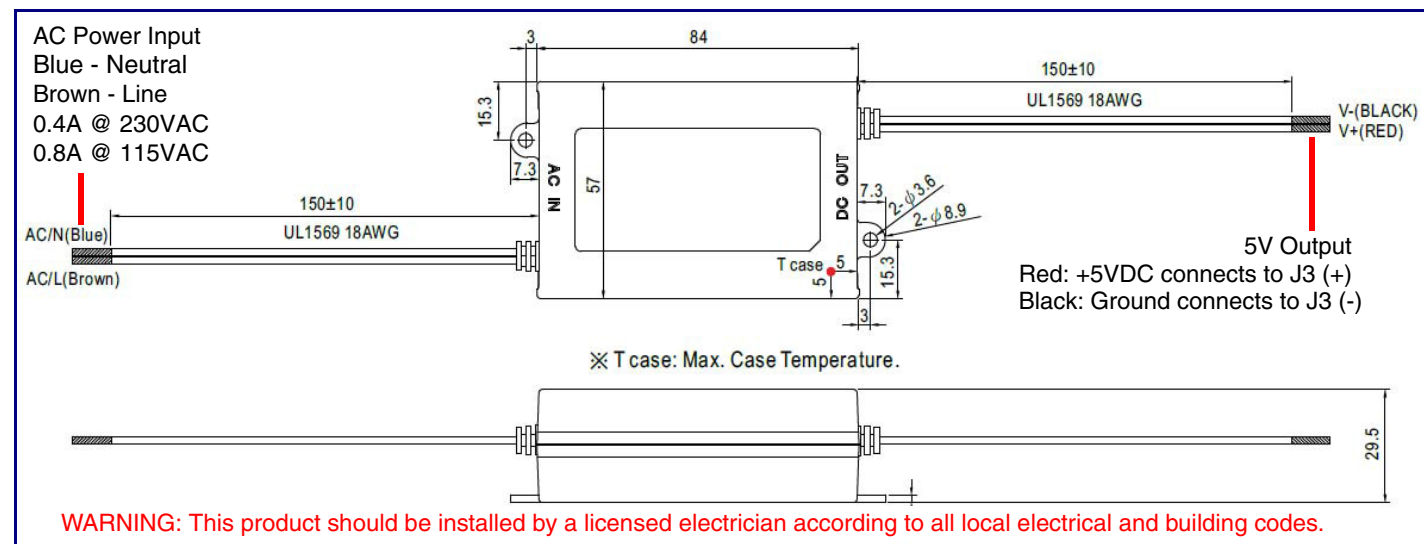


Enable the Battery Before Installation

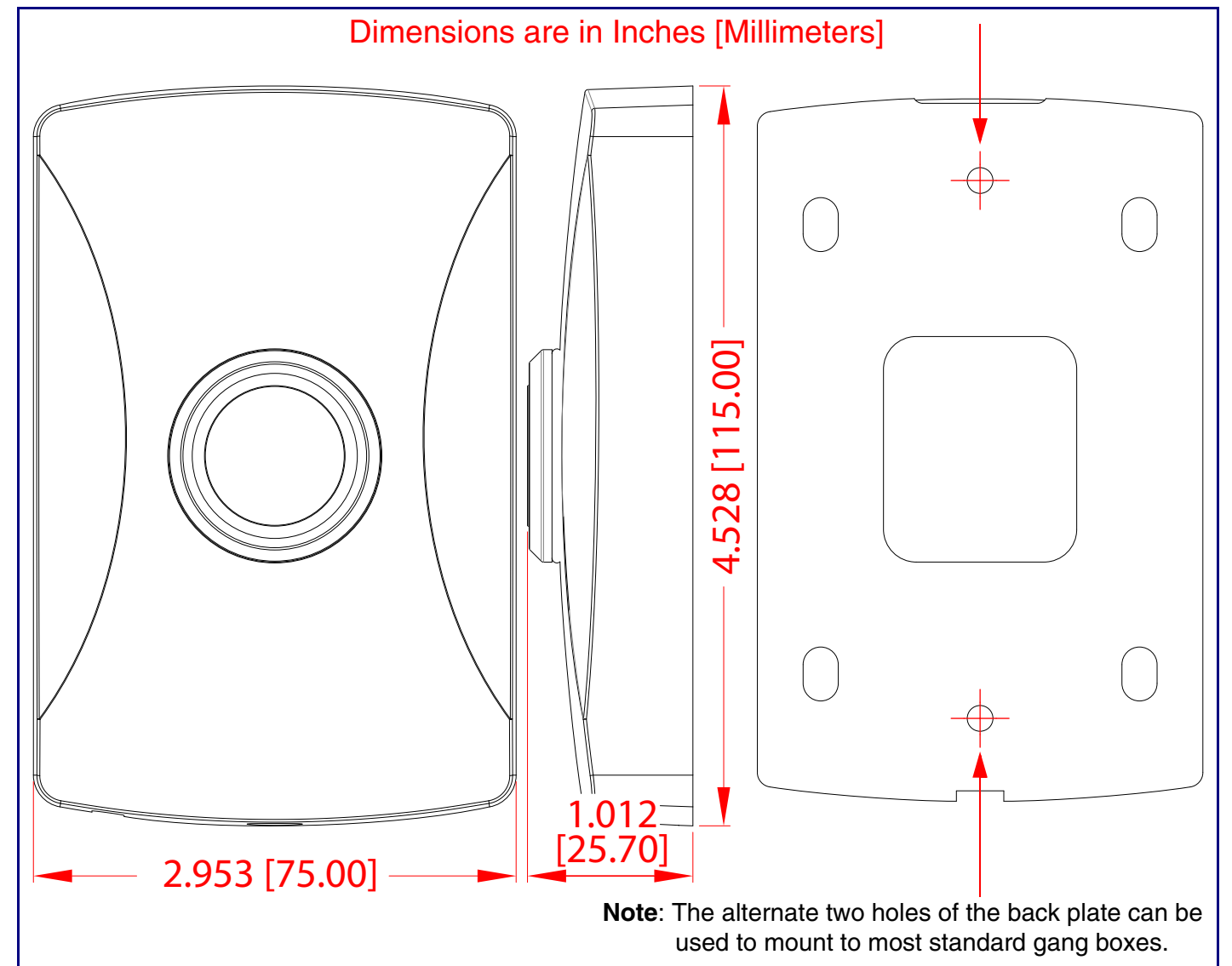
Reset Test Function Management (RTFM) Button



Optional Auxiliary Power Supply (Part #011542 (Sold Separately))



Dimensions and Mounting Template



J3 Power Connection

J3 = Auxiliary Power Input

