



*Cisco Webex Desk Pro Video Device
Secure Case
Quick Reference Placemat*

Part #011547
Part #011546
Part #011551
Part #011552

Document Part #931839B

Important Safety Information

- **WARNING:** The PoE connector is intended for intra-building connections only and does not route to the outside plant.
- **WARNING:** This enclosure is not rated for any AC voltages!

Contacting CyberData

Corporate Headquarters

CyberData Corporation
3 Justin Court
Monterey, CA 93940, USA

Phone: 831-373-2601
Fax: 831-373-4193
<https://www.cyberdata.net/>

Sales: 831-373-2601 ext. 334
Support: 831-373-2601 ext. 333
Support Website: <https://support.cyberdata.net/>
RMA Department Contact and Status: <https://support.cyberdata.net/>
Warranty Information: <https://support.cyberdata.net/>



CISCO DESK PRO

DO NOT SHIP ENCLOSURE WITH PHONE INSTALLED
[PHONE MUST BE INSTALLED ON-SITE]



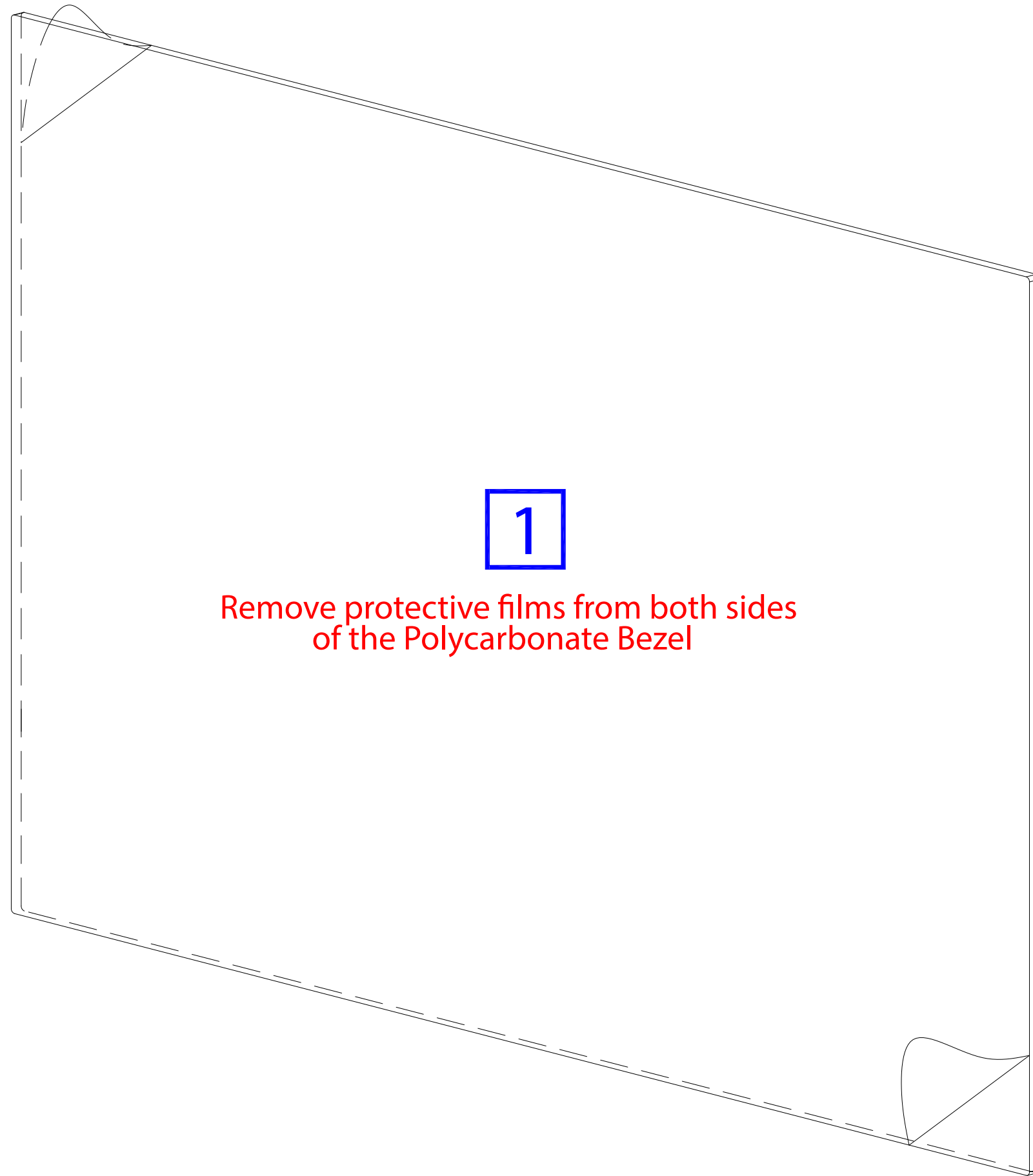
“IMPORTANT - READ BEFORE STARTING THE INSTALLATION”



Desk Pro - Mounting the Enclosure

Take into consideration before you install:

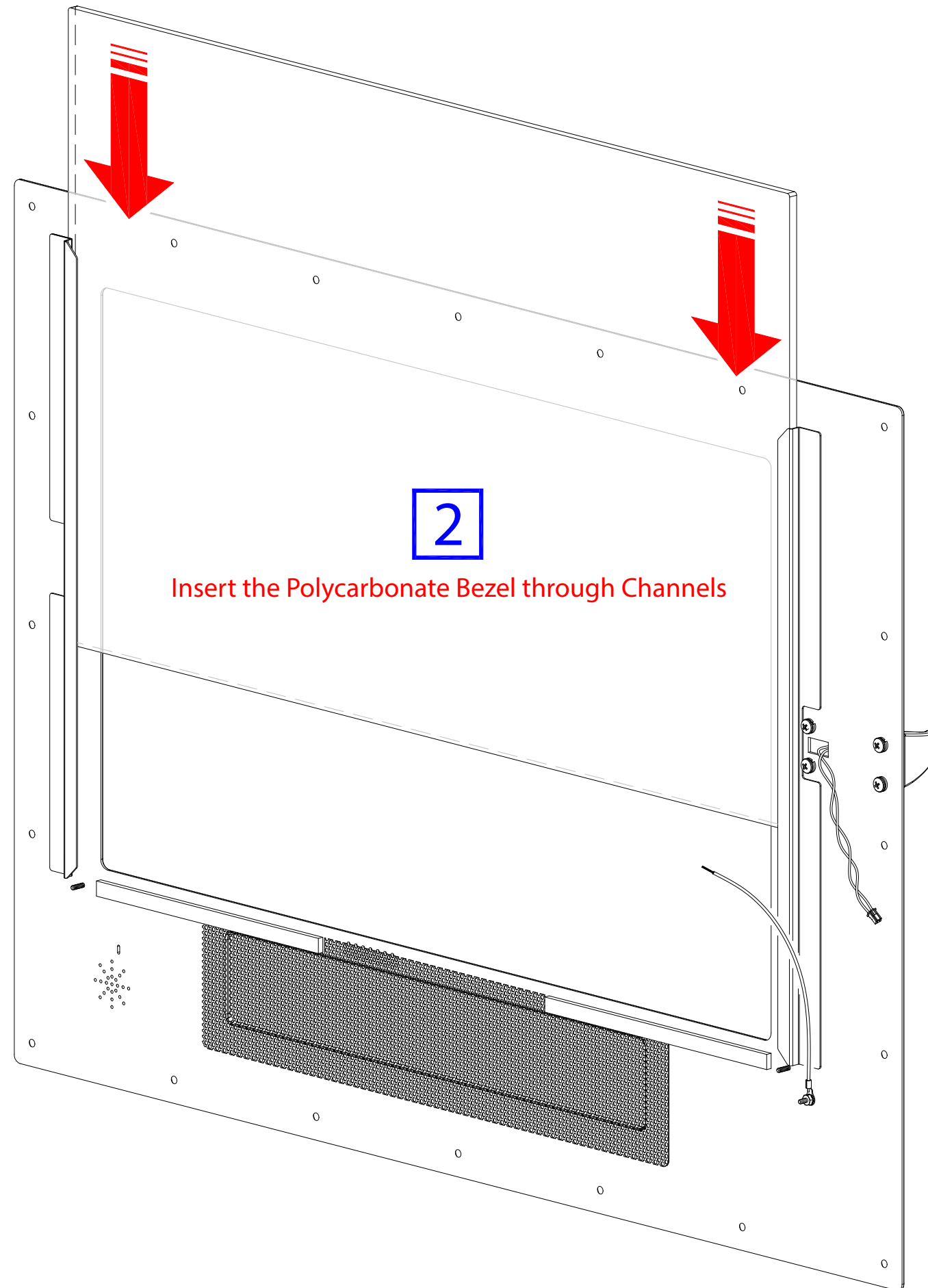
- Due to the size and mass of this product, it is important that the Backbox is safely installed according to these installation instructions.
- Make sure that the type of wall is capable of supporting the system and use screws that are suitable for that type of wall.
- The system must be installed by qualified personnel, in accordance with state and local building regulations.
- See also Desk Pro Conduit and Wall Mounting Diagram.



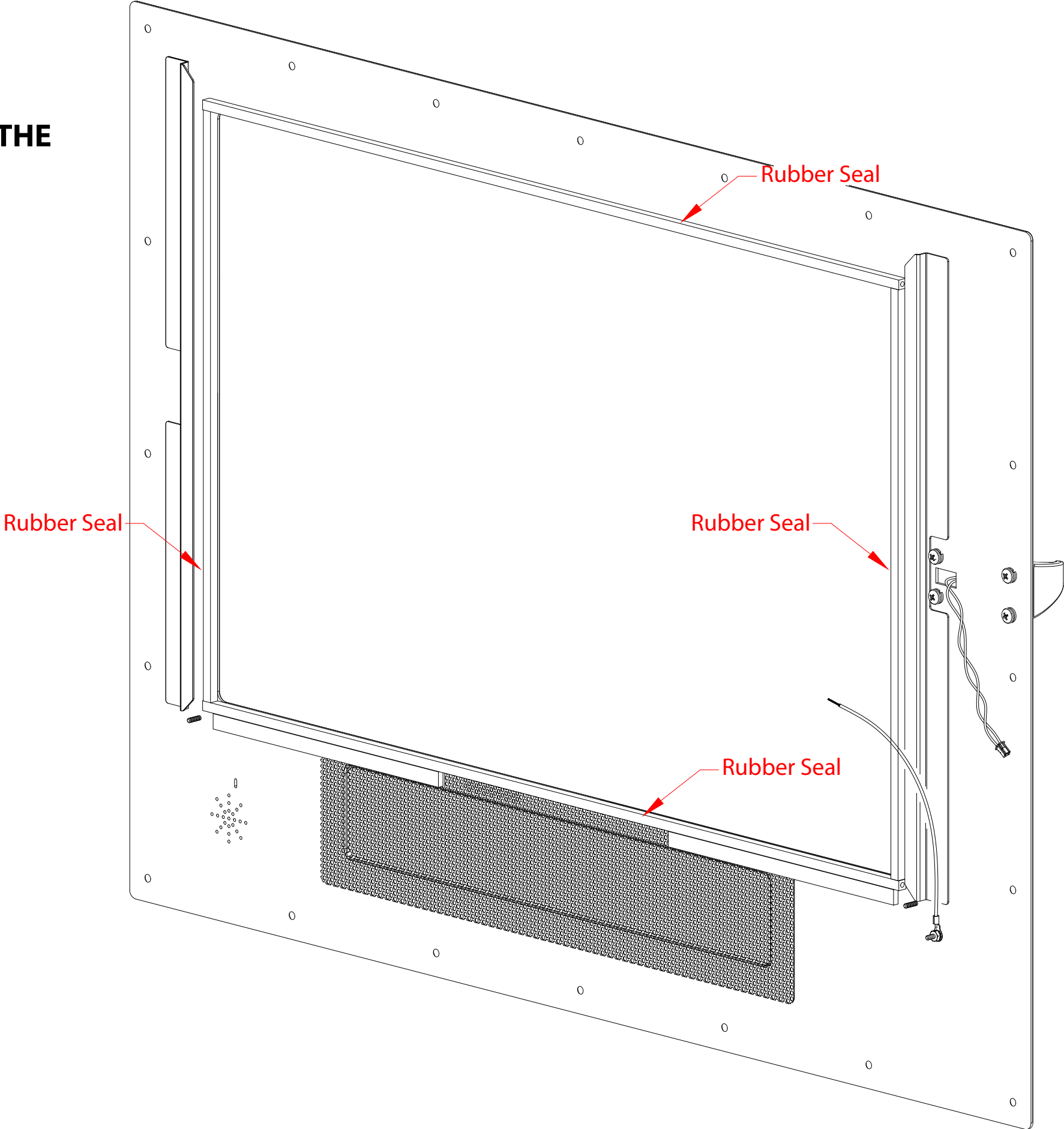
1

Remove protective films from both sides
of the Polycarbonate Bezel

**011547 SETUP
(INSTALL THE POLYCARBONATE BEZEL)**



**011546 (TOUCHSCREEN VERSION) HAVE THE
RUBBER SEAL INSTALLED**



**CONVERT THE 011546 (TOUCHSCREEN VERSION)
TO 011547 (STANDARD NON-TOUCHSCREEN VERSION)**

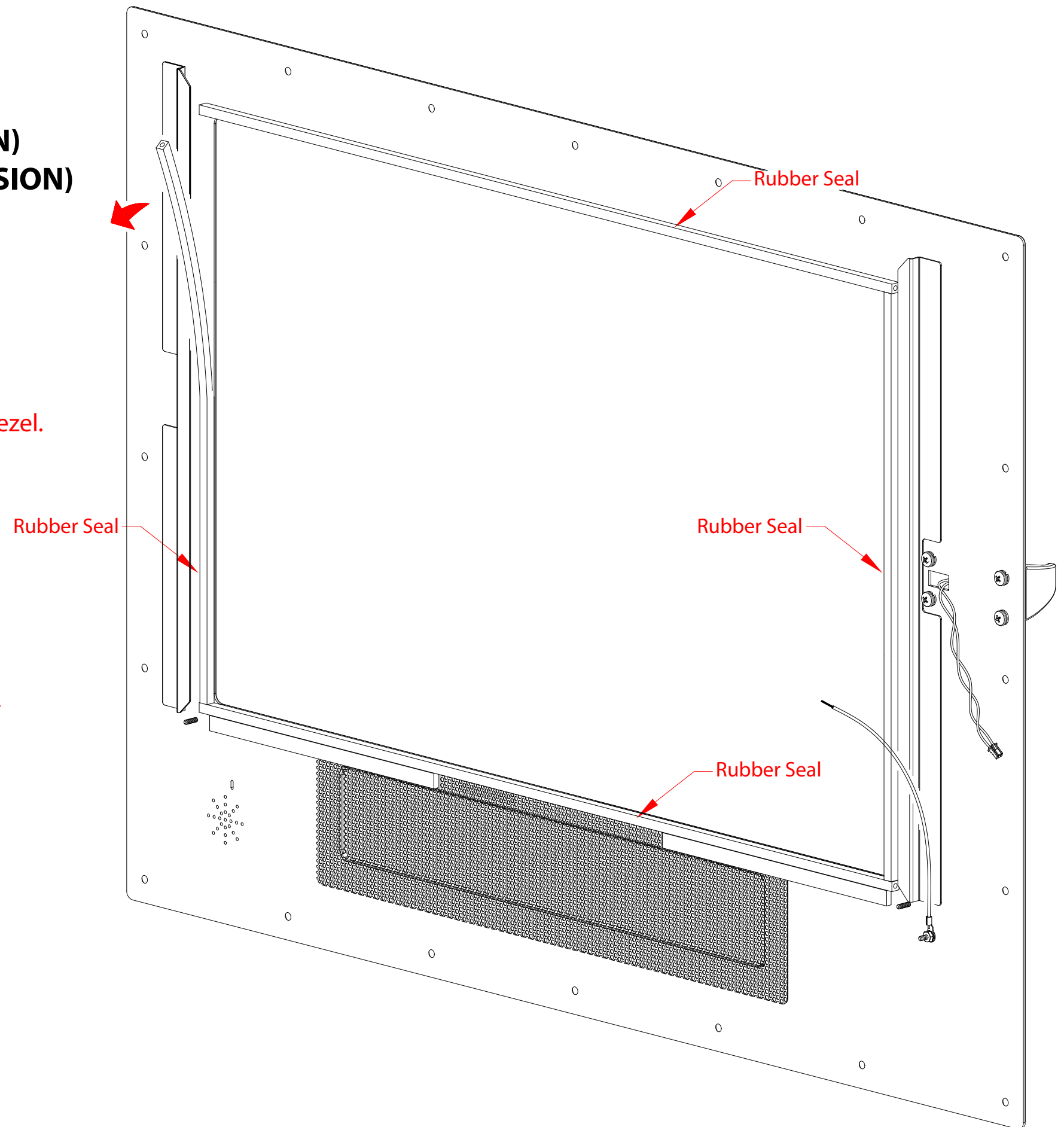
2a

To remove the Rubber Seal and install the Polycarbonate Bezel.

Tool Required:

- 1) Protective Gloves
- 2) Glue Remover
- 3) Scraper
- 4) Cloth / Paper Towel
- 5) Solvent

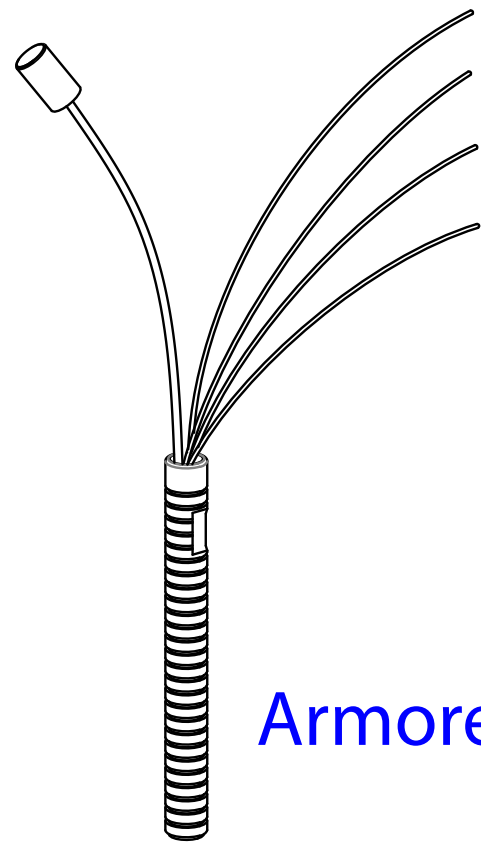
*** Perform this operation in a well ventilation area***



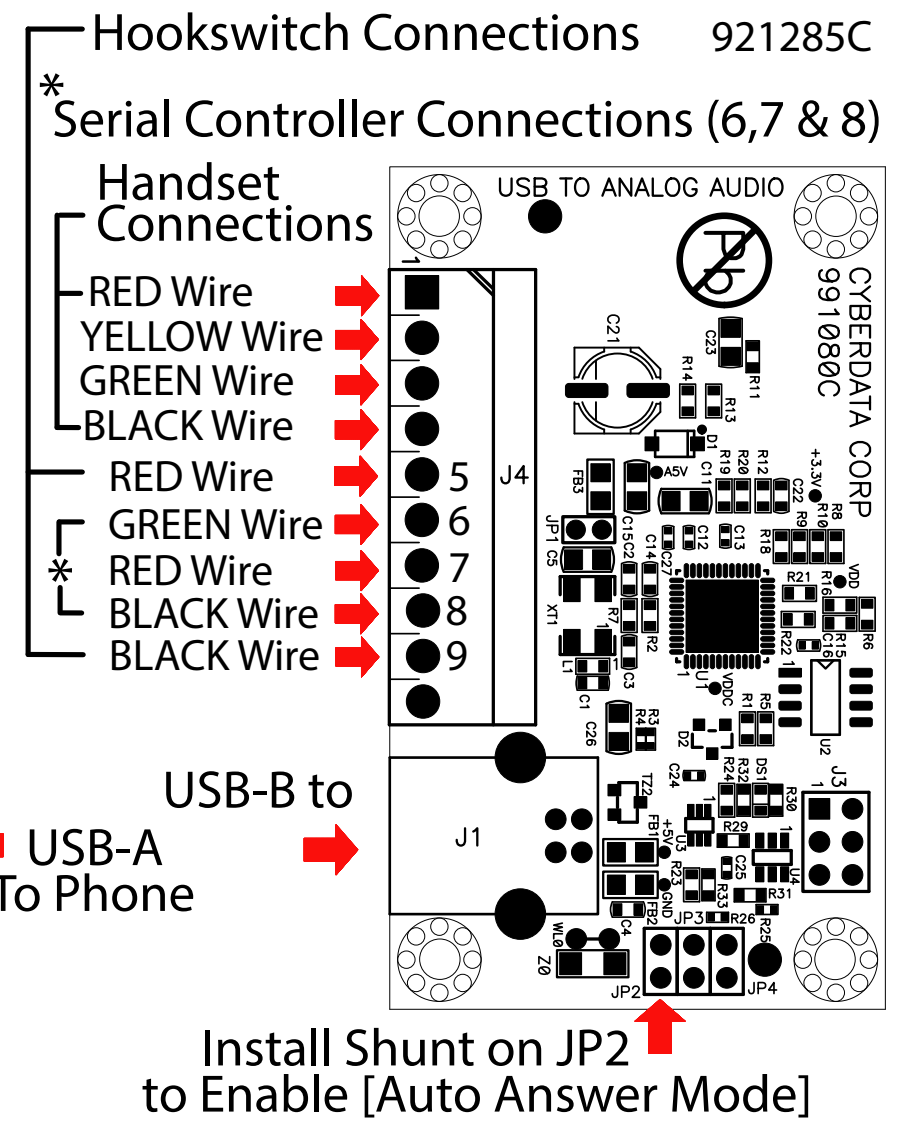
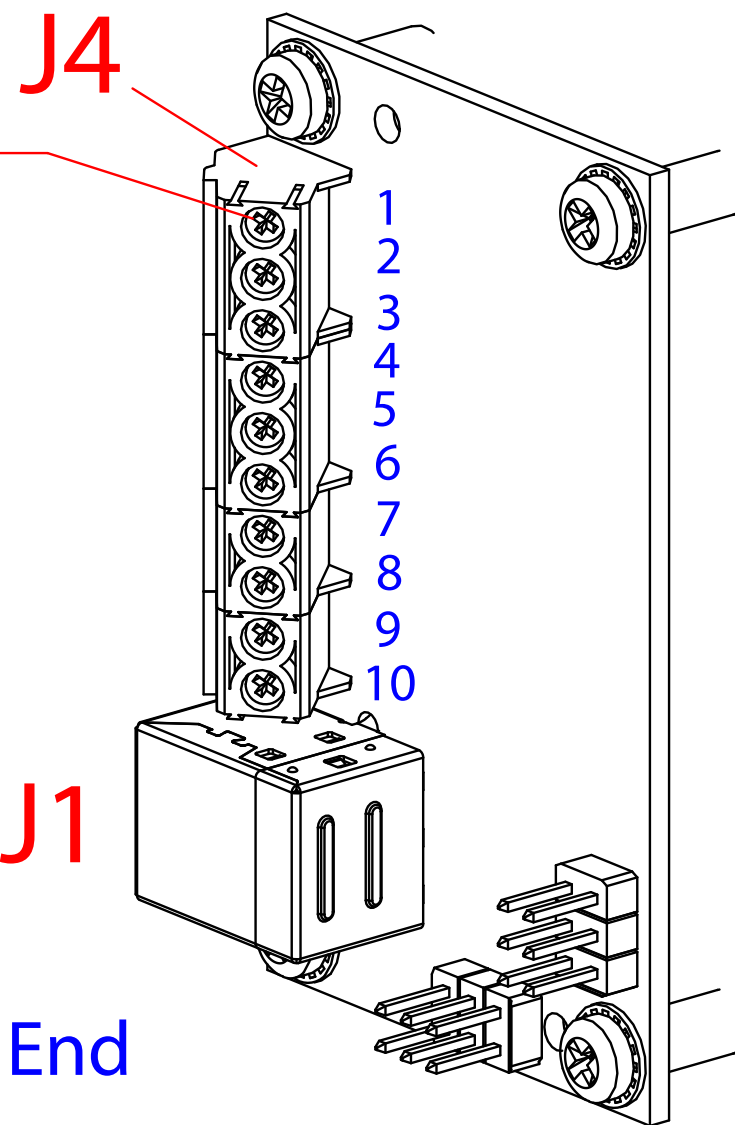
Armored Cord Handset to USB to Analog Audio Module

Tool Provided for Terminal Block Screw:
1) #00 size Phillips Screw Driver

- Red Wire to J4 (Position 1)
- Yellow Wire to J4 (Position 2)
- Green Wire to J4 (Position 3)
- Black Wire to J4 (Position 4)



Armored Cord Handset Wires End



!! WARNING !!

**DO NOT LIFT THE PHONE MOUNT BY ITSELF
LIFT THE PHONE WITH BOTH HANDS INSTEAD**

4

After the Mounting Bracket is Securely Installed.
Lift the Phone with Both Hands then
Install it onto the Backbox.

3

Drop-in the Phone Mount and
slide upward to engage the Latch Mechanism
(It is lock when the Release buttons sprung Back and
You would hear the "Click" sound)

2

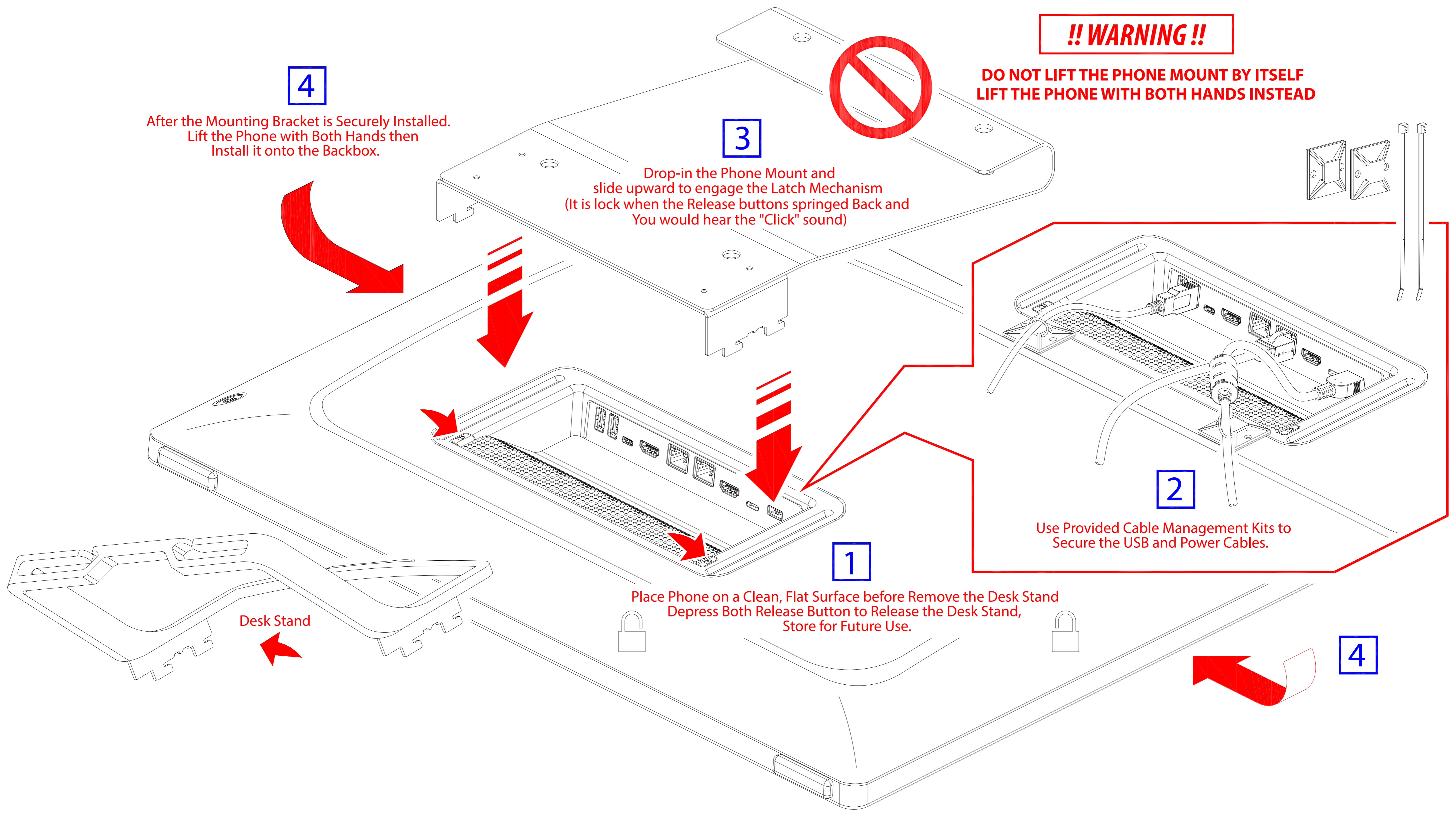
Use Provided Cable Management Kits to
Secure the USB and Power Cables.

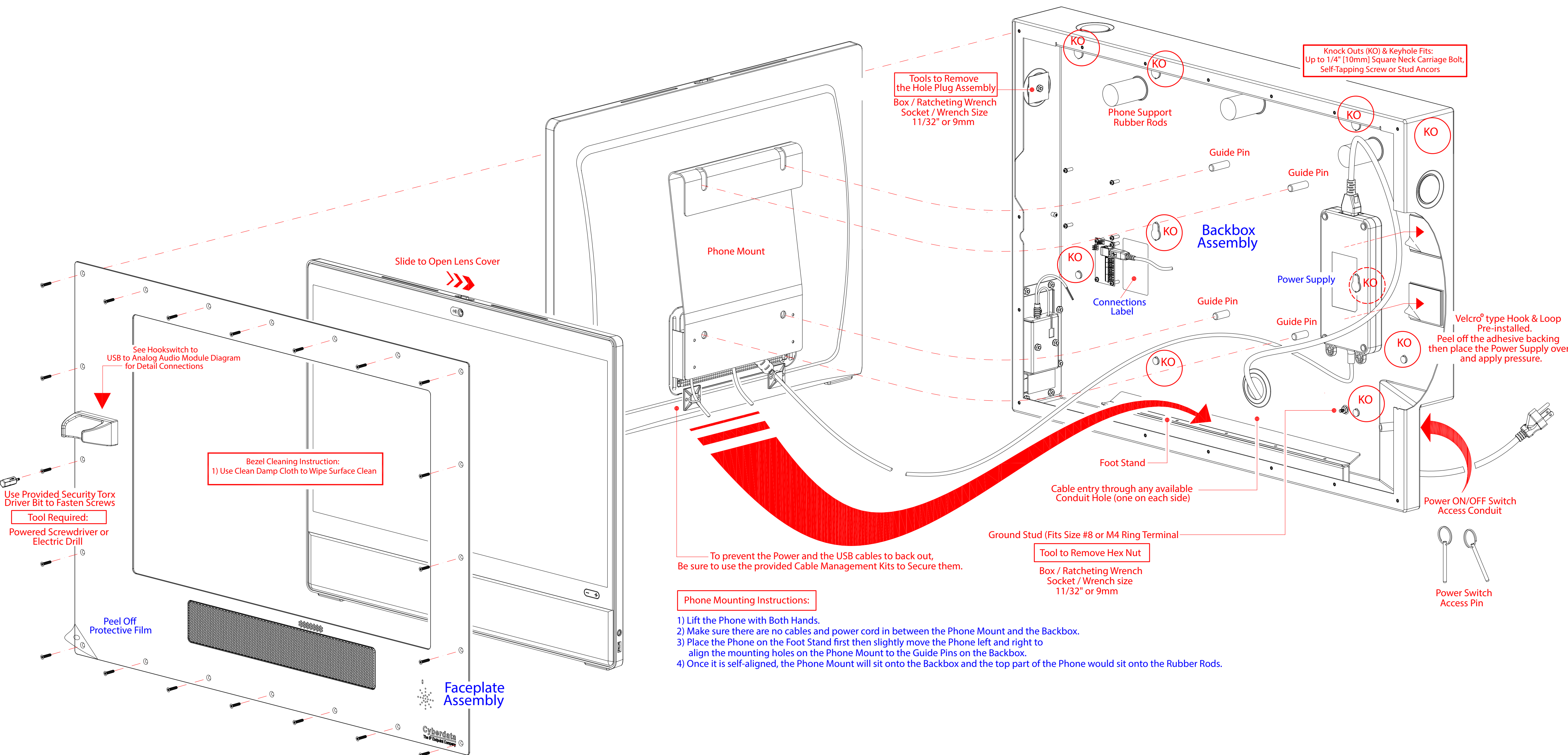
1

Place Phone on a Clean, Flat Surface before Remove the Desk Stand
Depress Both Release Button to Release the Desk Stand,
Store for Future Use.

4

Desk Stand





Knock Outs (KO) & Keyhole Fits:
Up to 1/4" [10mm] Square Neck Carriage Bolt,
Self-Tapping Screw or Stud Anchors

Tools to Remove
the Hole Plug Assembly
Box / Ratcheting Wrench
Socket / Wrench Size
11/32" or 9mm

Slide to Open Lens Cover

Bezel Cleaning Instruction:
1) Use Clean Damp Cloth to Wipe Surface Clean

Use Provided Security Torx
Driver Bit to Fasten Screws
Tool Required:
Powered Screwdriver or
Electric Drill

To prevent the Power and the USB cables to back out,
Be sure to use the provided Cable Management Kits to Secure them.

Phone Mounting Instructions:

- 1) Lift the Phone with Both Hands.
- 2) Make sure there are no cables and power cord in between the Phone Mount and the Backbox.
- 3) Place the Phone on the Foot Stand first then slightly move the Phone left and right to align the mounting holes on the Phone Mount to the Guide Pins on the Backbox.
- 4) Once it is self-aligned, the Phone Mount will sit onto the Backbox and the top part of the Phone would sit onto the Rubber Rods.

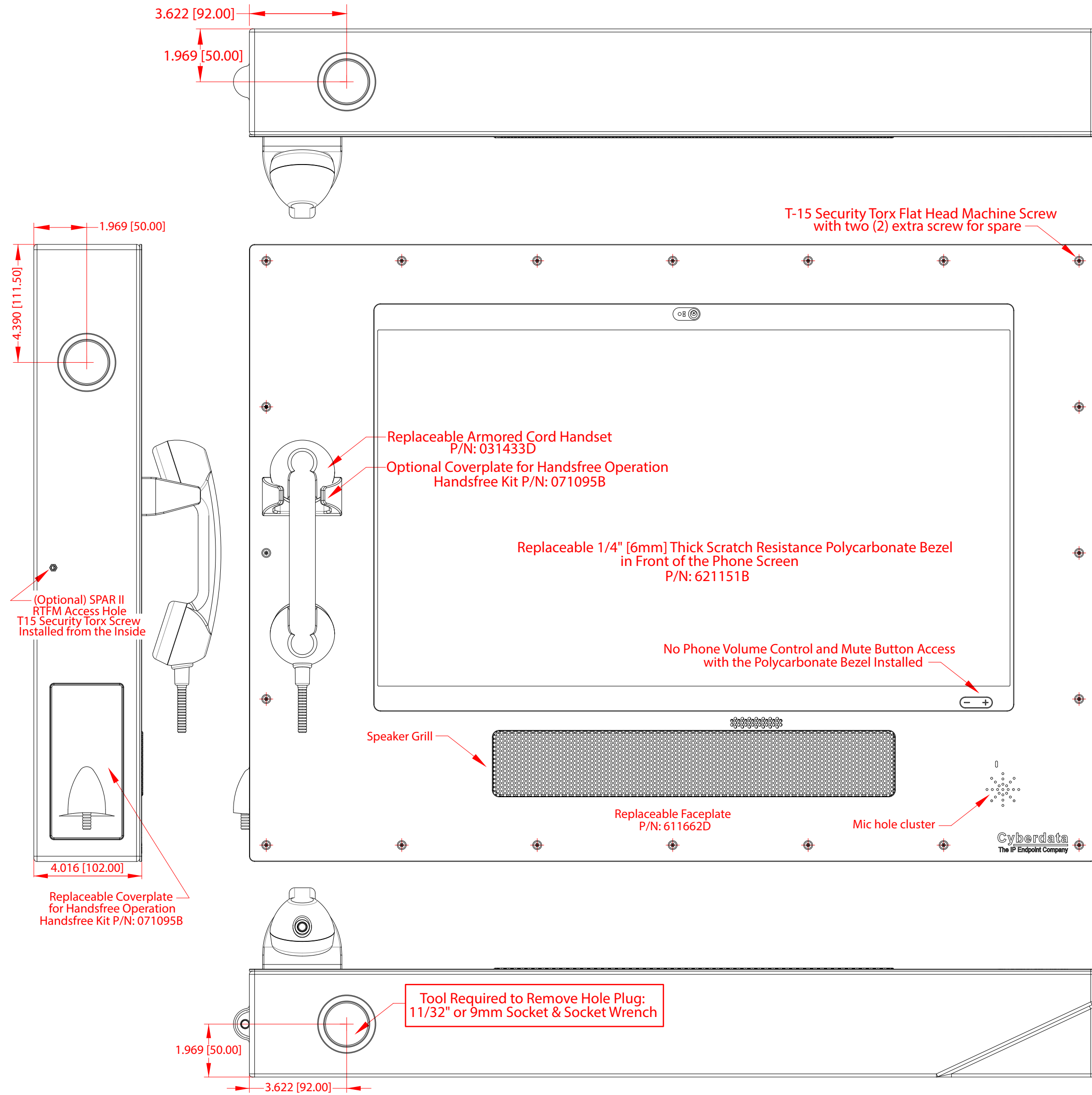
Tool to Remove Hex Nut
Box / Ratcheting Wrench
Socket / Wrench size
11/32" or 9mm

Power Switch
Access Pin

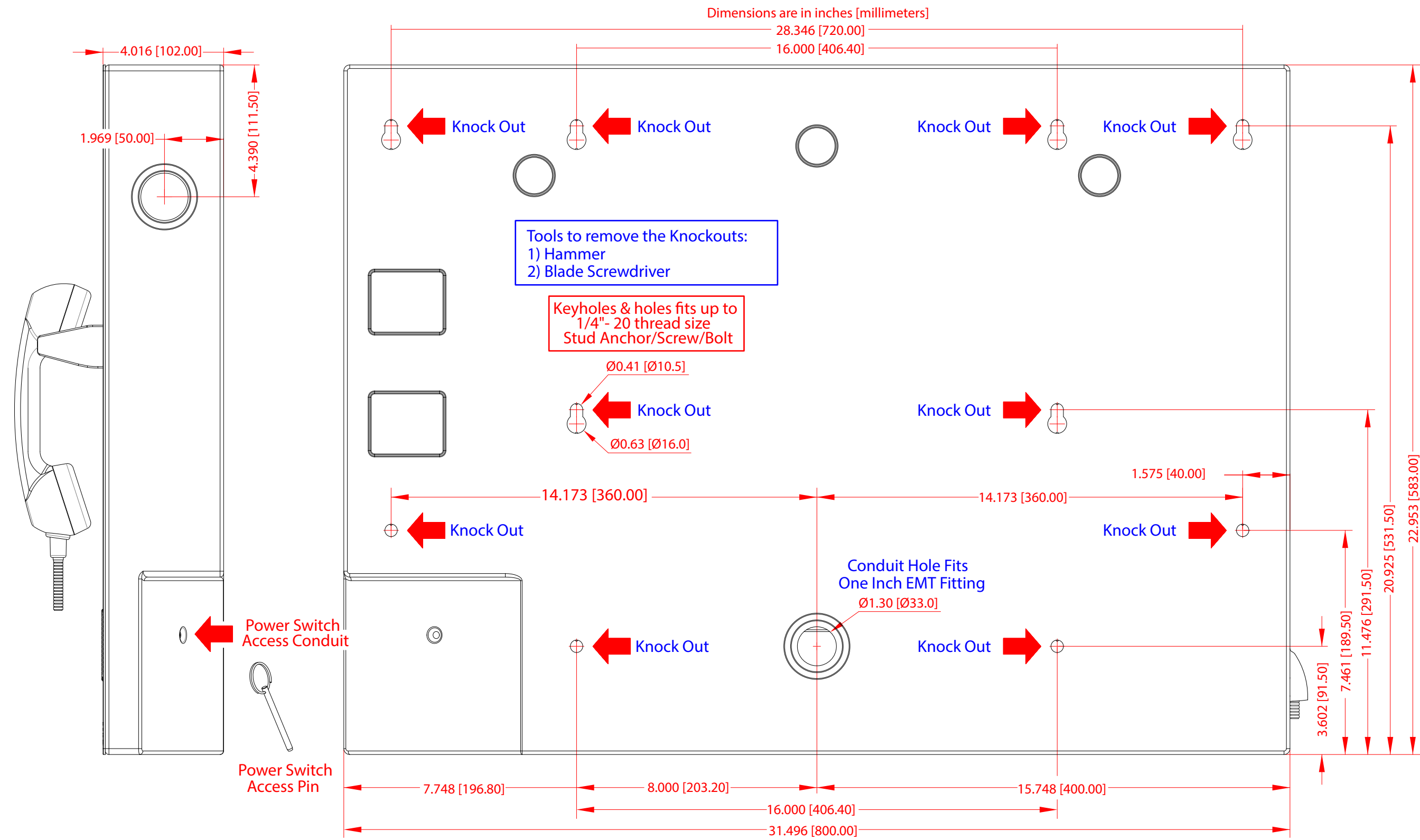
Faceplate
Assembly

Cyberdata
The IP Copied Company

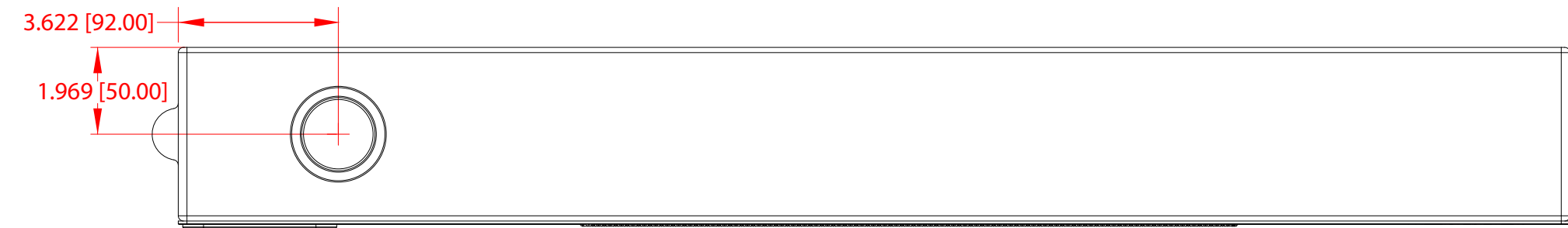
011546 Handset + Touchscreen / 011547 Handset + Non-Touchscreen Version



Cisco Desk Pro Secure Case Features, Conduit and Wall Mounting Diagram



Handsfree / Handsfree + Touchscreen Version



Cisco Desk Pro Secure Case Features, Conduit and Wall Mounting Diagram

