



*Cisco Webex Desk Unit Video Device
Secure Case
Quick Reference Placemat*

Part #011554
Part #011555
Part #011556
Part #011557

Document Part #931880B

Important Safety Information

- **WARNING:** The PoE connector is intended for intra-building connections only and does not route to the outside plant.
- **WARNING:** This enclosure is not rated for any AC voltages!

Contacting CyberData

Corporate Headquarters

CyberData Corporation
3 Justin Court
Monterey, CA 93940, USA

Phone: 831-373-2601
Fax: 831-373-4193
<https://www.cyberdata.net/>

Sales: 831-373-2601 ext. 334
Support: 831-373-2601 ext. 333
Support Website: <https://support.cyberdata.net/>
RMA Department Contact and Status: <https://support.cyberdata.net/>
Warranty Information: <https://support.cyberdata.net/>



Cisco Webex Desk

Do Not Ship Enclosure with Phone Installed
[PHONE MUST BE INSTALLED ON-SITE]

Webex Desk Mounting the Enclosure

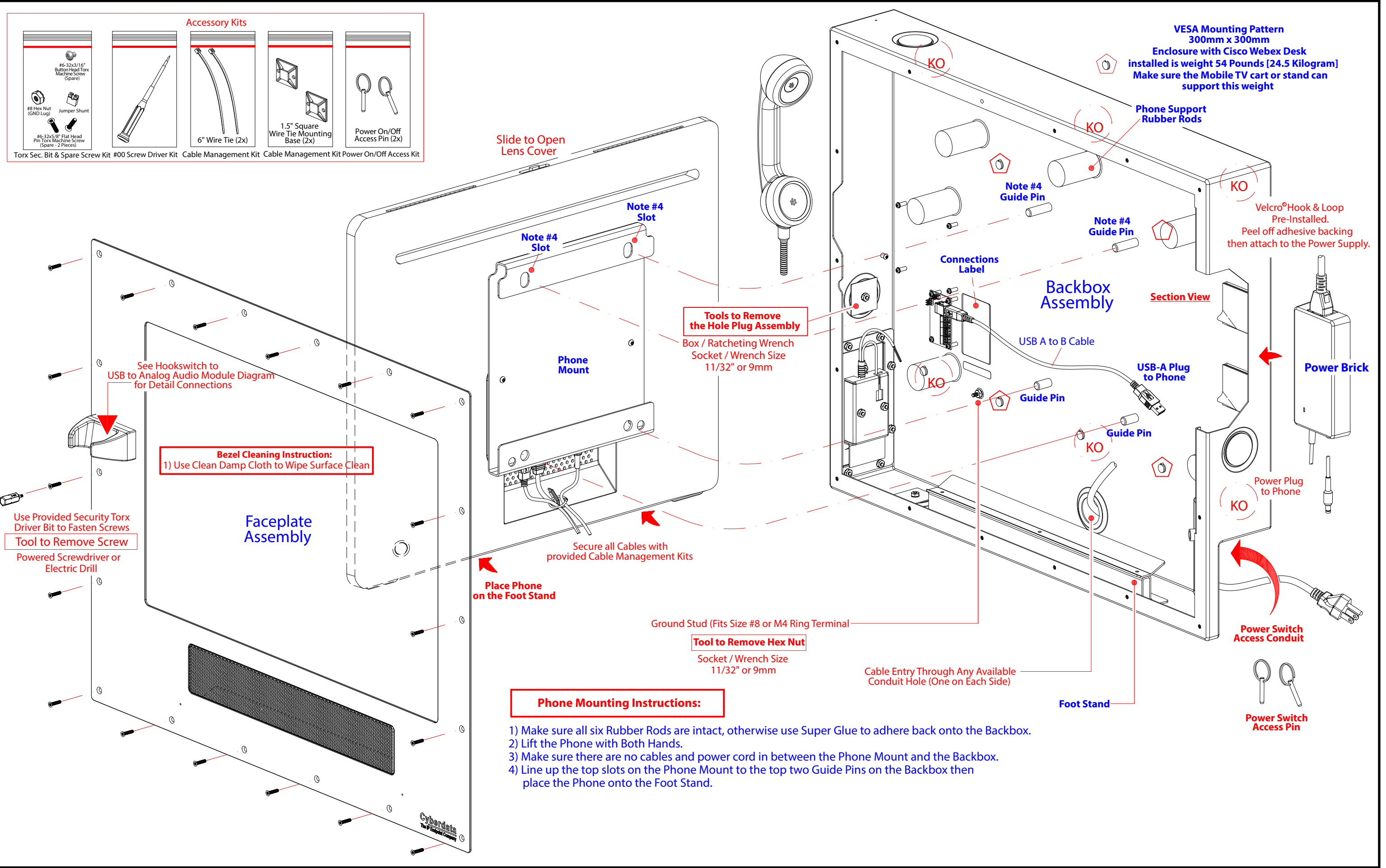
Take into consideration before you install:

- Due to the size and mass of this product, it is important that the Backbox is safely installed according to these installation instructions.
- Make sure that the type of wall is capable of supporting the system and use screws that are suitable for that type of wall.
- The system must be installed by qualified personnel, in accordance with state and local building regulations.
- See also the Webex Desk Conduit and Wall Mounting Diagram.

Accessory Kits

- Torx Sec. Bit & Spare Screw Kit #00 Screw Driver Kit
- Cable Management Kit
- Cable Management Kit Power On/Off Access Kit

VESA Mounting Pattern
300mm x 300mm
Enclosure with Cisco Webex Desk
installed is weight 54 Pounds [24.5 Kilogram]
Make sure the Mobile TV cart or stand can
support this weight



See Hookswitch to
USB to Analog Audio Module Diagram
for Detail Connections

Bezel Cleaning Instruction:
1) Use Clean Damp Cloth to Wipe Surface Clean

Use Provided Security Torx
Driver Bit to Fasten Screws
Tool to Remove Screw
Powered Screwdriver or
Electric Drill

Slide to Open
Lens Cover

**Tools to Remove
the Hole Plug Assembly**
Box / Ratcheting Wrench
Socket / Wrench Size
11/32" or 9mm

**Place Phone
on the Foot Stand**

Secure all Cables with
provided Cable Management Kits

Ground Stud (Fits Size #8 or M4 Ring Terminal)
Tool to Remove Hex Nut
Socket / Wrench Size
11/32" or 9mm

Phone Mounting Instructions:

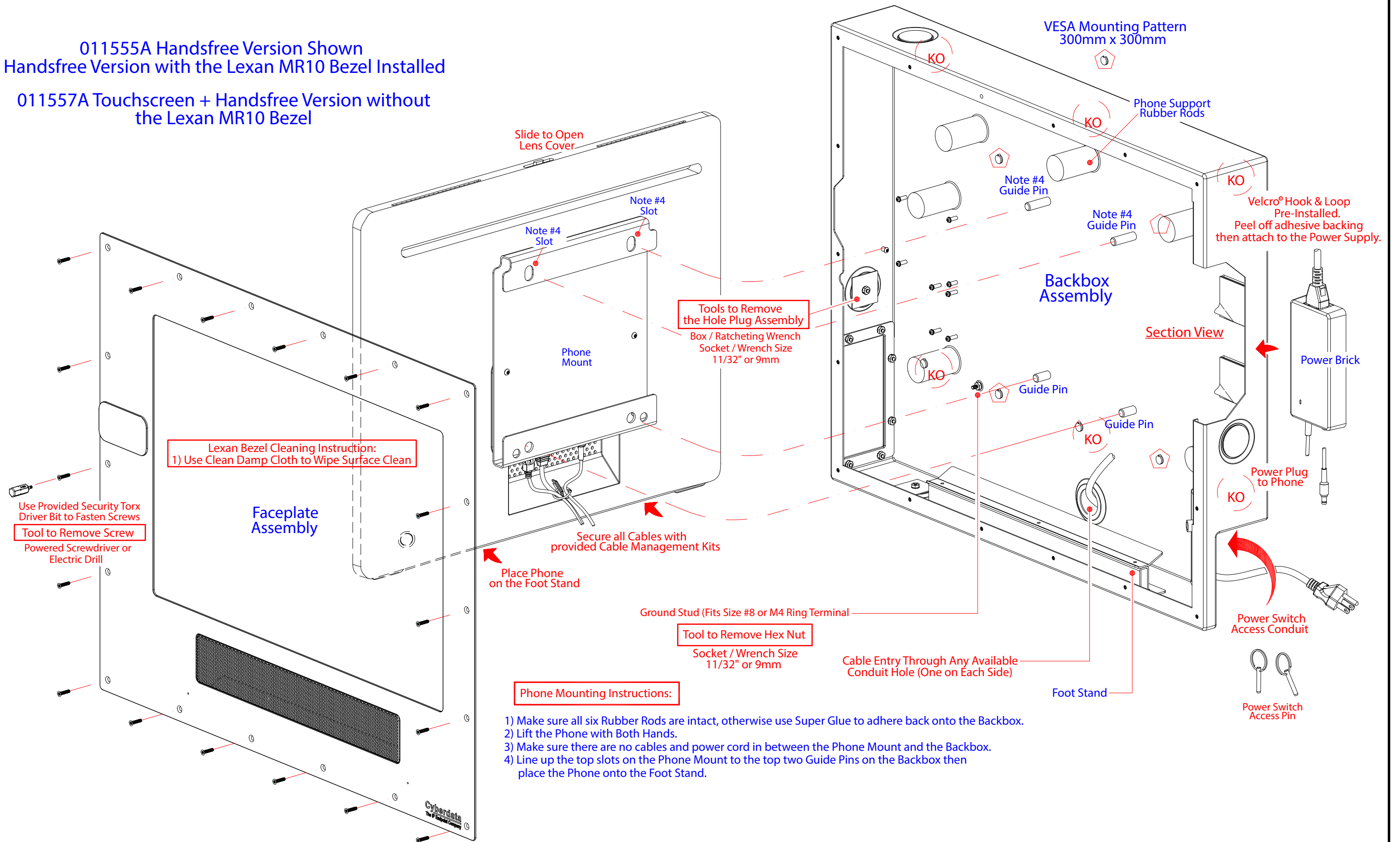
- 1) Make sure all six Rubber Rods are intact, otherwise use Super Glue to adhere back onto the Backbox.
- 2) Lift the Phone with Both Hands.
- 3) Make sure there are no cables and power cord in between the Phone Mount and the Backbox.
- 4) Line up the top slots on the Phone Mount to the top two Guide Pins on the Backbox then place the Phone onto the Foot Stand.

Cable Entry Through Any Available
Conduit Hole (One on Each Side)

**Power Switch
Access Pin**

011555A Handsfree Version Shown
Handsfree Version with the Lexan MR10 Bezel Installed

011557A Touchscreen + Handsfree Version without
the Lexan MR10 Bezel



Lexan Bezel Cleaning Instruction:
1) Use Clean Damp Cloth to Wipe Surface Clean

Use Provided Security Torx Driver Bit to Fasten Screws
Tool to Remove Screw
Powered Screwdriver or Electric Drill

Faceplate Assembly

Slide to Open Lens Cover

Note #4 Slot

Phone Mount

Tools to Remove the Hole Plug Assembly
Box / Ratcheting Wrench Socket / Wrench Size 11/32" or 9mm

Secure all Cables with provided Cable Management Kits

Place Phone on the Foot Stand

Ground Stud (Fits Size #8 or M4 Ring Terminal)

Tool to Remove Hex Nut
Socket / Wrench Size 11/32" or 9mm

Phone Mounting Instructions:

- 1) Make sure all six Rubber Rods are intact, otherwise use Super Glue to adhere back onto the Backbox.
- 2) Lift the Phone with Both Hands.
- 3) Make sure there are no cables and power cord in between the Phone Mount and the Backbox.
- 4) Line up the top slots on the Phone Mount to the top two Guide Pins on the Backbox then place the Phone onto the Foot Stand.

VESA Mounting Pattern 300mm x 300mm

Phone Support Rubber Rods

Note #4 Guide Pin

Note #4 Guide Pin

Backbox Assembly

Section View

Power Brick

Guide Pin

Guide Pin

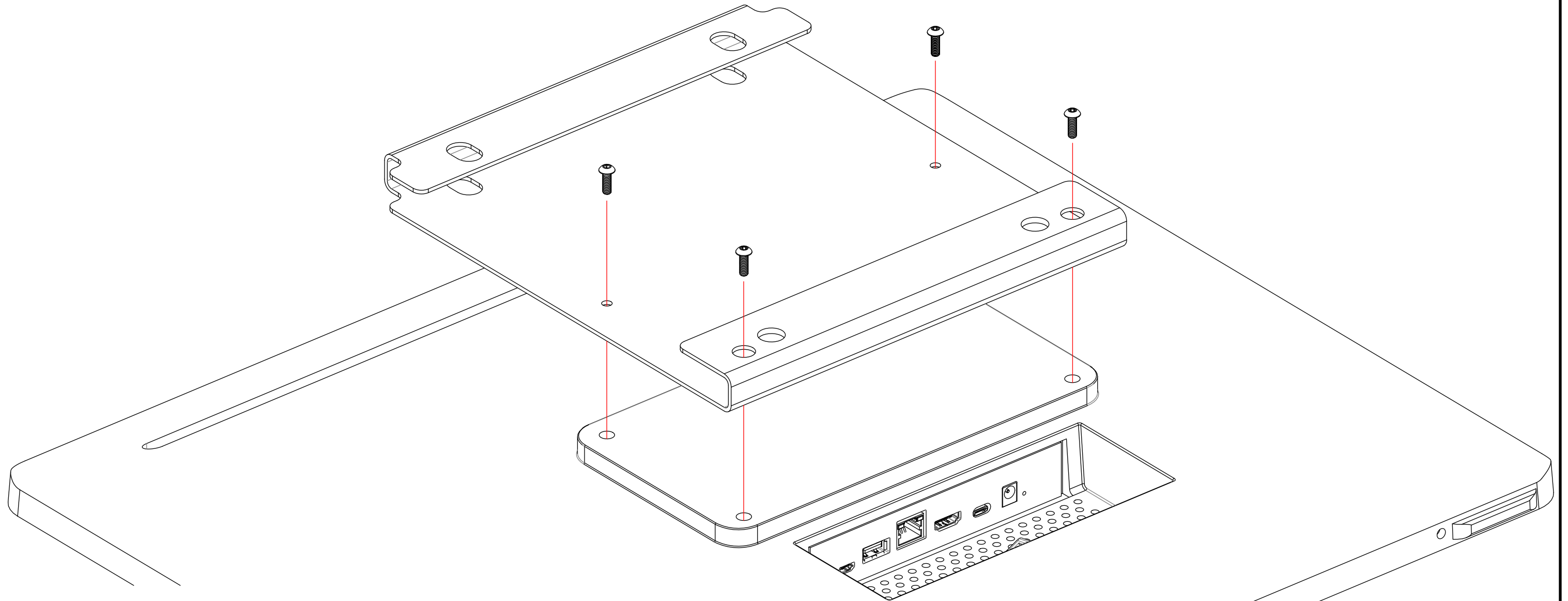
Power Plug to Phone

Power Switch Access Conduit

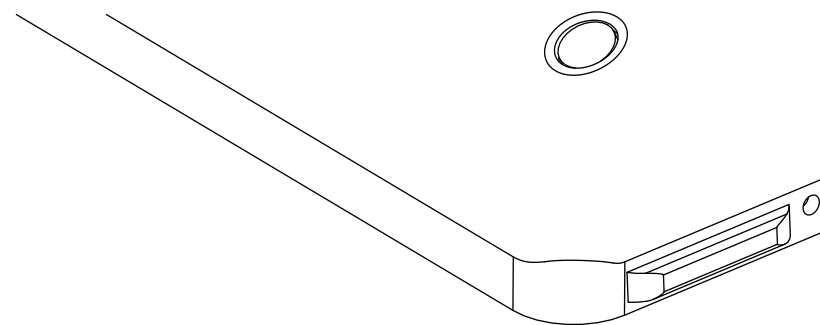
Foot Stand

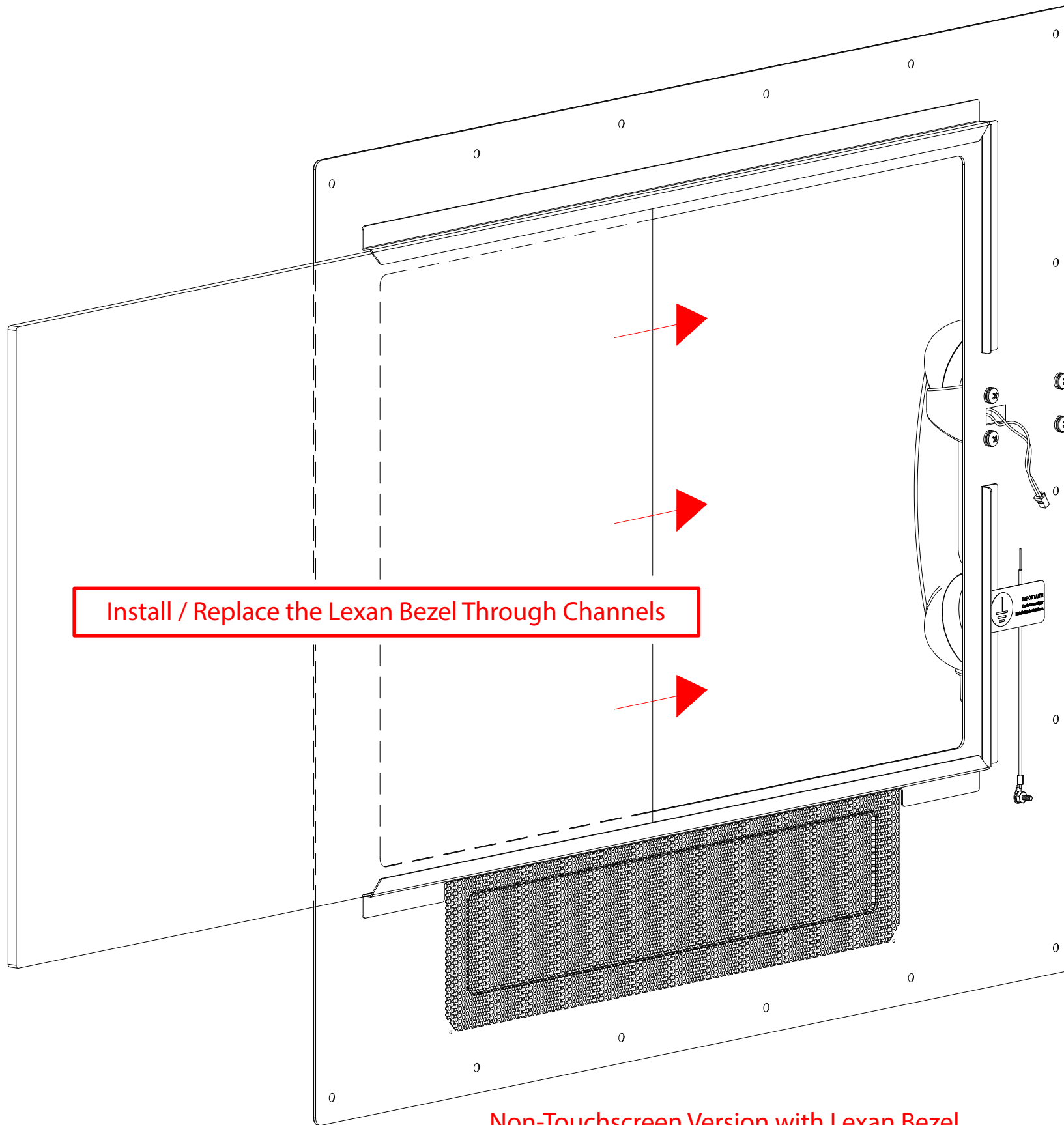
Power Switch Access Pin

Cyberdata



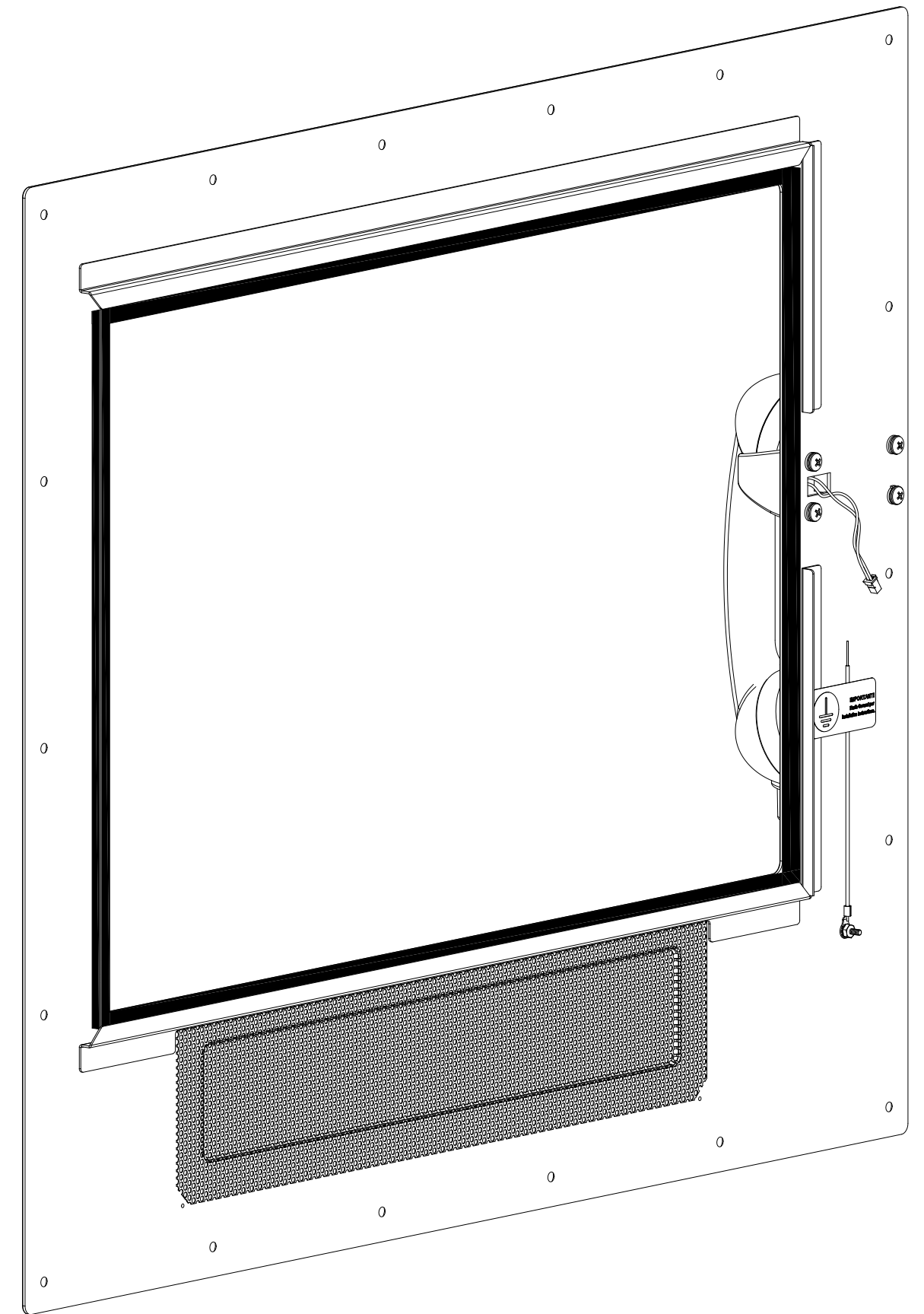
- 1) Place the Cisco Webex Desk onto a clear and flat surface.
- 2) Remove the four screw from the back of the Webex Desk.
- 3) Use the screws to install the Phone Mount.





Install / Replace the Lexan Bezel Through Channels

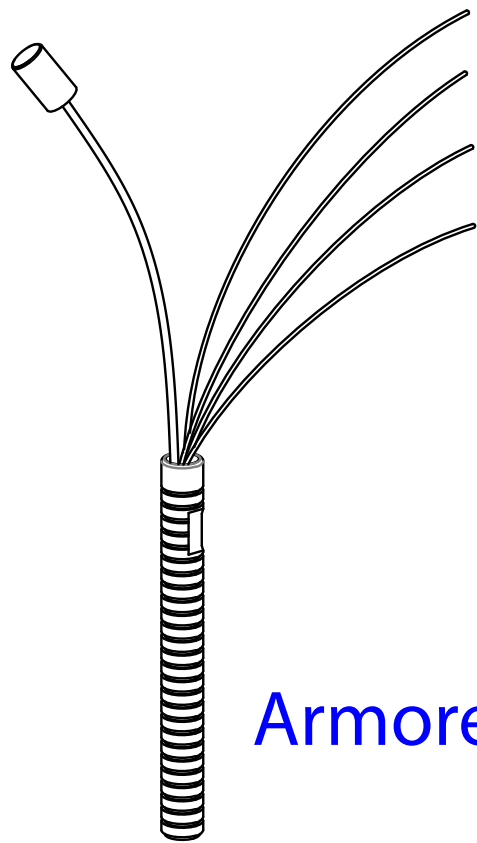
Non-Touchscreen Version with Lexan Bezel



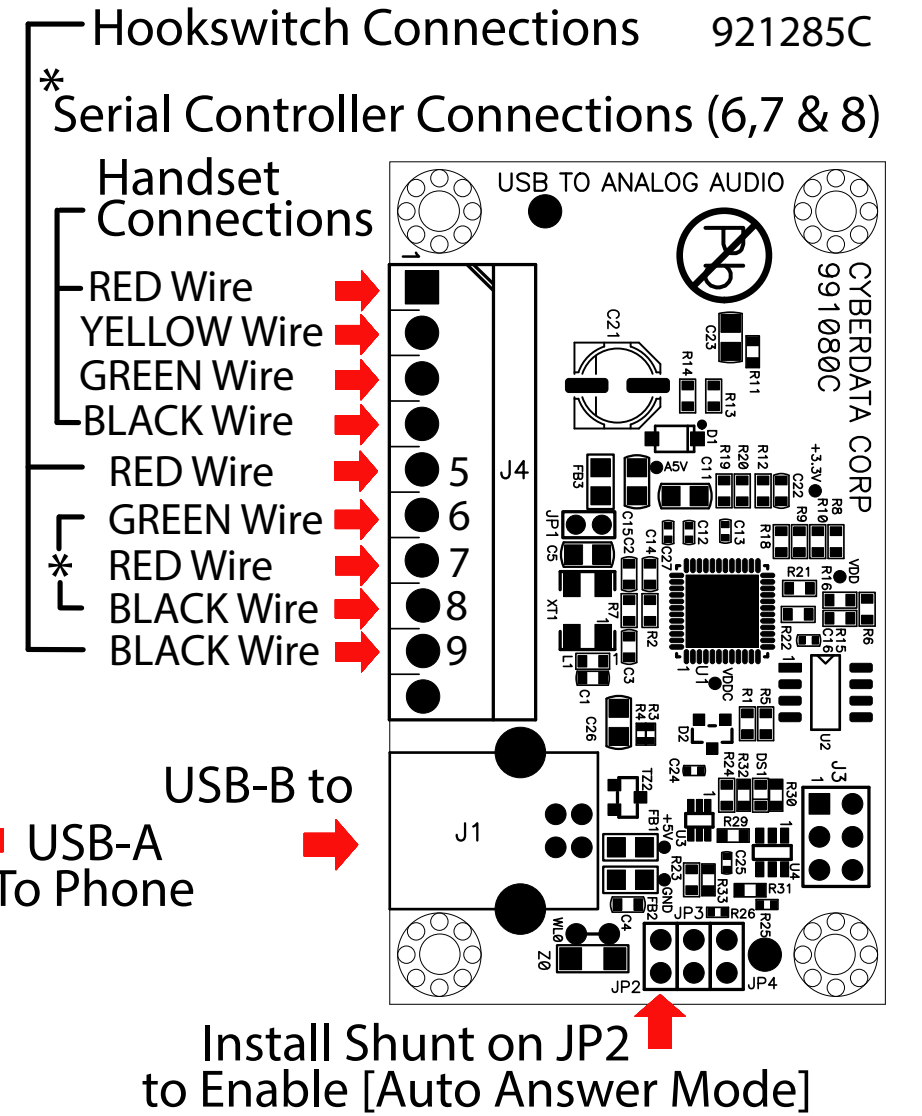
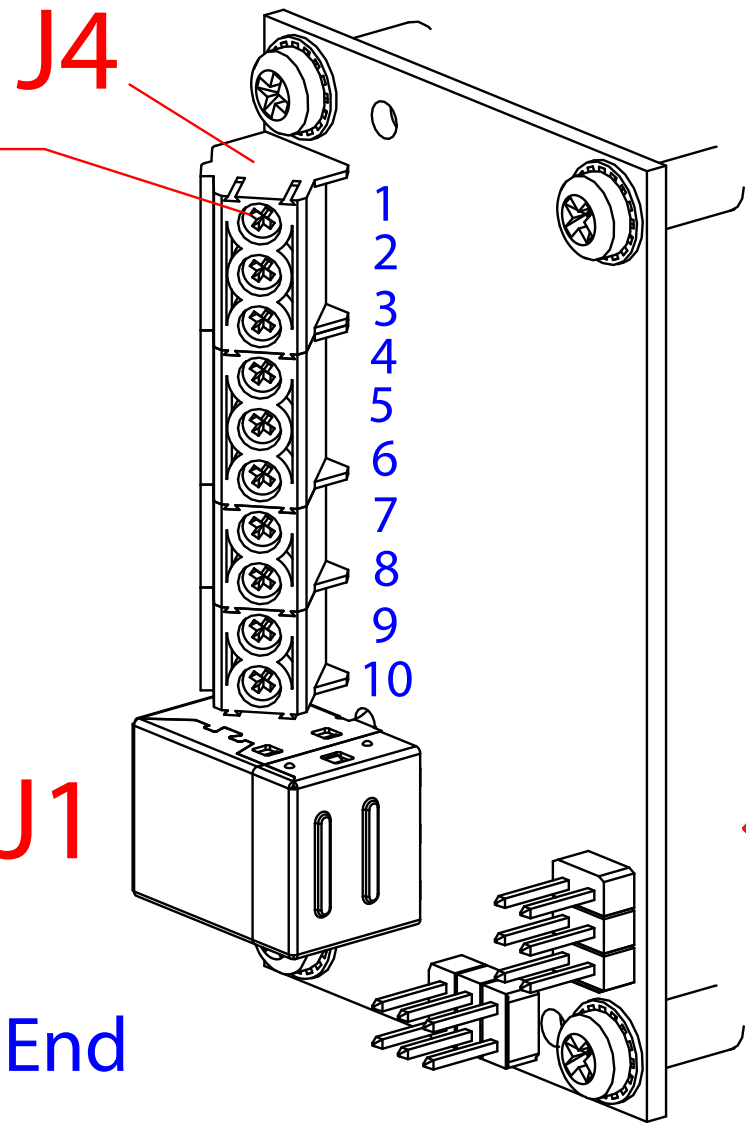
Touchscreen Access with Rubber Seal Around the Phone Screen

Armored Cord Handset to USB to Analog Audio Module

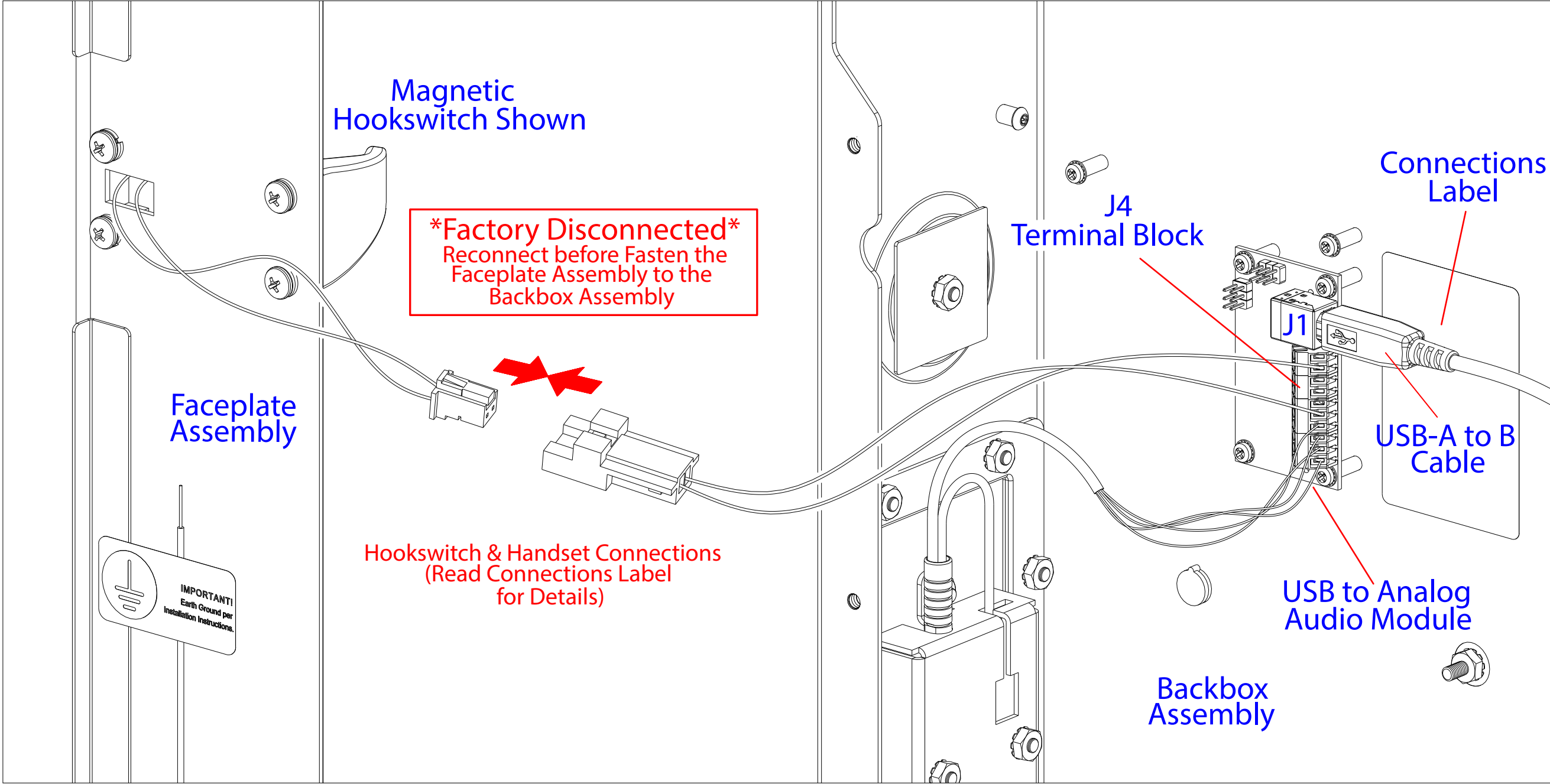
Tool Provided for Terminal Block Screw:
1) #00 size Phillips Screw Driver



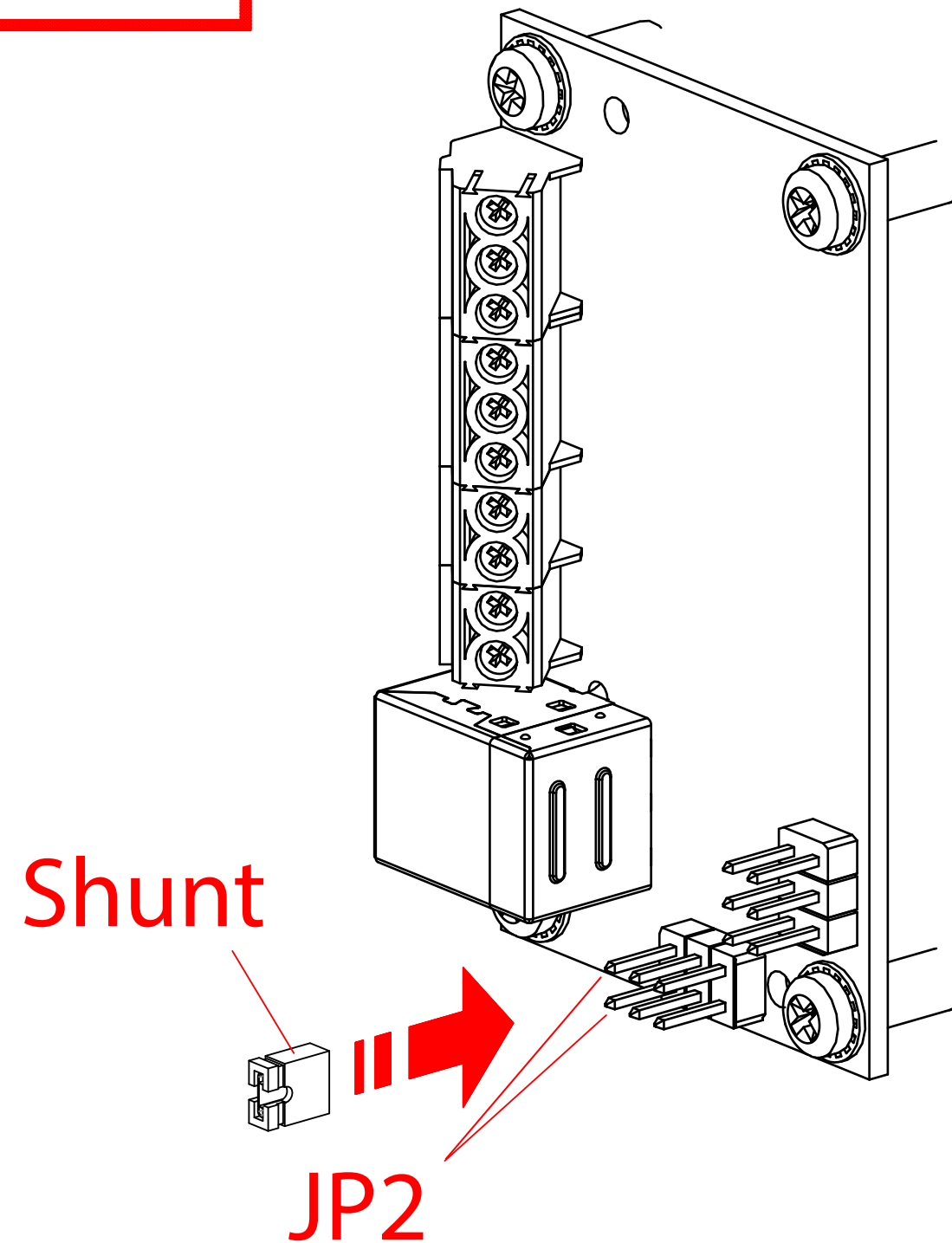
Red Wire to J4 (Position 1)
Yellow Wire to J4 (Position 2)
Green Wire to J4 (Position 3)
Black Wire to J4 (Position 4)



Hookswitch Wires to
USB to Analog Audio Module Connections



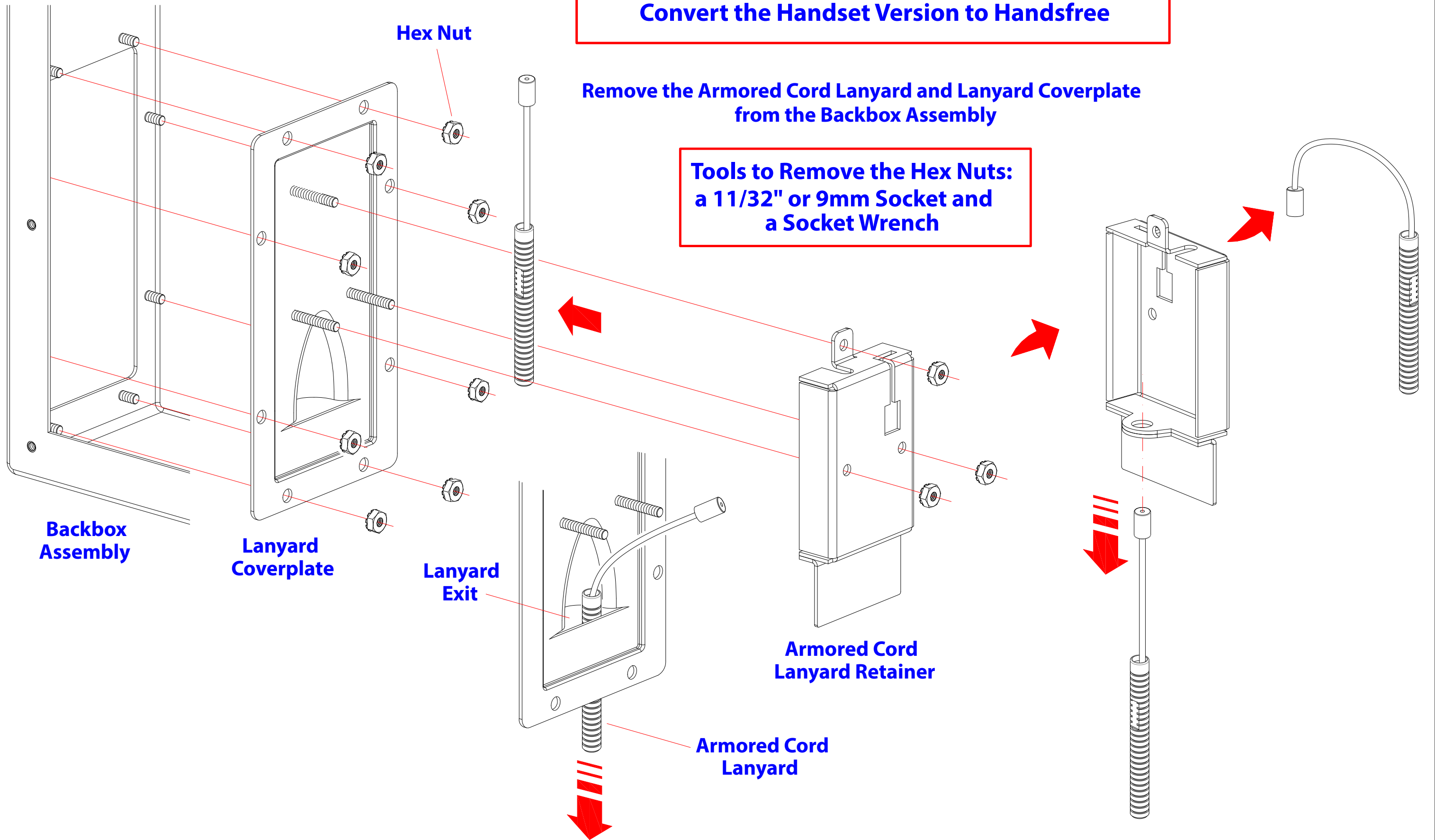
Install Shunt on JP2
to Enable Auto Answer Mode



Convert the Handset Version to Handsfree

Remove the Armored Cord Lanyard and Lanyard Coverplate from the Backbox Assembly

**Tools to Remove the Hex Nuts:
a 11/32" or 9mm Socket and
a Socket Wrench**



Backbox Assembly

Lanyard Coverplate

Hex Nut

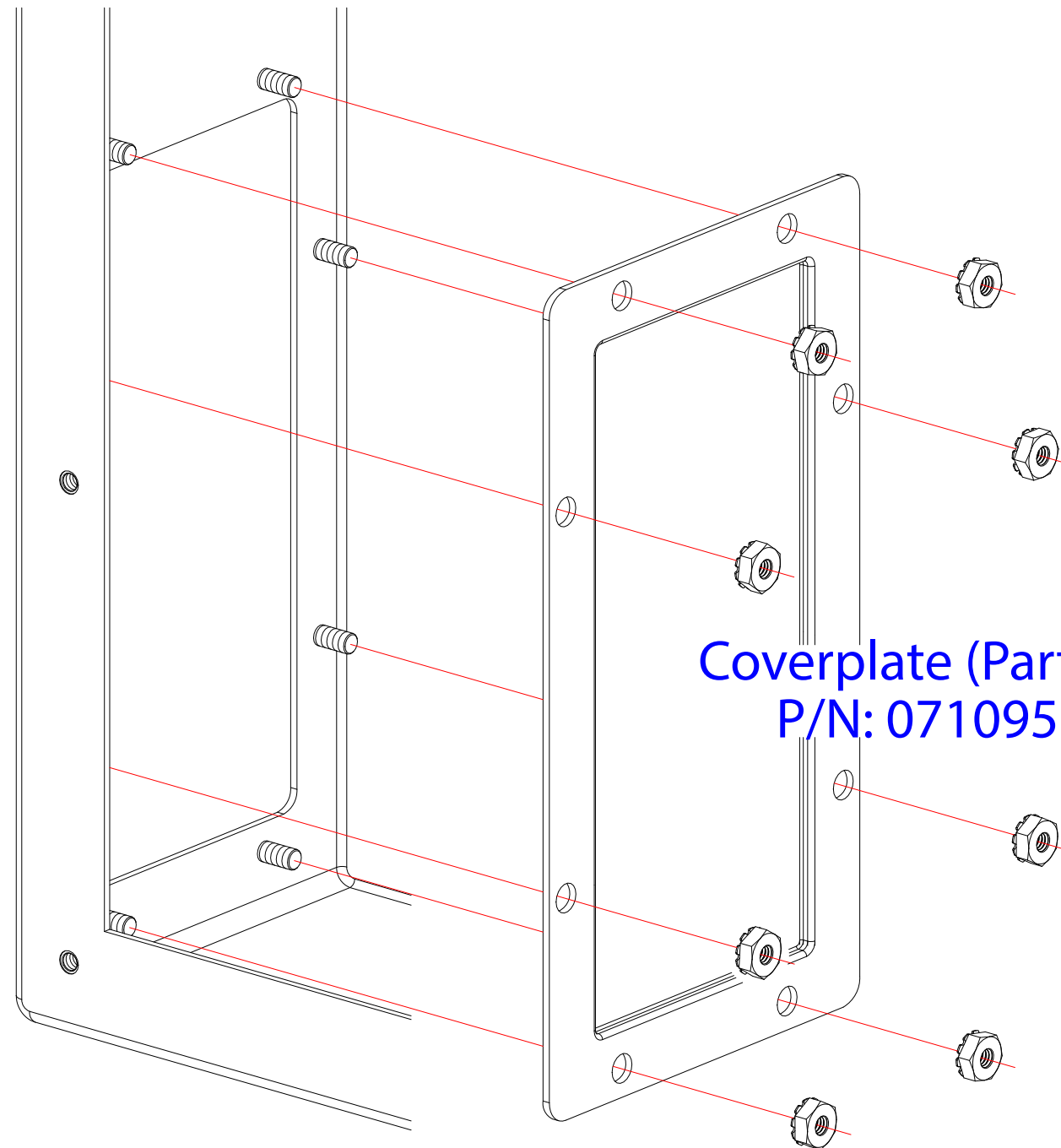
Lanyard Exit

Armored Cord Lanyard Retainer

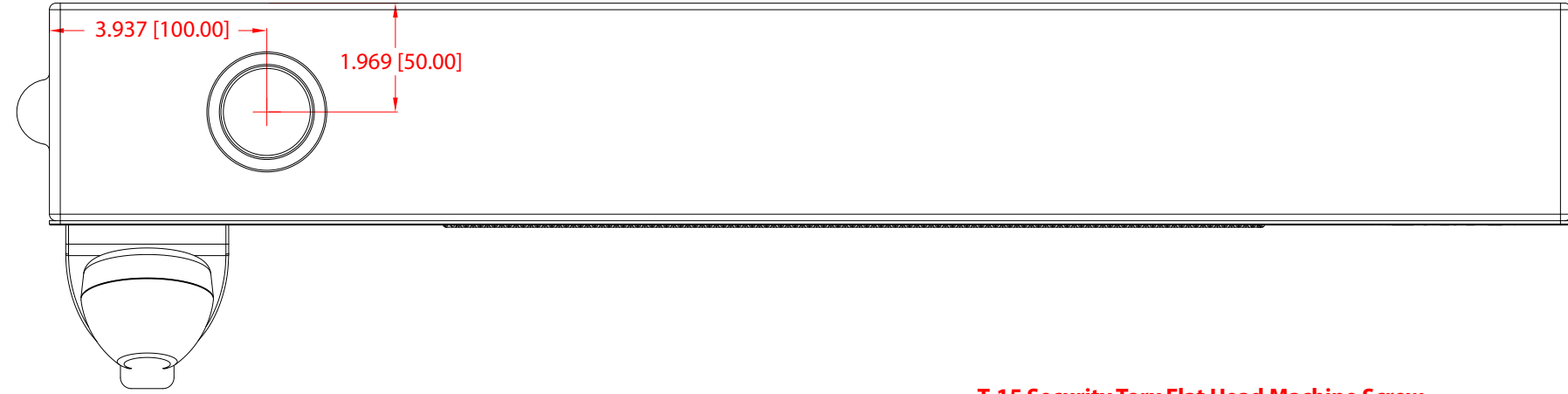
Armored Cord Lanyard

Convert the Handset Version to Handsfree

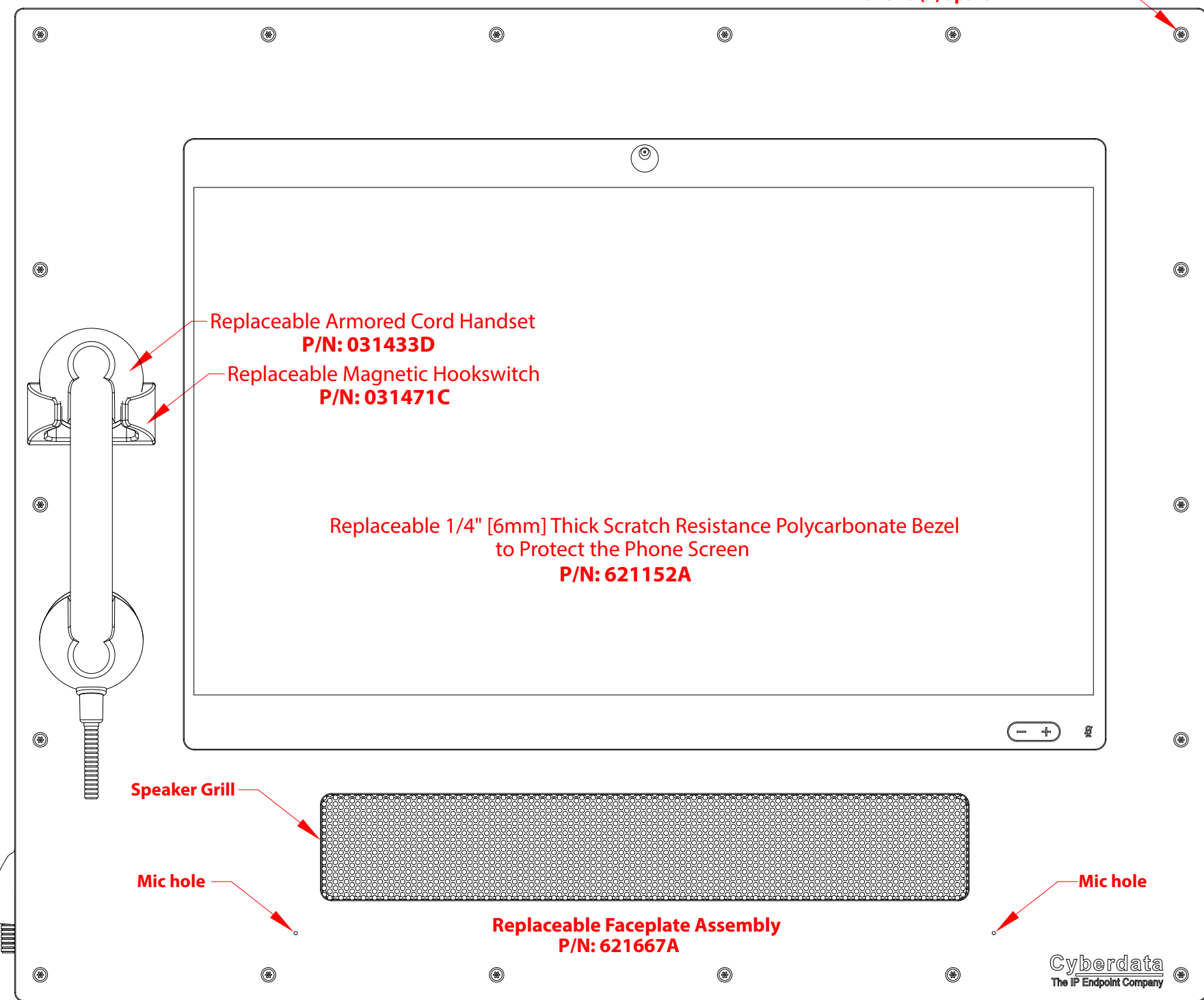
Install the Coverplate to the Modular Panel Cutout



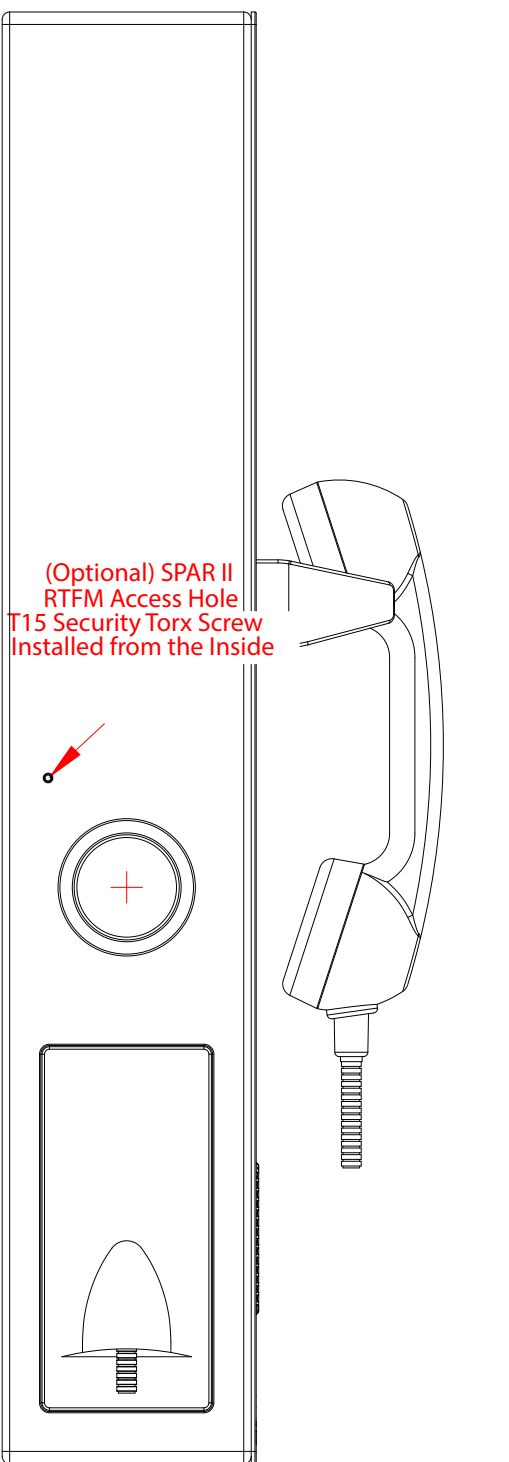
**Coverplate (Part of the Accessory Kit,
P/N: 071095B - Sold Separately)**



T-15 Security Torx Flat Head Machine Screw with two (2) Spare



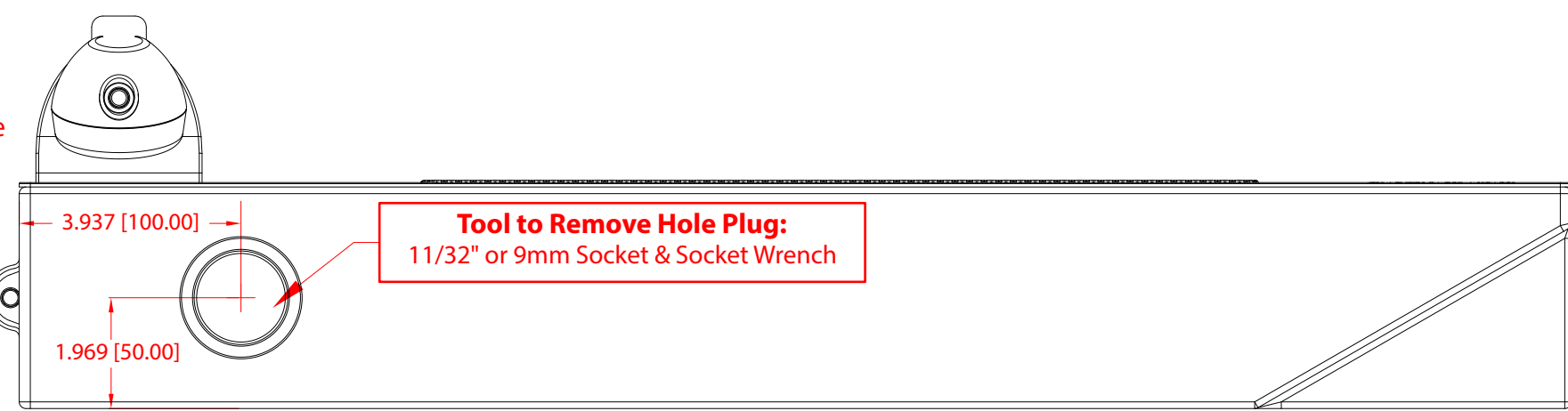
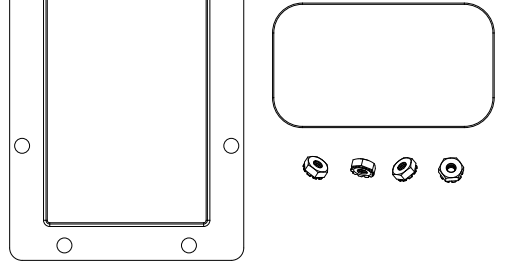
Cyberdata
The IP Endpoint Company



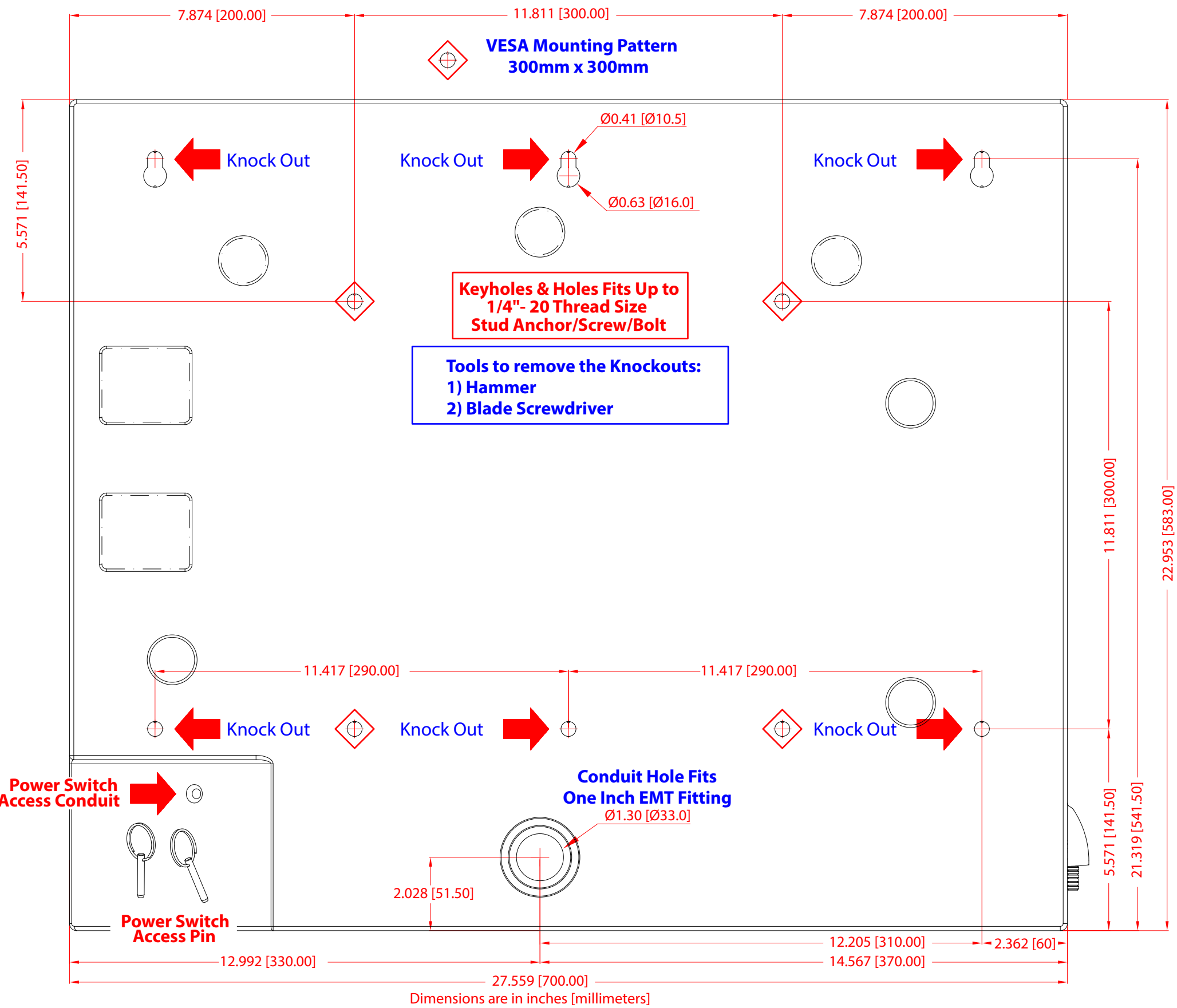
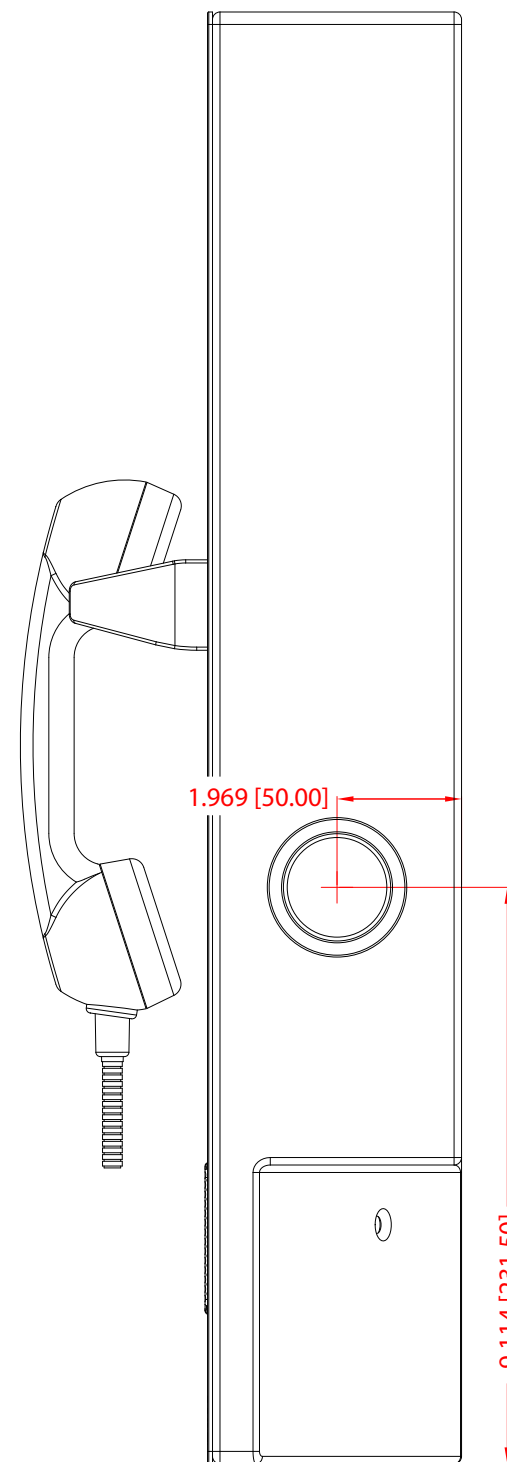
(Optional) SPAR II RTFM Access Hole
T-15 Security Torx Screw
Installed from the Inside

Handsfree Kit
P/N: 071095B
Sold Separately

Part List:
1 x Side Panel Coverplate
1 x Hookswitch Coverplate
4 x Hex Nut



Tool to Remove Hole Plug:
11/32" or 9mm Socket & Socket Wrench



VESA Mounting Pattern
300mm x 300mm

Keyholes & Holes Fits Up to
1/4"- 20 Thread Size
Stud Anchor/Screw/Bolt

Tools to remove the Knockouts:
1) Hammer
2) Blade Screwdriver

Conduit Hole Fits
One Inch EMT Fitting

Dimensions are in inches [millimeters]

