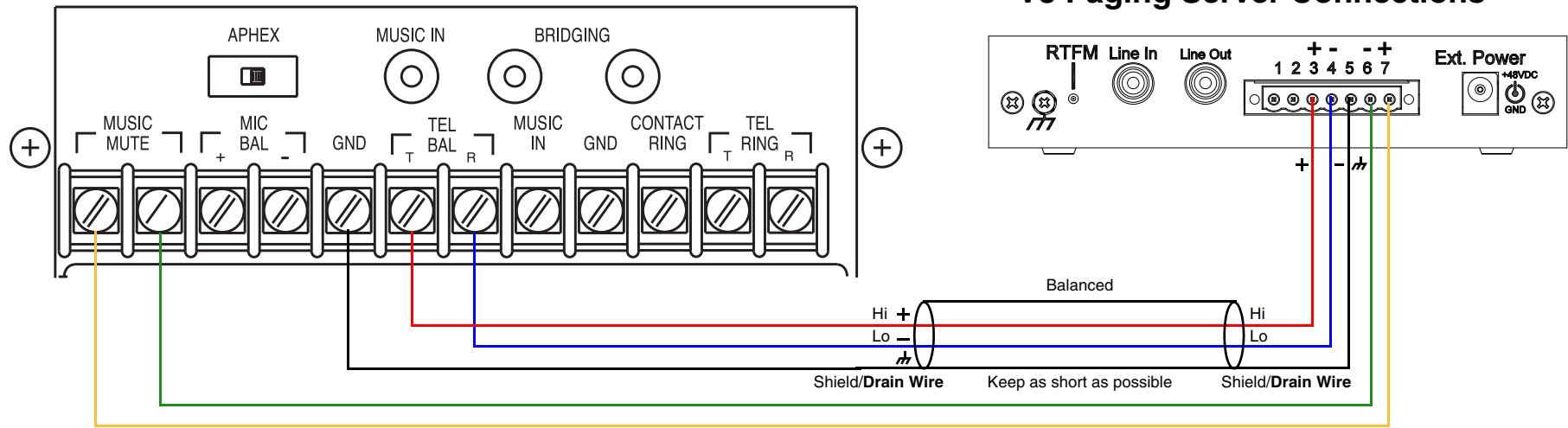


MODEL TPU250 250 WATT AMPLIFIER BOGEN COMMUNICATIONS

V3 Paging Server Connections



Keep the connections as short as possible.

Page Port Output Connections

Pin	Description
1	Fault Sense Input (Common).
2	Fault Sense Input (Sense).
3	Positive 600-Ohm Audio Output ^a
4	Negative 600-Ohm Audio Output ^a
5	Audio Ground Reference.
6	Relay Contact - Common ^b
7	Relay Contact - Normally Open ^b

a. The 600-Ohm audio output of the page port is also suited for interfaces with lower input impedances.

b. 1 Amp at 30 VDC for continuous loads.

Notes:

CyberData V3 Paging Server's Page Port output connects to the TEL Input on the Bogen TPU series amplifier terminal strip.

It will be necessary to use the V3 Paging Server's normally open relay contacts in addition to the Page Port connection to mute background music. Check **Enable relay on local audio** on the **Device Configuration** page of the web interface for contact closure on page.

2 conductor, shielded speaker wire is recommended.