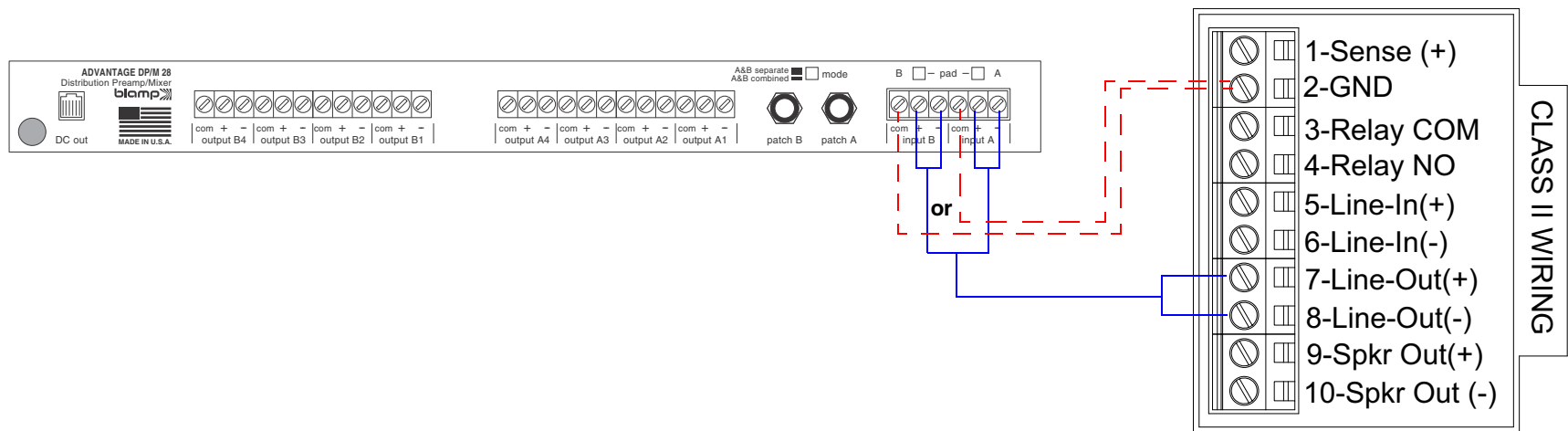


ADVANTAGE DP/M 28 Preamplifier/Mixer

V2 Paging Amplifier Connections



Pad (A & B): When depressed, these switches reduce the signal levels at the respective input channels by 30dB. Use the Pad switches whenever signal levels at the associated input channels exceed the operating range of the front panel Trim controls.

Inputs (A & B): These barrier strip terminals provide two electronically balanced, differential inputs to the DP/M 28. The Inputs are for connection of signals from either microphones or line level devices, and are wired with high to (+), low to (-), and ground to (com). For unbalanced input, wire with high to (+) and ground to both (-) & (com). Phantom Power is assignable on each Input, for operation of condenser microphones (see Modifications/Accessories: +12 Volt Phantom Power on page 5).

Note: For connection to a CyberData device, please **DO NOT** use the Phantom Power option for the port. It will cause damage to the device. Please make sure that Phantom Power is not enabled for the port prior to connecting a CyberData Device and powering the amplifier.

--- = Optional Ground (for line humming reduction)