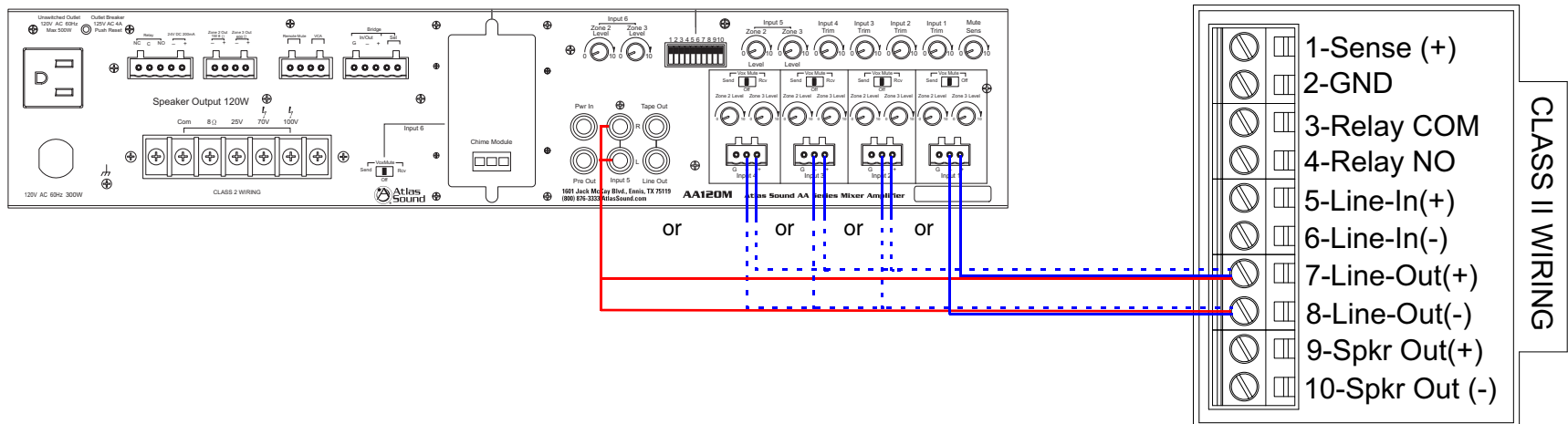


ATLAS AA120M Mixer Amplifier

V2 Paging Amplifier Connections



Notes

1. DIP switches for the desired AA120M input should be set to the “Line” position for line level connections.