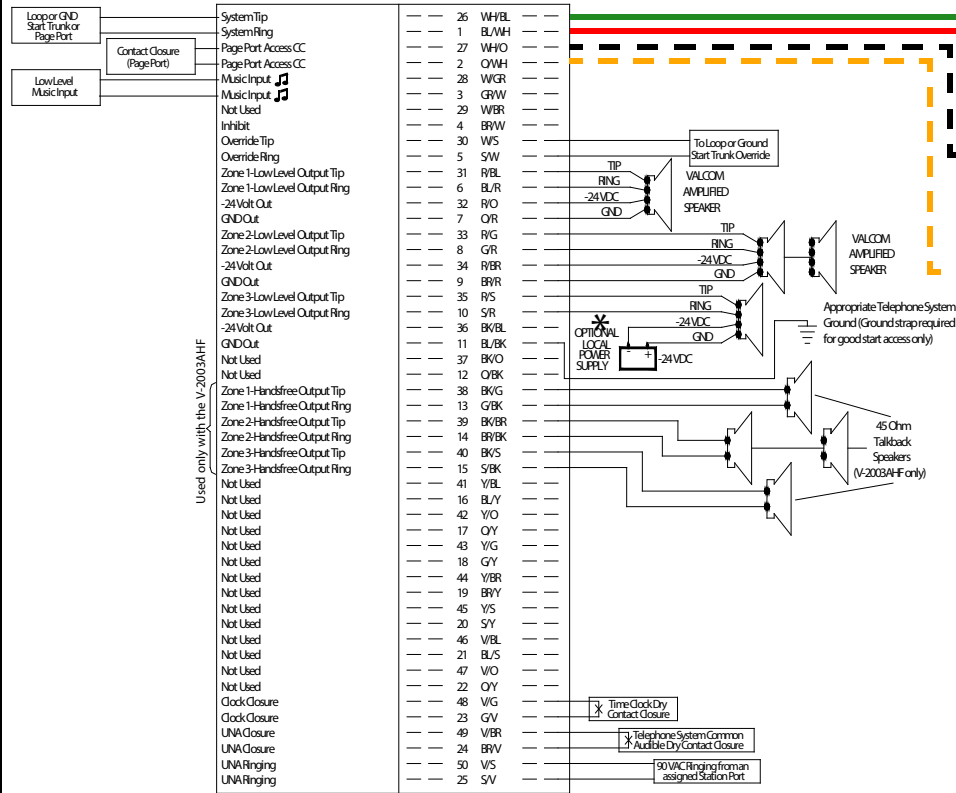
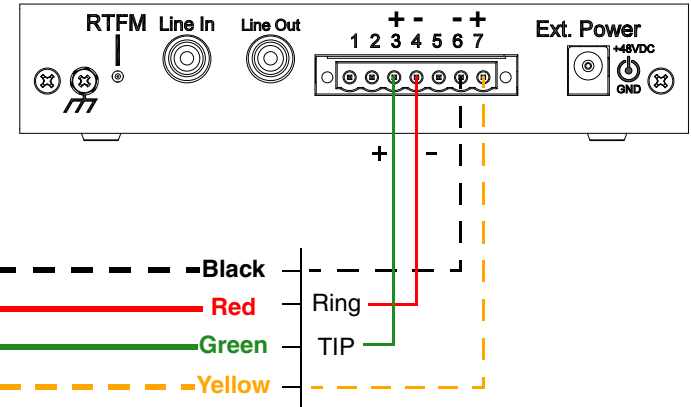


## Valcom V-2003A Amplifier



## SIP Paging Adapter Connections



## Page Port Output Connections

Pin	Description
1	Fault Sense Input (Common).
2	Fault Sense Input (Sense).
3	Positive 600-Ohm Audio Output <sup>a</sup>
4	Negative 600-Ohm Audio Output <sup>a</sup>
5	Audio Ground Reference.
6	Relay Contact - Common <sup>b</sup>
7	Relay Contact - Normally Open <sup>b</sup>

a. The 600-Ohm audio output of the page port is also suited for interfaces with lower input impedances.

b. 1 Amp at 30 VDC for continuous loads.

### Notes

CyberData SIP Paging Adapter's Page Port output connects to the Page Port input on the Valcom V-2003A Amplifier punch down block.

It will be necessary to use the SIP Paging Adapter's normally open relay contacts in addition to the Page Port connection to mute background music. Connect the normally open and common wires to the Page Port Access CC terminal posts per the diagram. Be sure to check **Enable relay on local audio** on the **Device Configuration** page of the web interface for contact closure on page.

On Valcom DIP switch SW3, set 10, 7, 4 in the **OFF** position (up position). SW2 in the **OFF** position.

2 conductor, shielded speaker wire is recommended.

Passing DTMF tones through the Page Port and RCA Line Level outputs is not supported when Buffer SIP Calls is enabled for delayed paging.