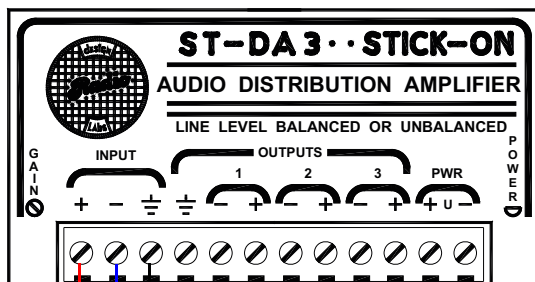
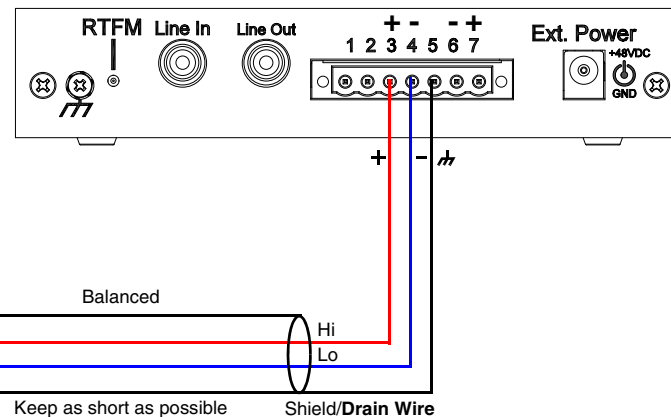


Radio Design Labs ST-DA3 Amplifier



SIP Paging Adapter Connections



SIP Paging Adapter Connections

Pin	Description
1	Fault Sense Input (Common).
2	Fault Sense Input (Sense).
3	Positive 600-Ohm Audio Output ^a
4	Negative 600-Ohm Audio Output ^a
5	Audio Ground Reference.
6	Relay Contact - Common ^b
7	Relay Contact - Normally Open ^b

Notes

CyberData Paging Adapter's Page Port can connect to the Radio Design Labs ST-DA3 Amplifier for a balanced 600 ohm connection.

2-conductor, shielded speaker wire is recommended.

a. The 600-Ohm audio output of the page port is also suited for interfaces with lower input impedances.

b. 1 Amp at 30 VDC for continuous loads.