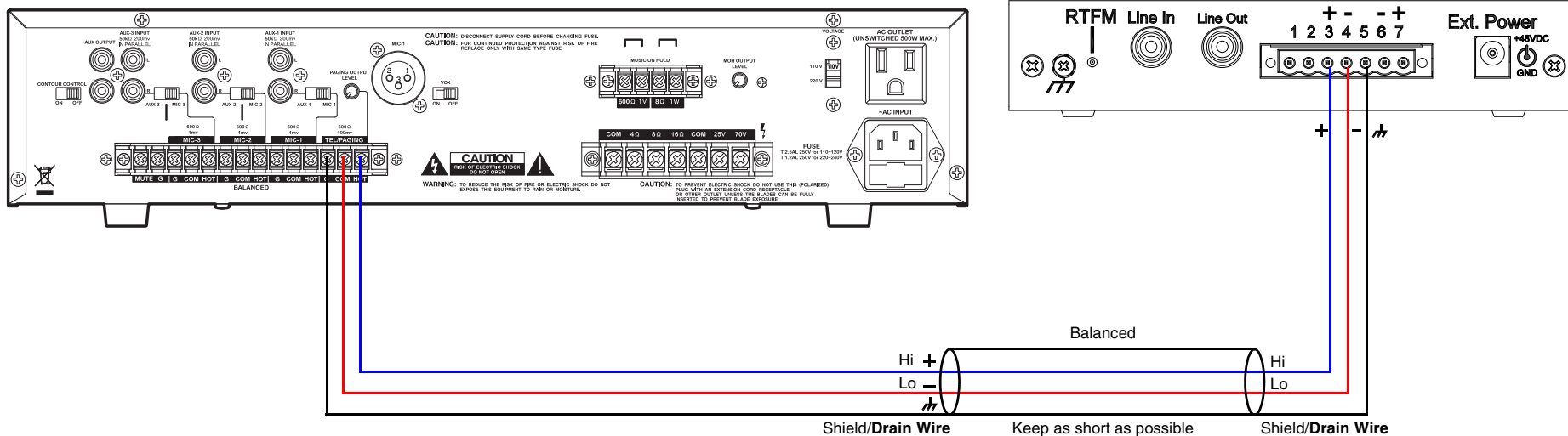


### Pyle Home PCM60A Amplifier

### Singlewire Paging Adapter Connections



#### Notes

CyberData SIP Paging Adapter's 600 Ohm Page Port output connects to the Balanced TEL/PAGING input terminals on the Pyle Home PCM60A Amplifier.

2 conductor, shielded speaker wire is recommended.