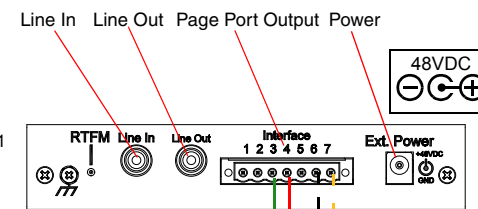


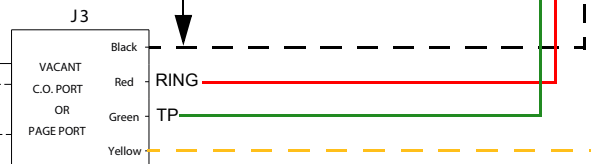
Valcom V-2001A Amplifier

NOTE: Battery Feed Switch
 ON - E-Key or PABX Loop
 Start Trunk Port Access
 OFF - Page Port Access

Singlewire Paging Adapter



BLACK and YELLOW
 CONTACT CLOSURE
 APPLY JUMPER ON RJ-11
 PRE-PAGE ALERT TONE
 BLOCK TO ENABLE
 PRE-PAGE ALERT ONE



V-2001A

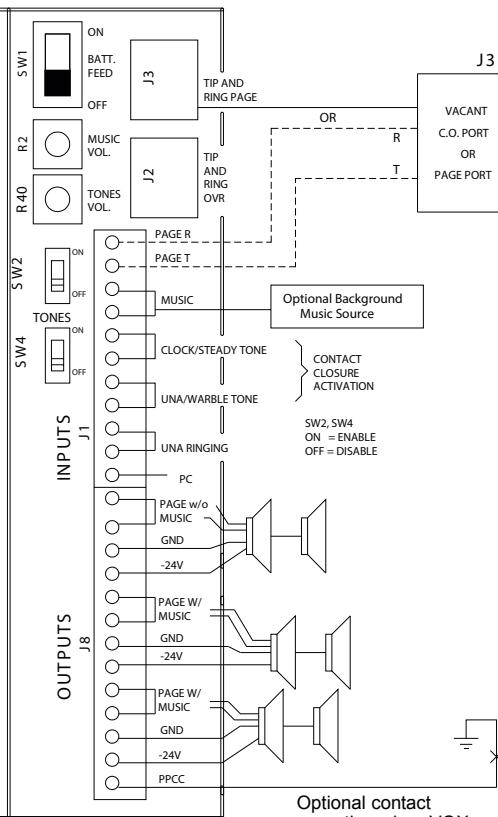
CAUTION:

VORSICHT:

DANGER:

PELIGRO:

WARNING: TO REDUCE THE RISK OF FIRE OR ELECTRIC SHOCK,
 DO NOT EXPOSE THIS EQUIPMENT TO RAIN OR MOISTURE.



Notes

CyberData Singlewire Paging Adapter's Page Port output connects to either the TIP AND RING PAGE (J3) using an RJ11 modular connector or the Page T and Page R inputs on the Valcom V-2001A Amplifier via a 2-wire connection to the terminal strip for single-zone paging.

It will be necessary to use the V3 Paging Server's normally open relay contacts in addition to the Page Port output for contact closure when connecting to J3.

Be sure to check Enable relay on local audio on the Device Configuration page of the web interface for contact