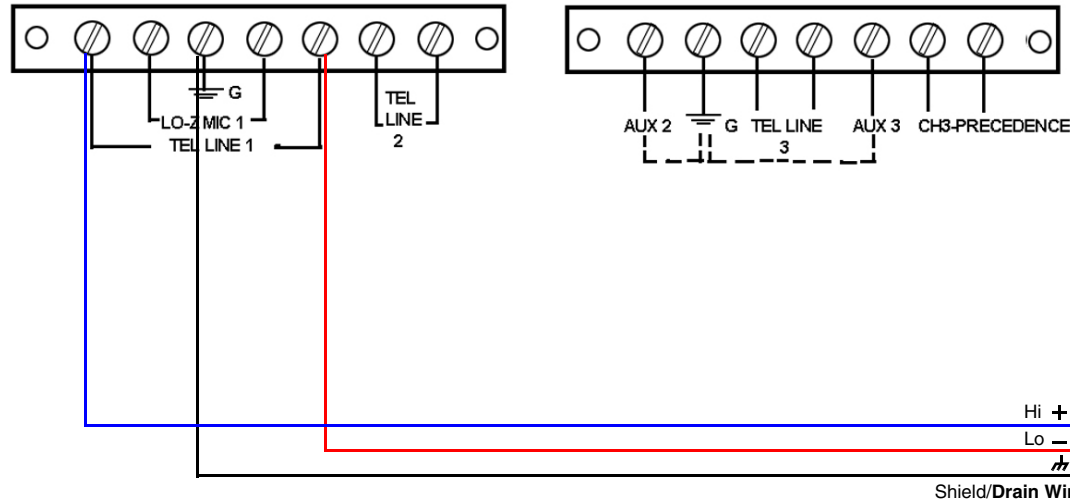
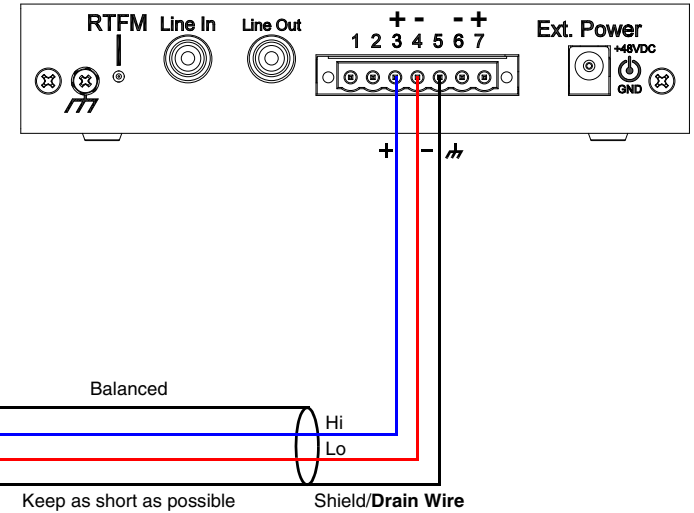


Bogen TU-35/60/100A Amplifier Terminal Strip Connections, All Models



V3 Paging Server Connections



Page Port Output Connections

Pin	Description
1	Fault Sense Input (Common).
2	Fault Sense Input (Sense).
3	Positive 600-Ohm Audio Output ^a
4	Negative 600-Ohm Audio Output ^a
5	Audio Ground Reference.
6	Relay Contact - Common ^b
7	Relay Contact - Normally Open ^b

a. The 600-Ohm audio output of the page port is also suited for interfaces with lower input impedances.

b. 1 Amp at 30 VDC for continuous loads.

Notes

The CyberData V3 Paging Server's 600 Ohm page port terminal strip connects to the TEL LINE input on the Bogen TU series.

2 conductor, shielded speaker wire is recommended.

The V3 Paging Server pins 6 & 7 can be connected to the Bogen CH3-Precedence terminals to mute Channel 3 during a page to channel 1 (or channel 2) by turning the Paging Server relay on during page. When using the relay, check the box to **Enable Relay on Local Audio** on the **Device Configuration** page of the web interface.