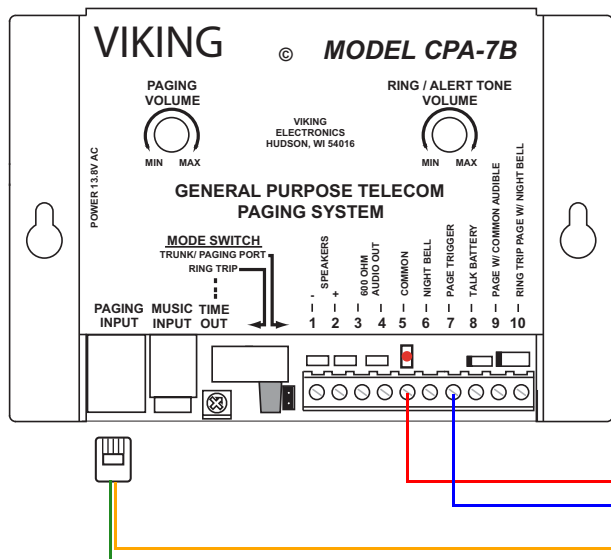
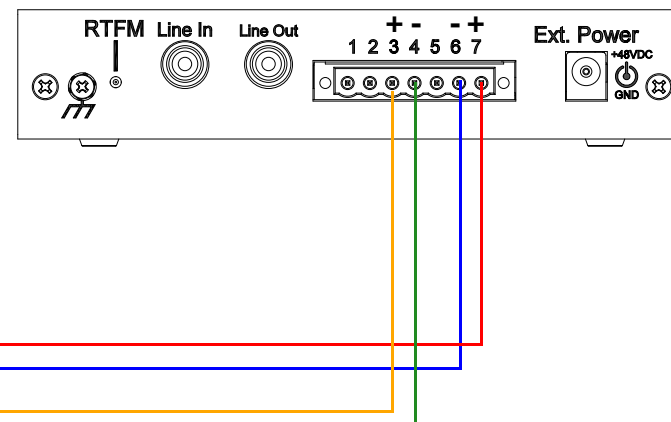


Viking CPA-7B Amplifier



Singlewire Paging Adapter Connections



Notes

The CyberData Singlewire Paging Adapter's Page Port output connects to the Paging Input on the Viking CPA-7B Amplifier using an RJ11 modular connector.

It will be necessary to use the Singlewire Paging Adapter's normally open relay contacts in addition to the Page Port (600 Ohms) audio output. When using the relay, check the box to **Enable Relay on Local Audio** on the **Device Configuration** page of the web interface.

Directly connect pins 6 and 7 of the Singlewire Paging Adapter's terminal block to pins 7 and 5 of the CPA-7B's terminal block, respectively.

Connect pins 3 and 4 of the Singlewire Paging Adapter's terminal block to the two center pins of the RJ11 modular connector. Plug the connector into the Paging Input on the CPA-7B amplifier.

2-conductor, shielded speaker wire is recommended

Page Port Connections

Pin	Description
1	Fault Sense Input (Common).
2	Fault Sense Input (Sense).
3	Positive 600-Ohm Audio Output ^a
4	Negative 600-Ohm Audio Output ^a
5	Audio Ground Reference.
6	Relay Contact - Common ^b
7	Relay Contact - Normally Open ^b

a. The 600-Ohm audio output of the page port is also suited for interfaces with lower input impedances.

b. 1 Amp at 30 VDC for continuous loads.