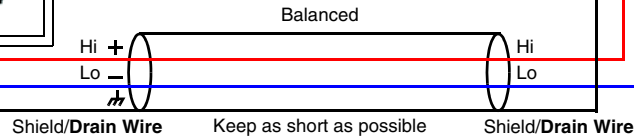
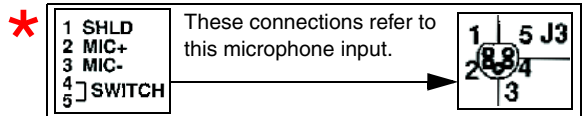
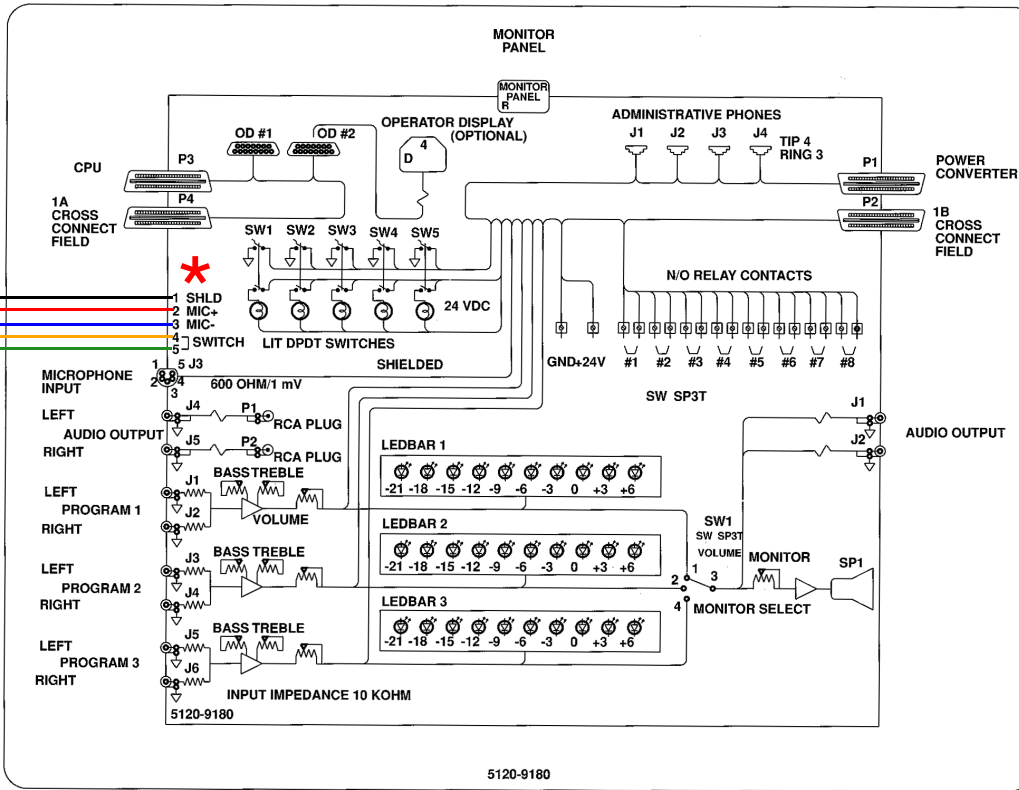
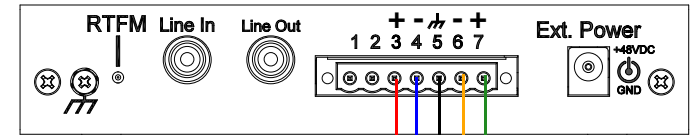


Valcom SimplexGrinnell S5120-9180 Program Distribution Panel



VoIP Paging Server Connections



Page Port Connections

| Pin | Description |
|-----|--|
| 1 | Fault Sense Input (Common). |
| 2 | Fault Sense Input (Sense). |
| 3 | Positive 600-Ohm Audio Output ^a |
| 4 | Negative 600-Ohm Audio Output ^a |
| 5 | Audio Ground Reference. |
| 6 | Relay Contact - Common ^b |
| 7 | Relay Contact - Normally Open ^b |

Notes

On the **Device** page of the user interface, the **Activate Relay on Local Audio** setting needs to be enabled.

2-conductor, shielded speaker wire is recommended.

a. The 600-Ohm audio output of the page port is also suited for interfaces with lower input impedances.

b. 1 Amp at 30 VDC for continuous loads.